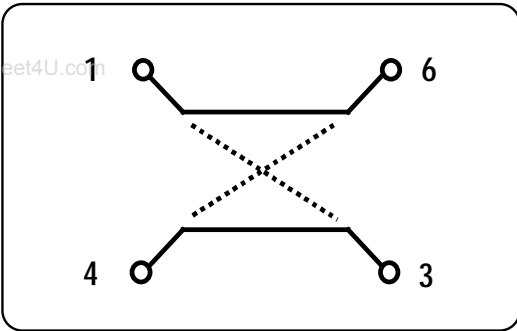


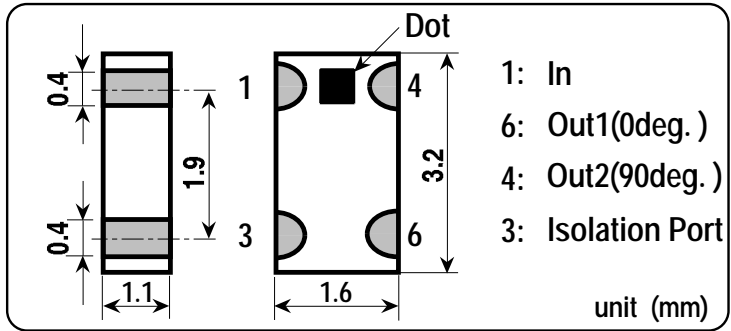
900 MHz Band Chip Multilayer 90deg. / 3dB Splitter

Model No. FSLC-090P

Equivalent Circuits



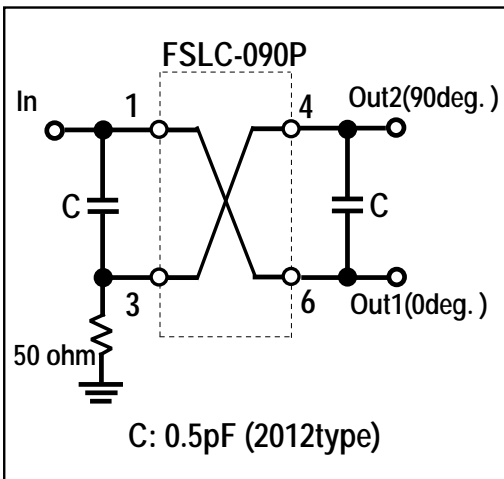
Shape & Size



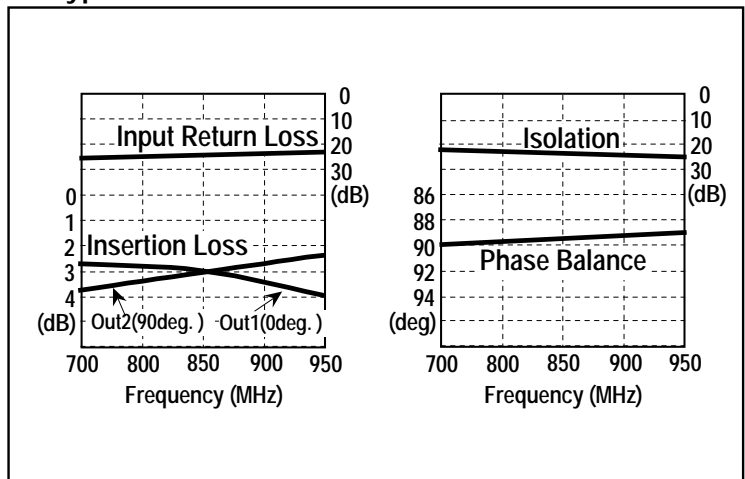
Specifications

Frequency Range(MHz)	Insertion Loss	Phase Balance	Return Loss	Isolation	Handling Power	Temperature Range
800-900	4.2dB Max including Splitting Loss	90 +/- 4deg.	14dB Min.	14dB Min.	5W Max.	-35 ~ +85 deg.C

Measurement Circuit



Typical Data



LC-FSLC-090P-0409A