

P/N	FSLC-C090U	DATE.	July/1/2004
DWN.	Y.Tanaka	DATA-No.	LC-FSLC-C090U-0407A

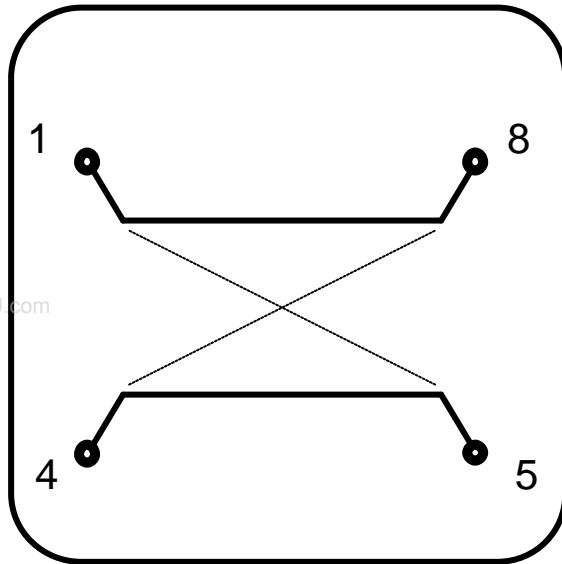
4532 Size

800-1000MHz Band
Chip Multilayer 90deg.3dB Splitter

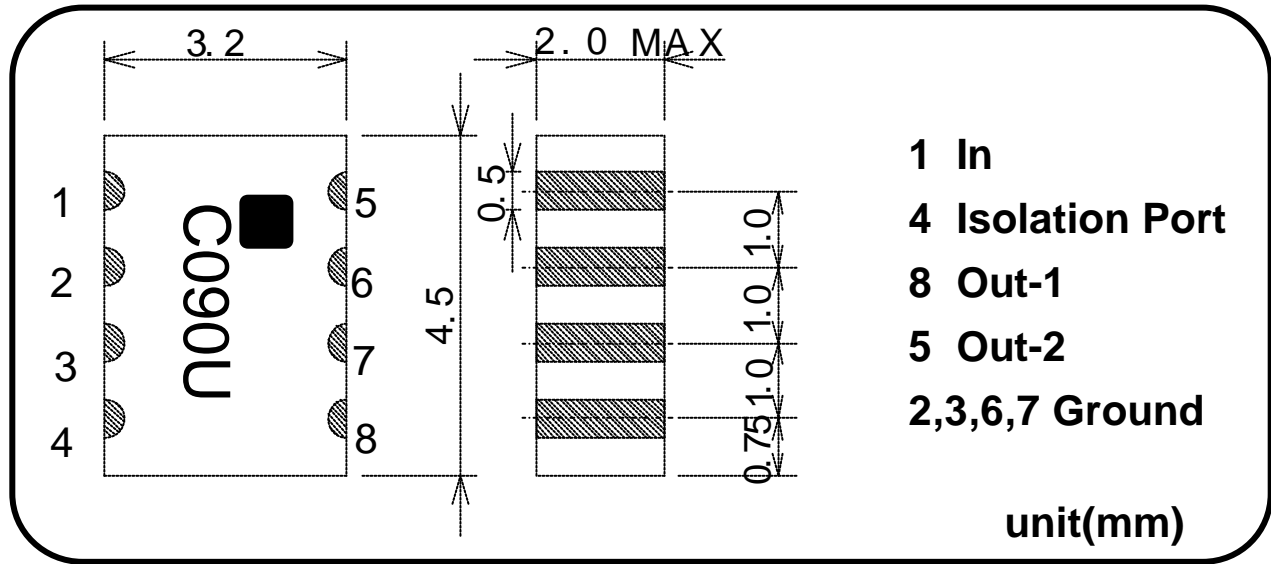
FSLC-C090U

P/N	FSLC-C090U	DATE.	July/1/2004
DWN.	Y.Tanaka	DATA-No.	LC-FSLC-C090U-0407A

Equivalent Circuits



Shape & Size



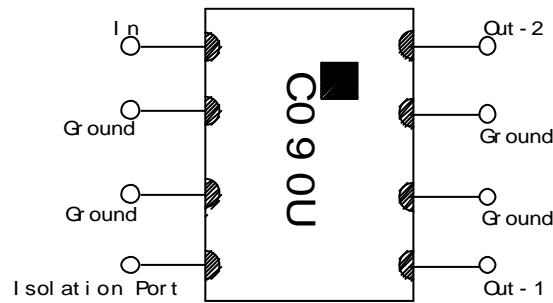
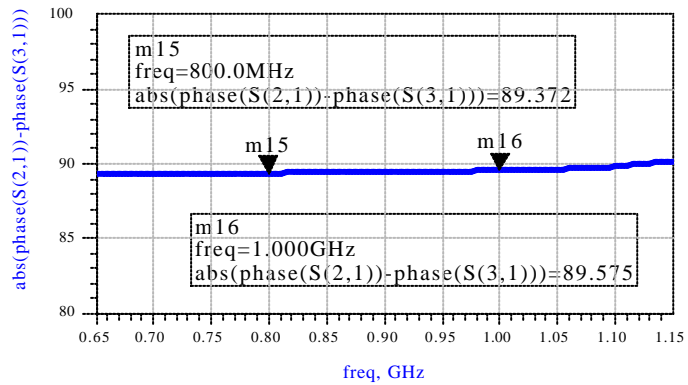
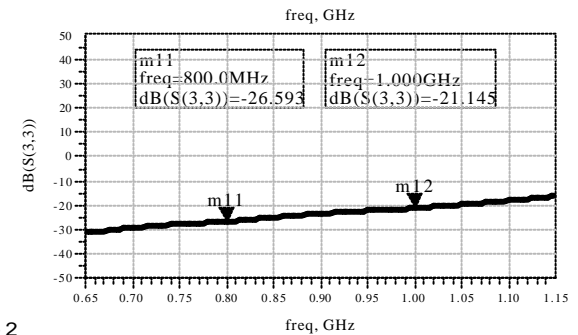
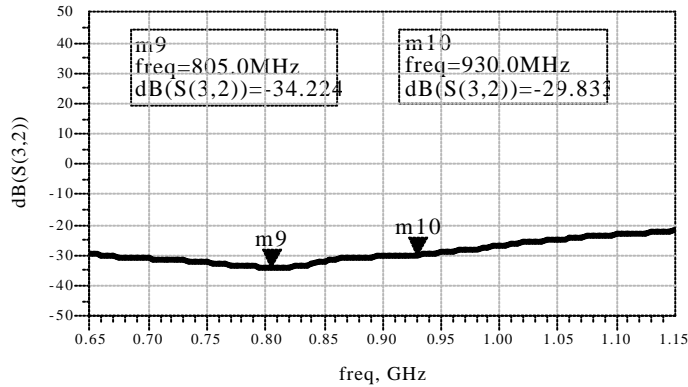
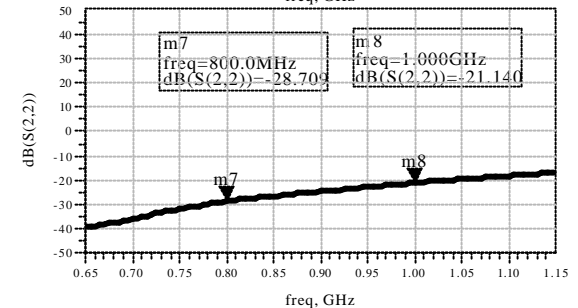
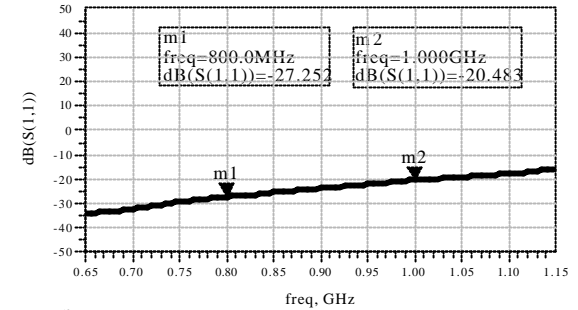
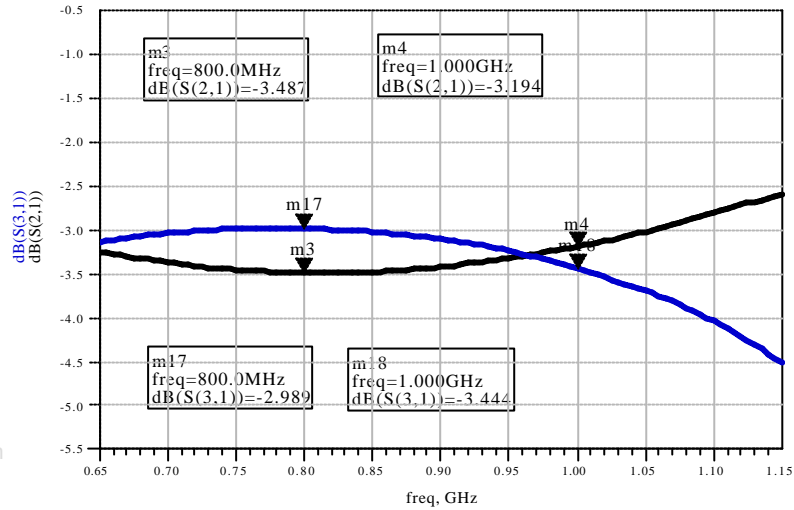
Specifications

Frequency Range(MHz)	Insertion Loss	Phase Imbalance	Return Loss	Isolation	Handling Power	Temperature Range
800-1000	4.0dB Max. including splitting Loss	90 +/- 5deg.	17dB Min.	20dB Min.	5W Max.	-35 to +85 deg.C

"All the technical data and information contained herein are subject to change without notice."

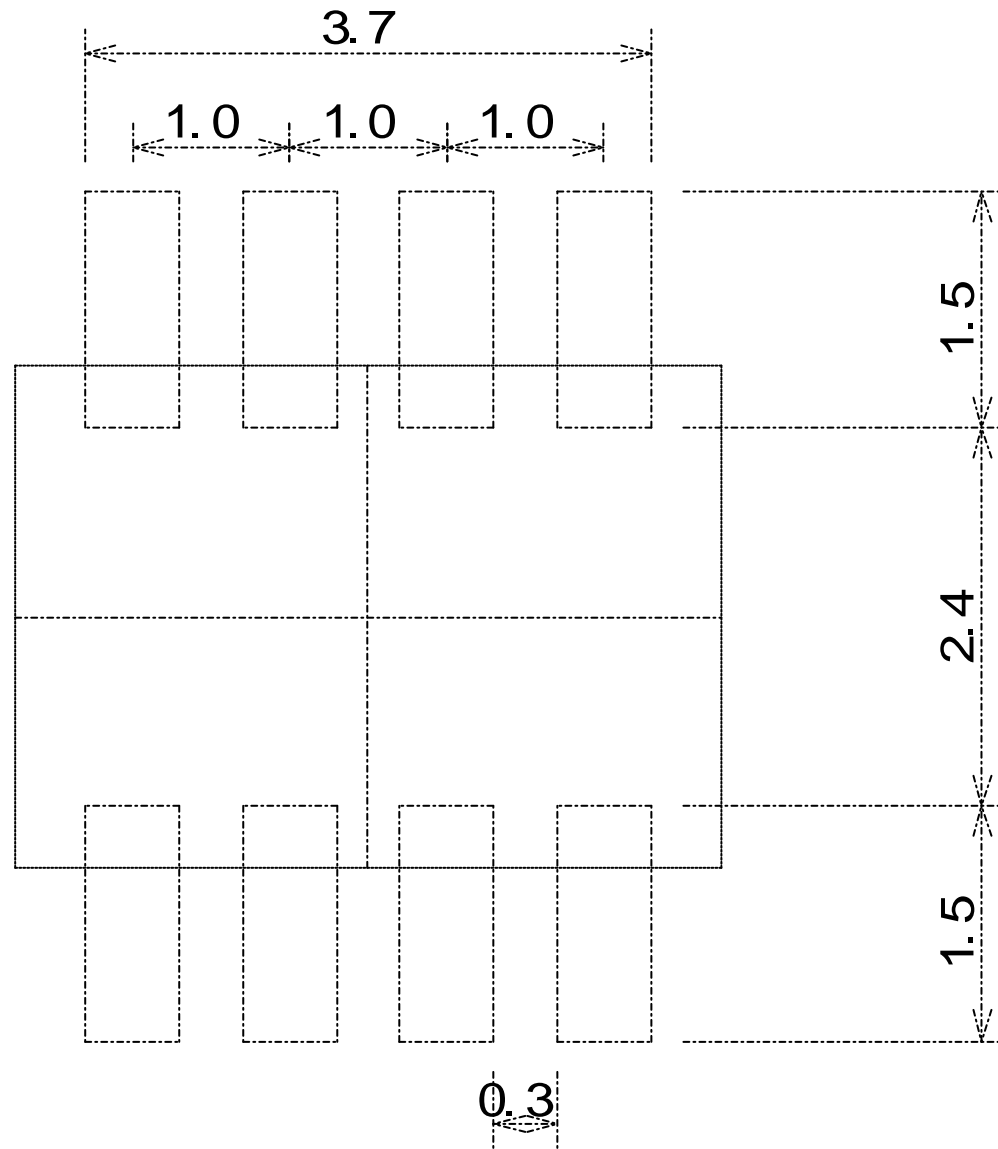
FSLC-C090U Sample Data

P/N	FSLC-C090U	DATE.	July/1/2004
DWN.	Y.Tanaka	DATA-No.	LC-FSLC-C090U-0407A



P/N	FSLC-C090U	DATE.	Jyly/1/2004
DWN.	Y.Tanaka	DATA-No.	LC-FSLC-C090U-0407A

Foot Pattern



www.DataSheet4U.com