

2012 Size

Chip Multilayer Coupler

FSLC-S170E

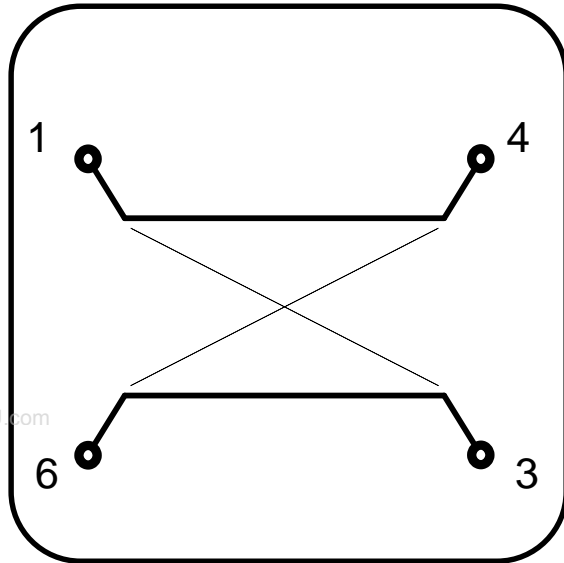
www.DataSheet4U.com

All the technical data and information contained herein are subject to change without notice.

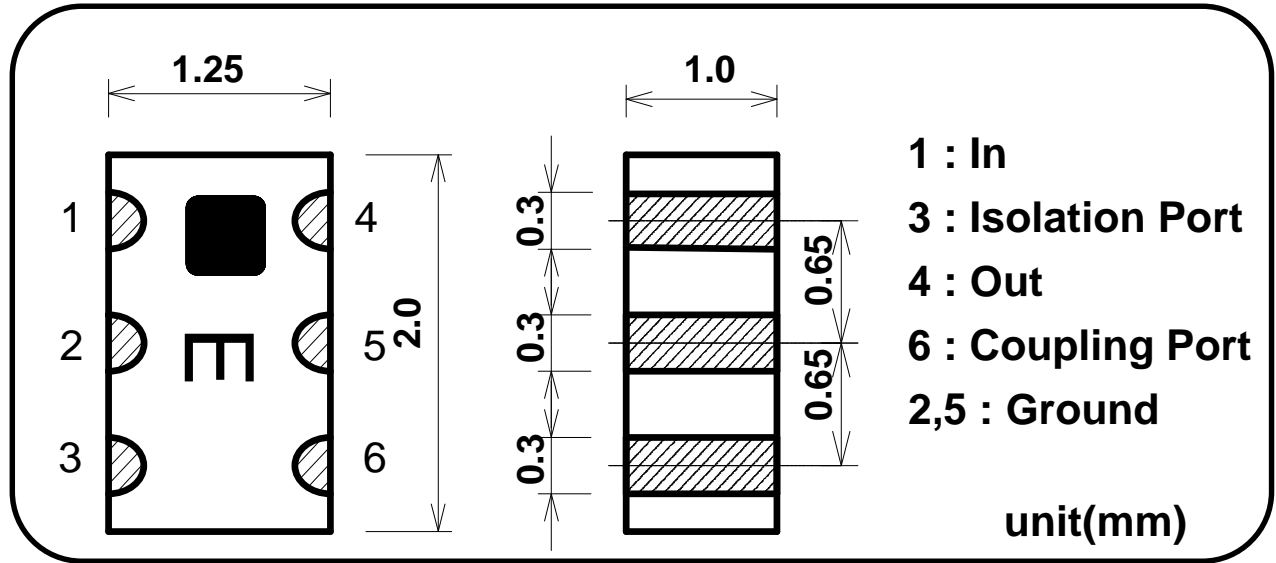


LC-FSLC-S170E-0408A
www.DataSheet4U.com

Equivalent Circuits



Shape & Size



Specifications

Part Name: FSLC-S170E

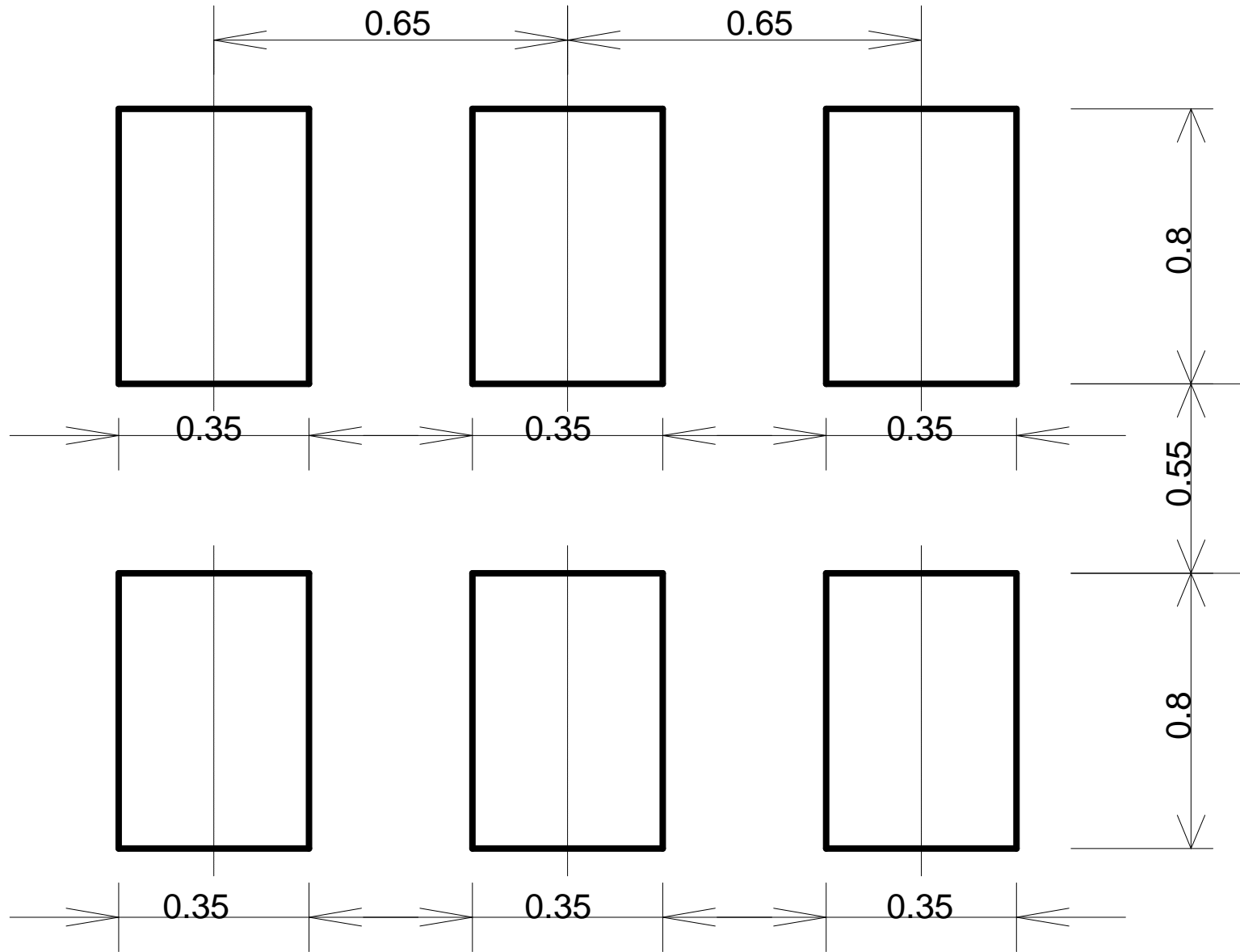
Frequency Range	Coupling	Insertion Loss	Isolation	Return Loss	Handling Power	Temperature Range
f1=935-960MHz f2=1710-1785MHz	26 +/- 2dB at f1 21 +/- 1dB at f2	0.3dB Max. at f1 0.5dB Max. at f2	30dB Typ.	17dB Min.	1W Max. (CW)	-35 to +85 deg.C

All the technical data and information contained herein are subject to change without notice.

LC-FSLC-S170E-0408A

www.DataSheet4U.com

FOOT PATTERN



www.DataSheet4U.com

All the technical data and information contained herein are subject to change without notice.