

2012 Size

Chip Multilayer Coupler

FSLC-S170N

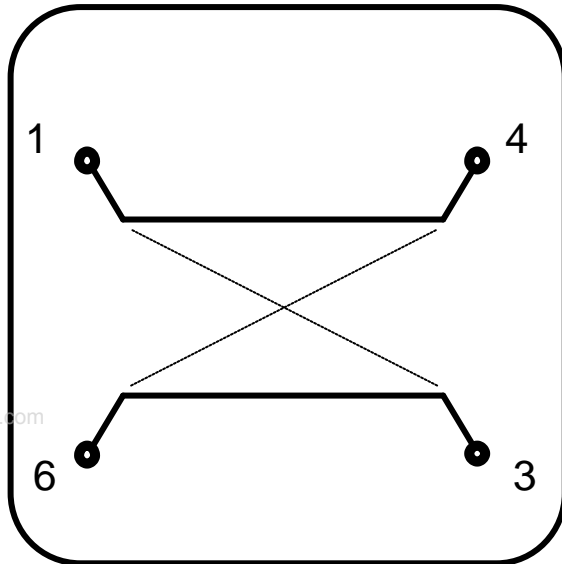
www.DataSheet4U.com

All the technical data and information contained herein are subject to change without notice.

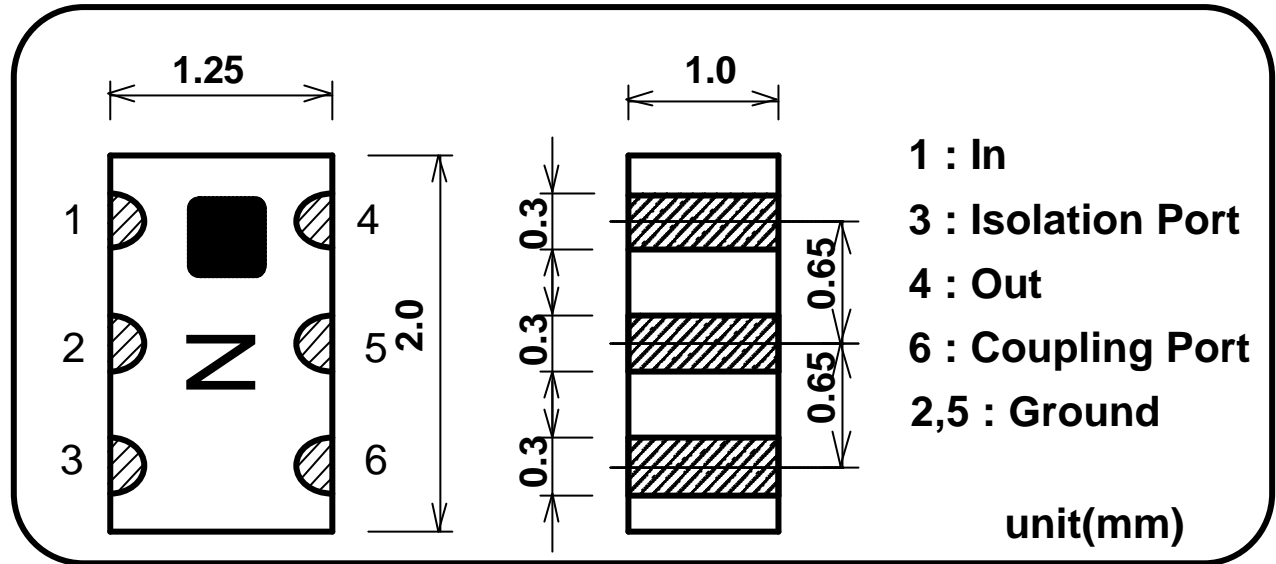


LC-FSLC-S170N-0410A  
www.DataSheet4U.com

## Equivalent Circuits



## Shape & Size



## Specifications

Part Name: FSLC-S170N

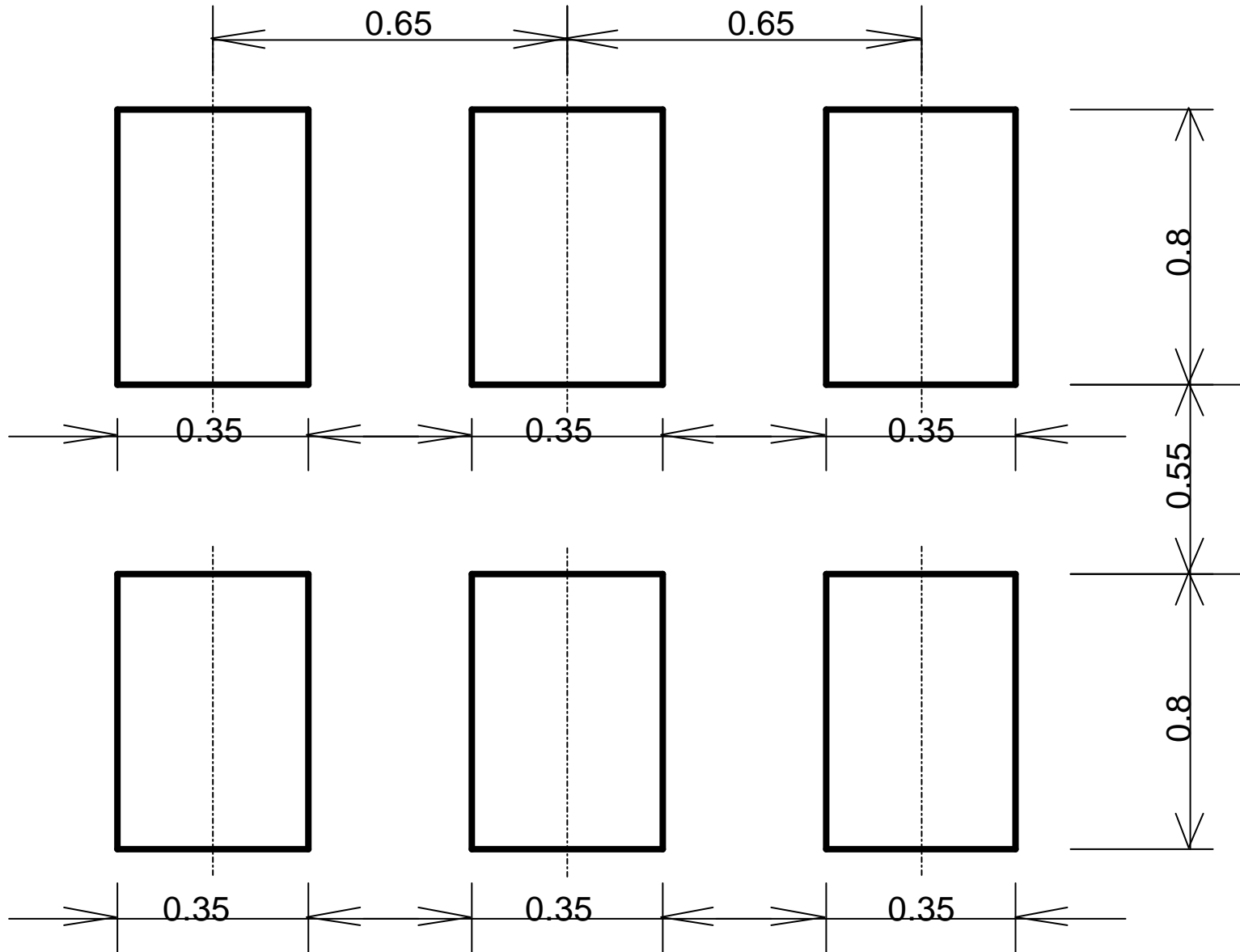
Frequency Range	Coupling	Insertion Loss	Isolation	Return Loss	Handling Power	Temperature Range
1710-1785MHz	14 +/- 1dB	0.6dB Max. (0.3dB Typ.)	27dB Typ.	20dB Min. (26dB Typ.)	1W Max. (CW)	-35 to +85 deg.C

All the technical data and information contained herein are subject to change without notice.

LC-FSLC-S170N-0410A

www.DataSheet4U.com

# FOOT PATTERN



www.DataSheet4U.com

All the technical data and information contained herein are subject to change without notice.

LC-FSLC-S170N-0410A  
www.DataSheet4U.com