

2012 Size

1850/1910 MHz Chip Multilayer Coupler

FSLC-S190N

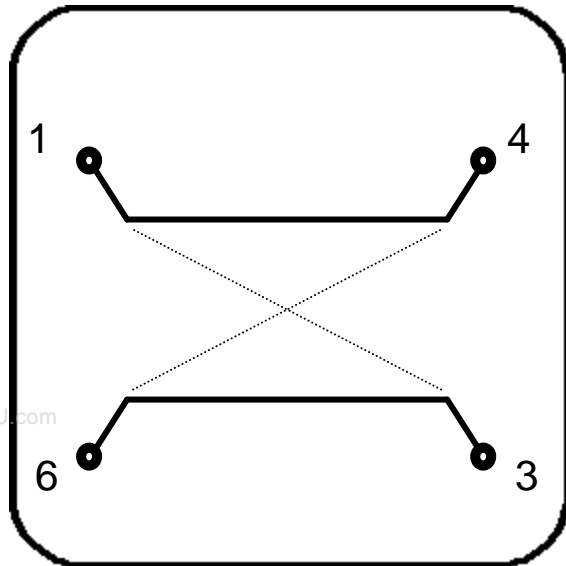
www.DataSheet4U.com

All the technical data and information contained herein are subject to change without notice.

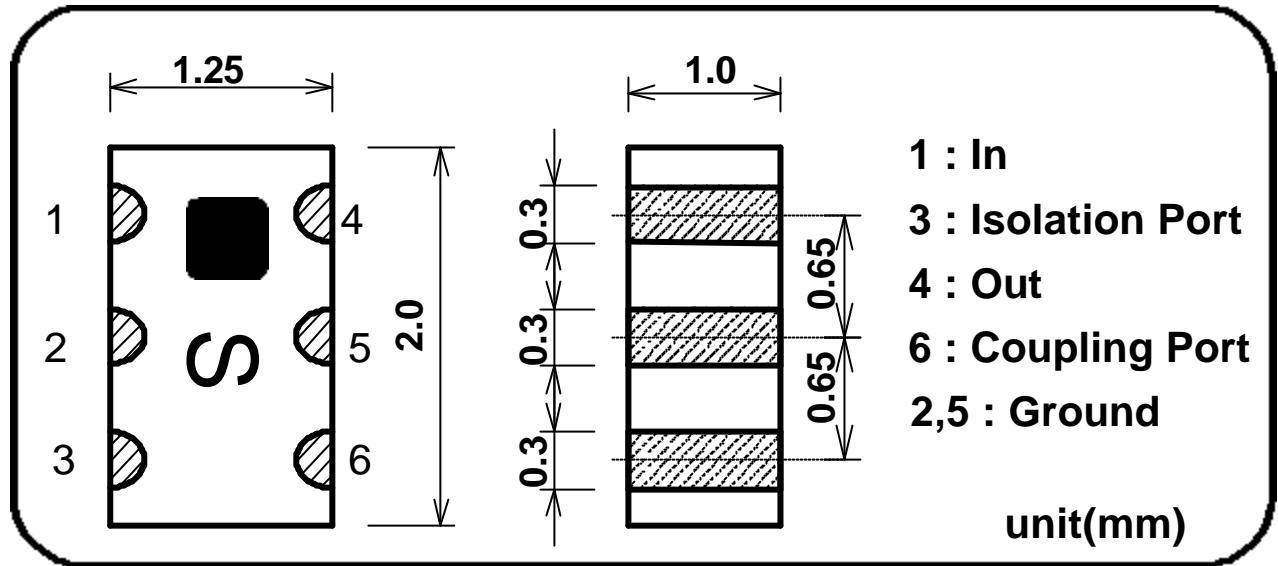


LC-FSLC-S190N-0406A
www.DataSheet4U.com

Equivalent Circuits



Shape & Size



Specifications

Part Name: FSLC-S190N

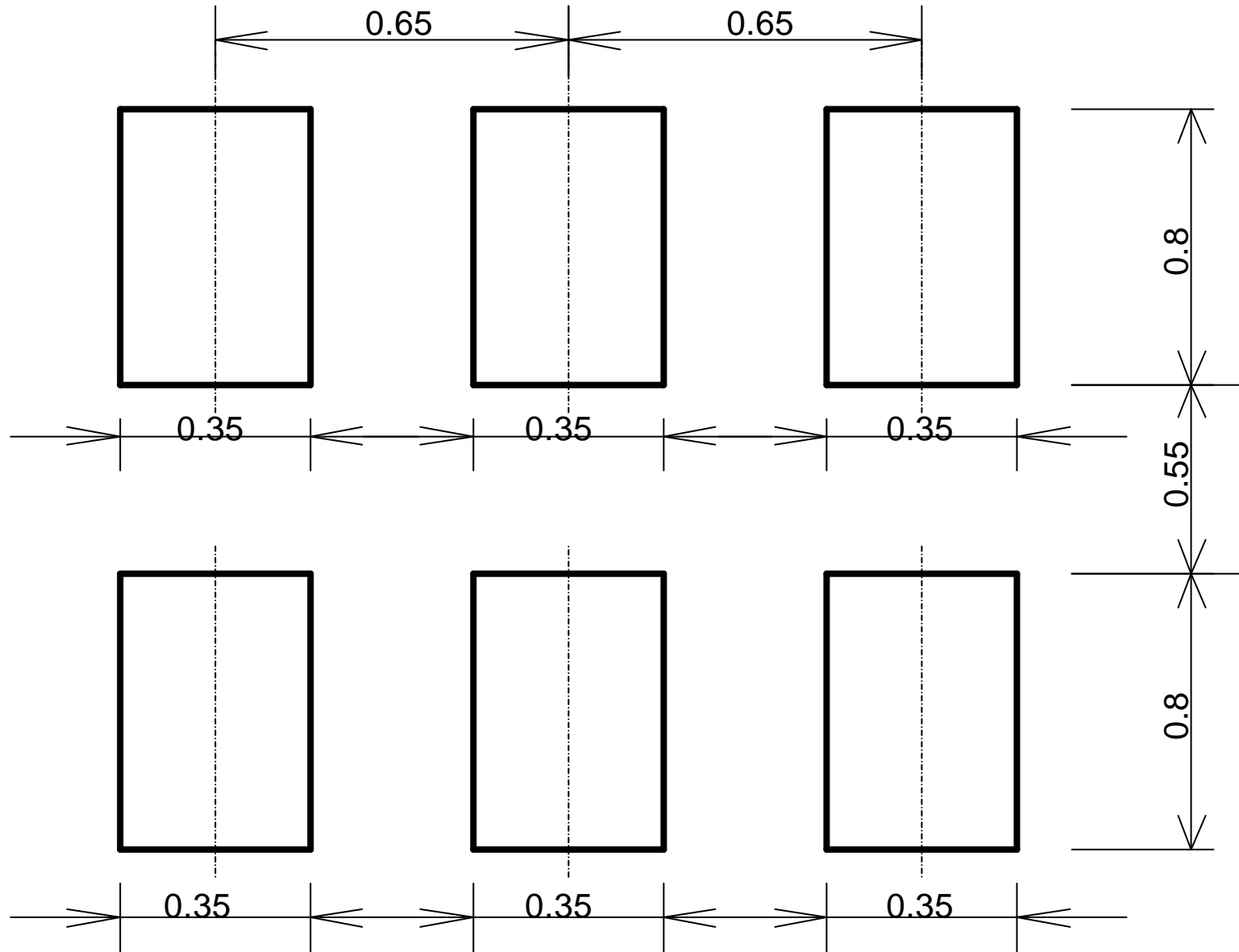
Frequency Range	Coupling	Insertion Loss	Isolation	Return Loss	Handling Power	Temperature Range
1850-1910MHz	14.5 +/- 1dB	0.6dB Max. (0.3dB Typ.)	25dB Typ.	17dB Min. (22dB Typ.)	1W Max. (CW)	-35 to +85 deg.C

All the technical data and information contained herein are subject to change without notice.

LC-FSLC-S190N-0406A

www.DataSheet4U.com

FOOT PATTERN



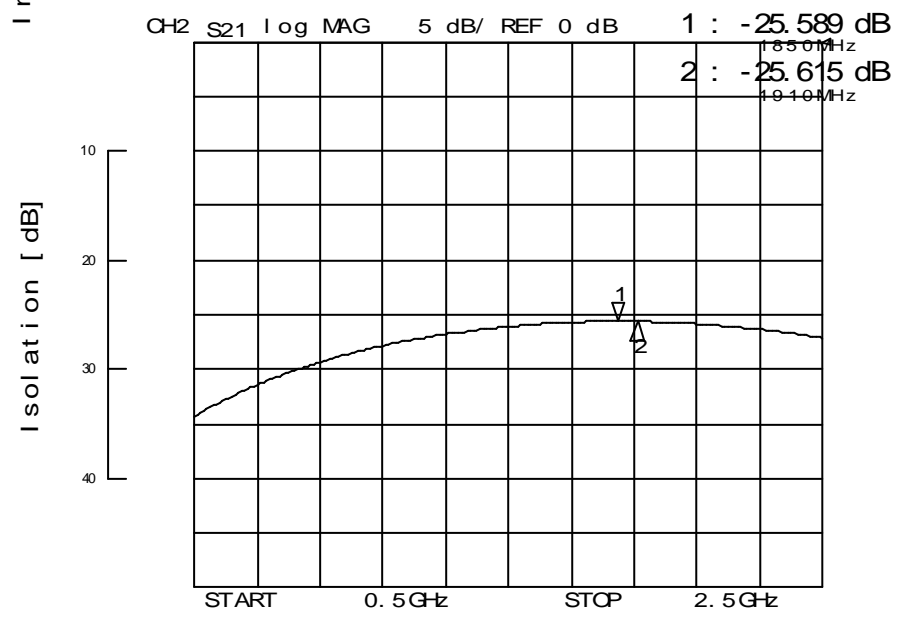
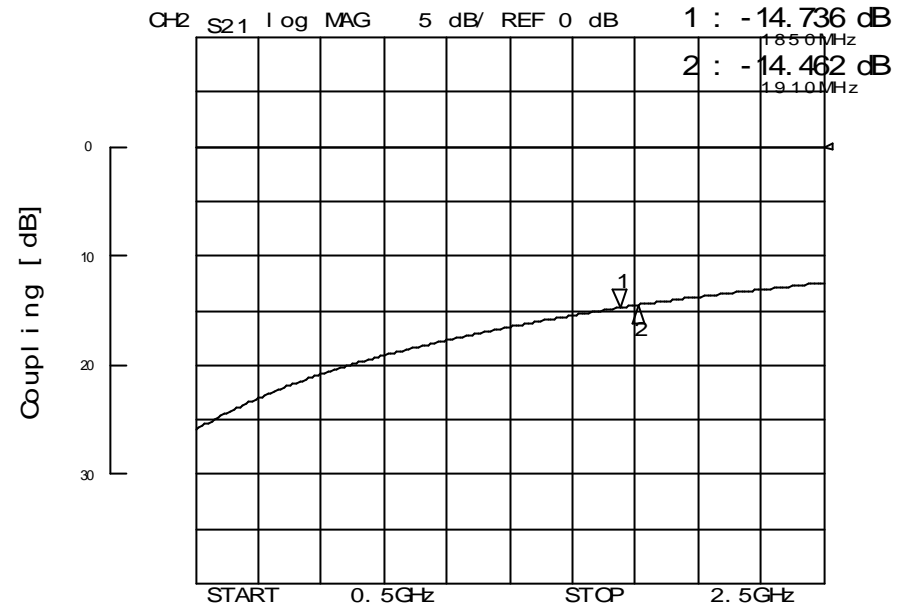
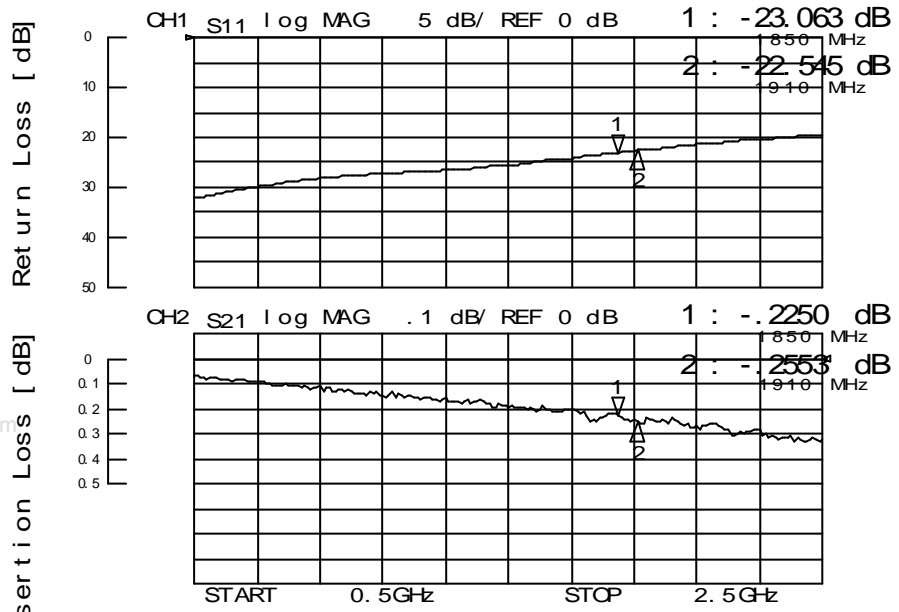
www.DataSheet4U.com

All the technical data and information contained herein are subject to change without notice.

LC-FSLC-S190N-0406A

www.DataSheet4U.com

FSLC-S190N Sample Data



1850/1910 MHz
Chip Multilayer Coupler "FSLC-S190N"

