

FSP3128
■ FEATURES

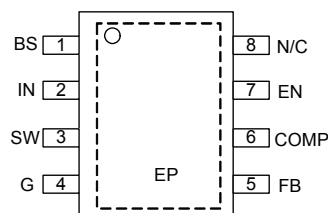
- 3A Output Current
- Up to 95% Efficiency
- 4.5V to 30V Input Range
- 6 μ A Shutdown Supply Current
- 400kHz Switching Frequency
- Adjustable Output Voltage
- Cycle-by-Cycle Current Limit Protection
- Thermal Shutdown Protection
- Internal Soft-Start Function
- Frequency Fold Back at Short Circuit
- Stability with Wide Range of Capacitors, Including Low ESR Ceramic Capacitors
- SOP8L/EP(Exposed Pad) Package

■ TYPICAL APPLICATION

- TFT LCD Monitors or Televisions and HDTV
- Portable DVD Players
- Car-Powered or Battery-Powered Equipment
- Set-Top Boxes
- Telecom Power Supplies
- DSL and Cable Modems and Routers

■ PIN ASSIGNMENT

(Top View)


■ PIN DESCRIPTION

Pin Number	Pin Name	Pin Description
1	BS	Bootstrap. This pin acts as the positive rail for the high-side switch's gate driver. Connect a 10nF between this pin and SW.
2	IN	Input Supply. Bypass this pin to G with a low ESR capacitor. See Input Capacitor in Application Information section.
3	SW	Switch Output. Connect this pin to the switching end of the inductor.
4	G	Ground.
5	FB	Feedback Input. The voltage at this pin is regulated to 1.222V. Connect to the resistor divider between the output and ground to set output voltage.
6	COMP	Compensation Pin. See Compensation Technique in Application information section.
7	EN	Enable Input. When higher than 1.3V, this pin turns the IC on. When lower than 0.7V, this pin turns the IC off. Output Voltage is discharged when the IC is off. This pin has a small internal pull up current to a high level voltage when pin is not connected.
8	N/C	Not Connected.
EP	EP	Exposed Pad shown as dashed box. The exposed thermal pad should be connected to board ground plane and pin 4. The ground plane should include a large exposed copper pad under the package for thermal dissipation. The leads and exposed pad should be flush with the board, without offset from the board surface.

■ ABSOLUTE MAXIMUM RATINGS(NOTE)

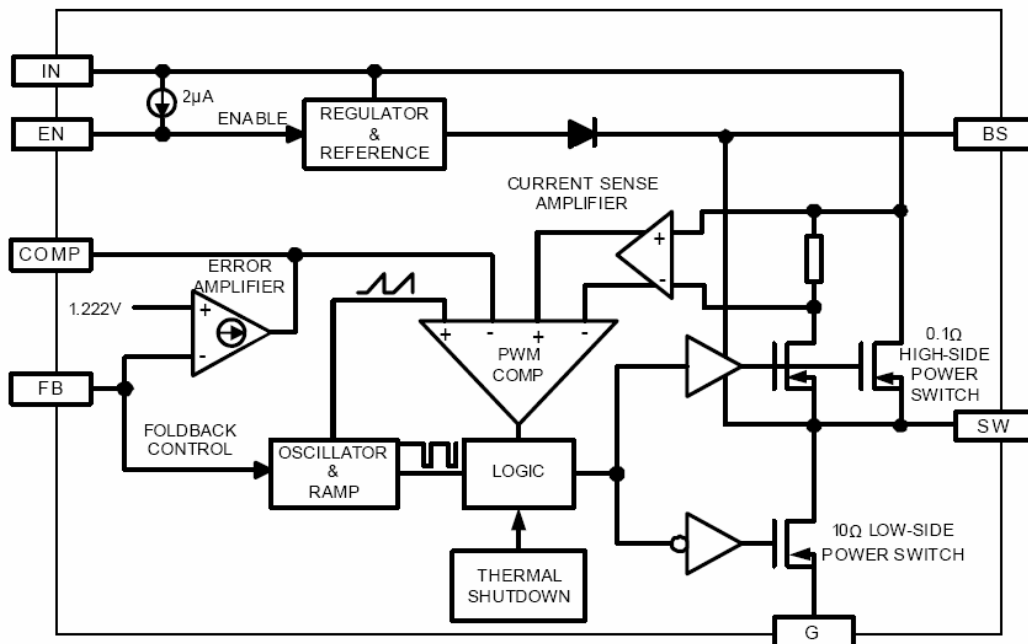
Parameter	Value	Unit
IN to G	-0.3 to +34	V
EN to G	-0.3 to $V_{IN} + 0.3$	V
SW to G	-1 to $V_{IN} + 1$	V
BS to SW	-0.3 to +8	V
FB, COMP to G	-0.3 to +6	V
Continuous SW Current	Internally limited	A
Junction to Ambient Thermal Resistance (θ_{JA})	46	°C/W
Maximum Power Dissipation	1.8	W
Operating Junction Temperature	-40 to 150	°C
Storage Temperature	-55 to 150	°C
Lead Temperature (Soldering, 10 sec)	300	°C

Note : Do not exceed these limits to prevent damage to the device. Exposure to absolute maximum rating conditions for long periods may affect device reliability.

■ ELECTRICAL CHARACTERISTICS

($V_{IN} = 12V$, $T_A = 25^\circ C$, unless otherwise specified.)

Parameter	Symbol	Test Conditions	Min.	Typ.	Max.	Unit
Input Voltage	V_{IN}	$V_{OUT} = 2.5V$, $I_{LOAD} = 0A$ to $3A$	4.5		30	V
Feedback Voltage	V_{FB}		1.198	1.222	1.246	V
High-Side Switch On Resistance	R_{ONH}			100		m Ω
Low-Side Switch On Resistance	R_{ONL}			10		Ω
SW Leakage		$V_{EN} = 0V$, $V_{IN} = 12V$, $V_{SW} = 0$		0	10	μA
Current Limit	I_{LIM}		3.5	5		A
COMP to Current Limit Transconductance	G_{COMP}	$\Delta I_{LOAD} / \Delta I_{COMP}$		3		A/V
Error Amplifier Transconductance	G_{EA}	$\Delta I_{COMP} = \pm 10\mu A$		550		$\mu A/V$
Error Amplifier DC Gain	A_{VEA}			4000		V/V
Switching Frequency	f_{SW}		340	400	460	KHz
Short Circuit Switching Frequency		$V_{FB} = 0$		40		KHz
Maximum Duty Cycle	D_{MAX}	$V_{FB} = 1.1V$, PWM mode		90		%
Minimum Duty Cycle	D_{MIN}	$V_{FB} = 1.4V$, PFM mode		0		%
Enable Threshold Voltage		Hysteresis = 0.1V	0.7	1	1.3	V
Enable Pull Up Current		Pin pulled up to V_{IN} when left unconnected		2		μA
Supply Current in Shutdown		$V_{EN} = 0$		6	20	μA
IC Supply Current in Operation		$V_{EN} = 3V$, not switching		0.85	2	mA
Thermal Shutdown Temperature		Hysteresis = 10°C		160		°C

FUNCTIONAL BLOCK DIAGRAM

FUNCTIONAL DESCRIPTION

As seen in the Functional Block Diagram, the FSP3128 is a current mode pulse width modulation (PWM) converter. The converter operates as follows :

A switching cycle starts when the rising edge of the Oscillator clock output causes the High-Side Power Switch to turn on and the Low-Side Power Switch to turn off. With the SW side of the inductor now connected to IN, the inductor current ramps up to store energy in its magnetic field. The inductor current level is measured by the Current Sense Amplifier and added to the Oscillator ramp signal. If the resulting summation is higher than the COMP voltage, the output of the PWM Comparator goes high. When this happens or when Oscillator clock output goes low, the High-Side Power Switch turns off and the Low-Side Power Switch turns on. At this point, the SW side of the inductor swings to a diode voltage below ground, causing the inductor current to decrease and magnetic energy to be transferred to the output. This state continues until the cycle starts again.

The High-Side Power Switch is driven by logic using the BS bootstrap pin as the positive rail. This pin is charged to $V_{SW} + 6V$ when the Low-Side Power Switch turns on.

The COMP voltage is the integration of the error between the FB input and the internal 1.222V reference. If FB is lower than the reference voltage, COMP tends to go higher to increase current to the output. Current limit happens when COMP reaches its maximum clamp value of 2.65V.

The Oscillator normally switches at 400kHz. However, if the FB voltage is less than 0.7V, then the switching frequency decreases until it reaches a typical value of 40kHz at $V_{FB} = 0V$.

Shutdown Control

The FSP3128 has an enable input EN for turning the IC on or off. When EN is less than 0.7V, the IC is in 6µA low current shutdown mode and the output is discharged through the Low-Side Power Switch. When EN is higher than 1.3V, the IC is in normal operation mode. EN is internally pulled up with a 2µA current source and can be left unconnected for always-on operation.

Thermal Shutdown

The FSP3128 automatically turns off when its junction temperature exceeds 160°C and then restarts once the temperature falls to 150°C.

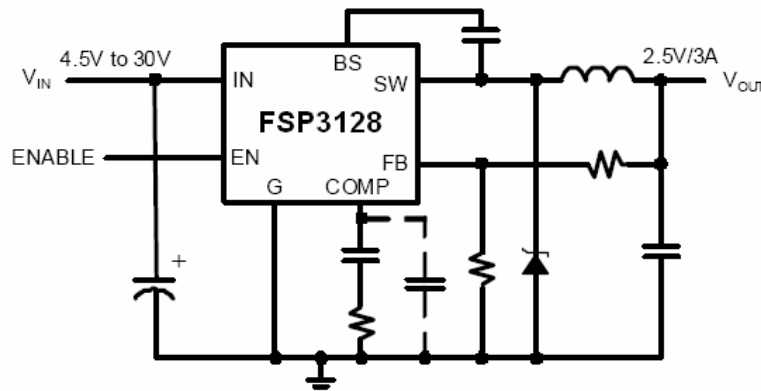
■ TYPICAL APPLICATION CIRCUIT

■ APPLICATION INFORMATION
Output Voltage Setting

Figure 1 shows the connections for setting the output voltage. Select the proper ratio of the two feedback resistors R_{FB1} and R_{FB2} based on the output voltage. Typically, use $R_{FB2} \approx 10k\Omega$ and determine R_{FB1} from the output voltage:

$$R_{FB1} = R_{FB2} \left(\frac{V_{OUT}}{1.222V} - 1 \right)$$

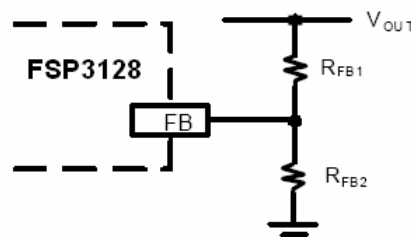


Figure 1 Output Voltage Setting

Inductor Selection

The inductor maintains a continuous current to the output load. This inductor current has a ripple that is dependent on the inductance value: higher inductance reduces the peak-to-peak ripple current. The trade off for high inductance value is the increase in inductor core size and series resistance, and the reduction in current handling capability. In general, select an inductance value L based on ripple current requirement.

$$L = \frac{V_{OUT} \cdot (V_{IN} - V_{OUT})}{V_{IN} f_{SW} I_{OUTMAX} K_{RIPPLE}}$$

where V_{IN} is the input voltage, V_{OUT} is the output voltage, f_{SW} is the switching frequency, I_{OUTMAX} is the maximum output current, and K_{RIPPLE} is the ripple factor. Typically, choose $K_{RIPPLE} =$ between 20% and 30% to correspond to the peak-to-peak ripple current being a percentage of the maximum output current. With this inductor value (Table 1), the peak inductor current is $I_{OUT} \cdot (1 + K_{RIPPLE} / 2)$. Make sure that this peak inductor current is less than the 5A current limit. Finally, select the inductor core size so that it does not saturate at 5A.

V_{OUT}	1.5V	1.8V	2.5V	3.3V	5V
L	6.8 μ H	6.8 μ H	6.8 μ H	8.5 μ H	15 μ H

Table 1: Typical Inductor Values

Input Capacitor

The input capacitor needs to be carefully selected to maintain sufficiently low ripple at the supply input of the converter. A low ESR capacitor is highly recommended. Since a large current flows in and out of this capacitor during switching, its ESR also affects efficiency.

The input capacitance needs to be higher than 10 μ F. The best choice is the ceramic type, however, low ESR tantalum or electrolytic types may also be used provided that the RMS ripple current rating is higher than 50% of the output current. The input capacitor should be placed close to the IN and G pins of the IC, with shortest possible traces. In the case of tantalum or electrolytic types, they can be further away if a small parallel 0.1 μ F ceramic capacitor is placed right next to the IC.

Output Capacitor

The output capacitor also needs to have low FSR to keep low output voltage ripple. The output ripple voltage is:

$$R_{\text{RIPPLE}} = L_{\text{OUTMAX}} K_{\text{RIPPLE}} R_{\text{ESR}} + \frac{V_{\text{IN}}}{28 f_{\text{SW}}^2 L C_{\text{OUT}}}$$

where I_{OUTMAX} is the maximum output current, K_{RIPPLE} is the ripple factor, R_{ESR} is the ESR resistance of the output capacitor, f_{SW} is the switching frequency, L is the inductor value, C_{OUT} is the output capacitance.

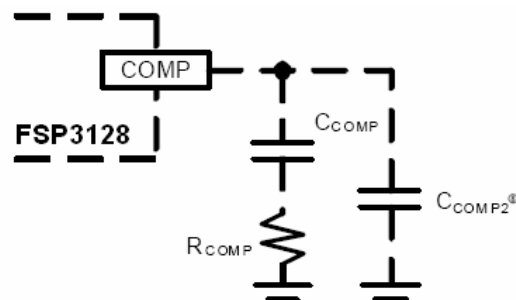
In the case of ceramic output capacitors, R_{ESR} is very small and does not contribute to the ripple. Therefore, a lower capacitance value can be used for ceramic type, typically choose a capacitance of about 22 μ F.

In the case of tantalum or electrolytic type, the ripple is dominated by R_{ESR} multiplied by the ripple current. In that case, the output capacitor is chosen to have sufficiently low due to ESR, typically choose a capacitor with less than 50m Ω ESR.

Rectifier Diode

Use a Schottky diode as the rectifier to conduct current when the High-Side Power Switch is off. The Schottky diode must have current rating higher than the maximum output current and the reverse voltage rating higher than the maximum input voltage.

Stability Compensation



C_{COMP2} is needed only for high ESR output capacitor

Figure 2: Stability compensation

The feedback system of the IC is stabilized by the components at COMP pin, as shown in Figure 2. The DC loop gain of the system is determined by the following equation:

$$A_{\text{VDC}} = \frac{1.222 V}{I_{\text{OUT}}} A_{\text{VEA}} G_{\text{COMP}}$$

The dominant pole P1 is due to C_{COMP}

$$f_{\text{P1}} = \frac{G_{\text{EA}}}{2\pi A_{\text{VEA}} C_{\text{COMP}}}$$

The second pole P2 is the output pole:

$$f_{\text{P2}} = \frac{I_{\text{OUT}}}{2\pi V_{\text{OUT}} C_{\text{OUT}}}$$

The first zero Z1 is due R_{COMP} and C_{COMP}

$$f_{\text{Z1}} = \frac{1}{2\pi R_{\text{COMP}} C_{\text{COMP}}}$$

And finally, the third pole is due to R_{COMP} and C_{COMP2} (if C_{COMP2} is used):

$$f_{P3} = \frac{1}{2\pi R_{COMP} C_{COMP2}}$$

Follow the following steps to compensate the IC:

STEP1. Set the cross over frequency at 1/10 of the switching frequency via R_{COMP} :

$$R_{COMP} = \frac{2\pi V_{OUT} C_{OUT} f_{SW}}{10 G_{EA} G_{COMP} 1.222V}$$

$$= 1.25 \times 10^8 V_{OUT} C_{OUT} \quad (\Omega)$$

but limit R_{COMP} to 15k Ω maximum.

STEP2. Set the zero f_{Z1} at 1/4 of the cross over frequency. If R_{COMP} is less than 15k Ω , the equation for C_{COMP} is:

$$C_{COMP} = \frac{1.6 \times 10^{-5}}{R_{COMP}} \quad (F)$$

If R_{COMP} is limited to 15k Ω , then the actual cross over frequency is $4.8/(V_{OUT} C_{OUT})$. Therefore:

$$C_{COMP} = 8.8 \times 10^{-6} V_{OUT} C_{OUT} \quad (F)$$

STEP3. If the output capacitor's ESR is high enough to cause a zero at lower than 4 times the cross over frequency, an additional compensation capacitor C_{COMP2} is required. The condition for using C_{COMP2} is:

$$R_{ESROUT} \geq \text{Min} \left(\frac{1.1 \times 10^{-6}}{C_{OUT}}, 0.012 V_{OUT} \right) \quad (\Omega)$$

And the proper value for C_{COMP2} is:

$$C_{COMP2} = \frac{C_{OUT} R_{ESROUT}}{R_{COMP}}$$

Though C_{COMP2} is unnecessary when the output capacitor has sufficiently low ESR, a small value C_{COMP2} such as 220pF may improve stability against PCB layout parasitic effects.

Table 2 shows some calculated results based on the compensation method above.

V_{OUT}	C_{OUT}	R_{COMP}	C_{COMP}	C_{COMP2}
1.8V	22 μ F Ceramic	4k Ω	3.3nF	220pF
2.5V	22 μ F Ceramic	5.6k Ω	3.3nF	220pF
5V	22 μ F Ceramic	12k Ω	1.5nF	220pF
1.8V	100 μ F SP CAP	15k Ω	1.5nF	220pF
2.5V	100 μ F SP CAP	15k Ω	2.2nF	220pF
5V	100 μ F SP CAP	15k Ω	4.7nF	220pF

Table 2: Typical Compensation for Different Output voltages and Output Capacitors

Figure 3 shows a sample FSP3128 application circuit generating a 2.5V/3A output.

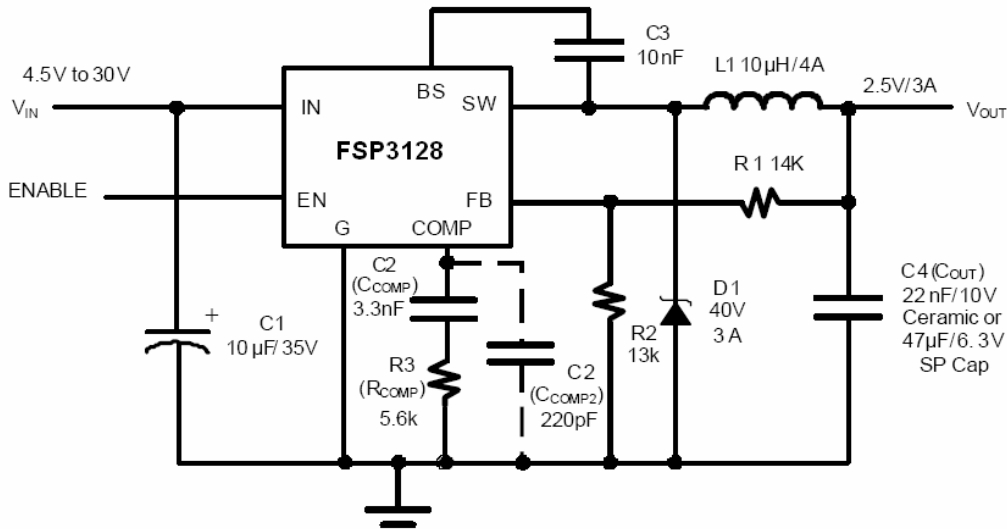
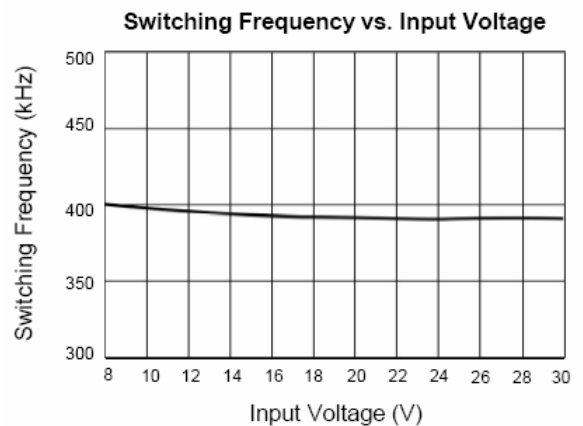
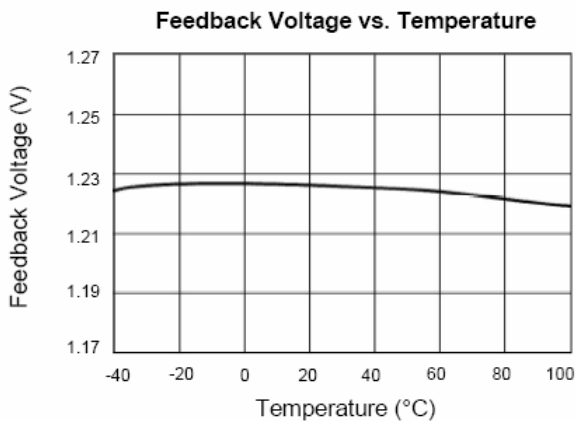
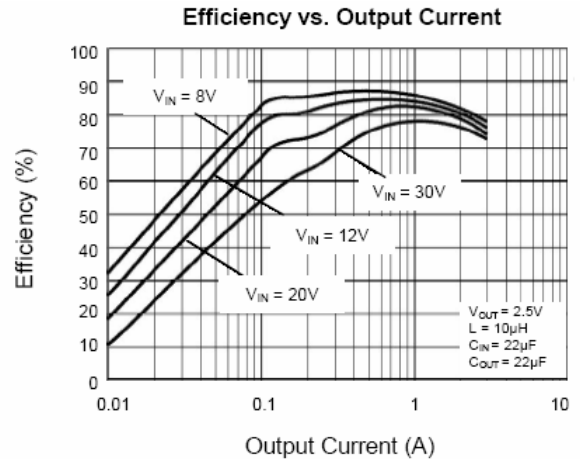
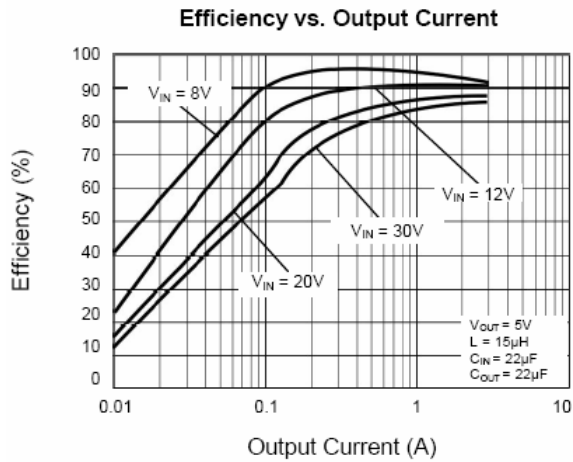


Figure 3: FSP3128 2.5V/3A Output Application

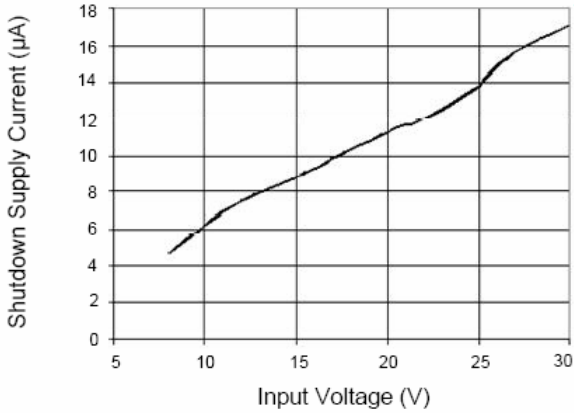
■ TYPICAL CHARACTERISTICS

(Circuit of Figure 3, Unless other specified)

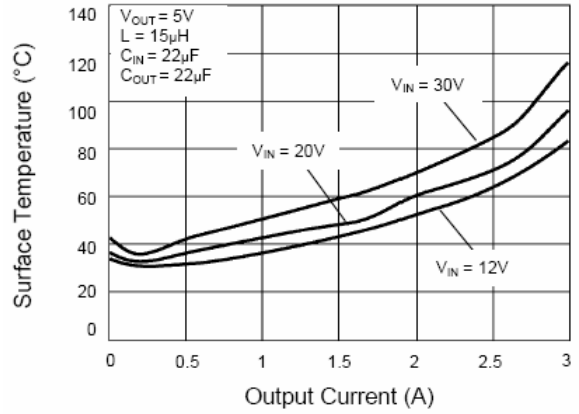


■ **TYPICAL CHARACTERISTICS (CONTINUED)**
(Circuit of Figure 3, Unless other specified)

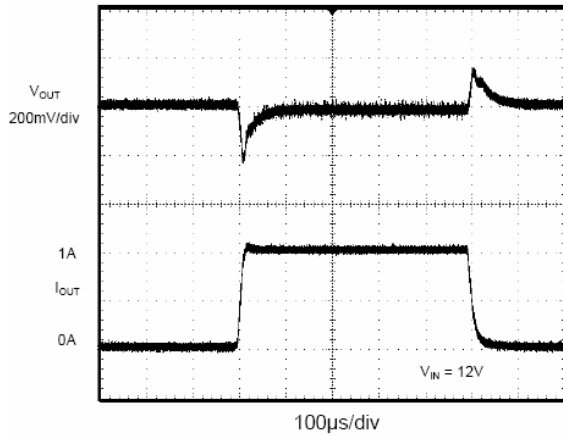
Shutdown Supply Current vs. Input Voltage



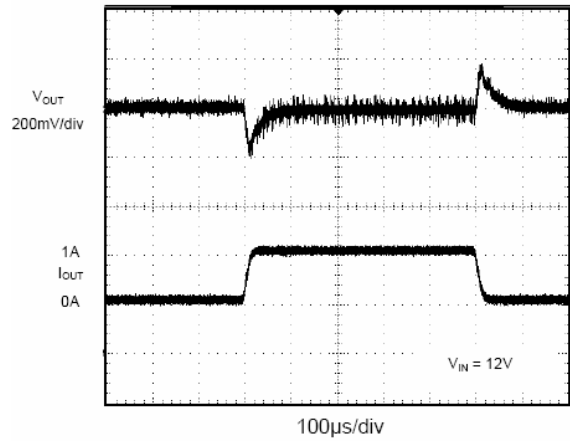
Surface Temperature vs. Output Current



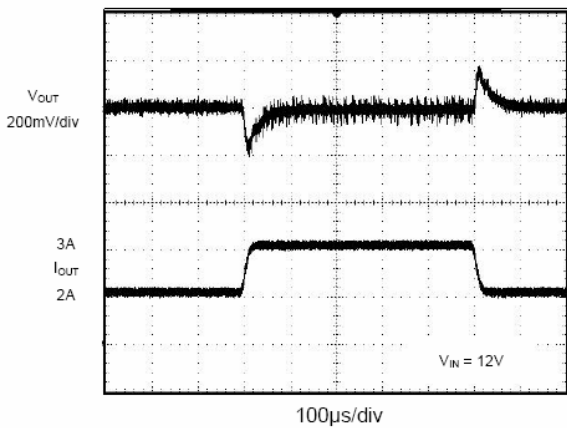
Load Transient Response



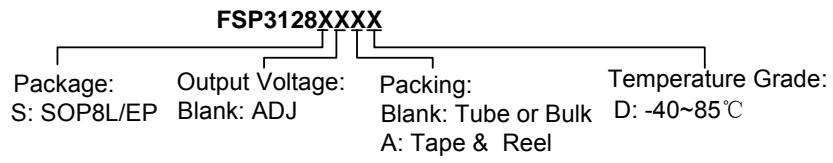
Load Transient Response



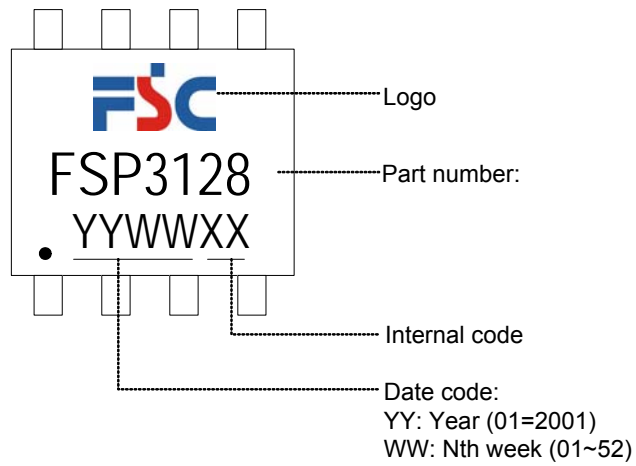
Load Transient Response



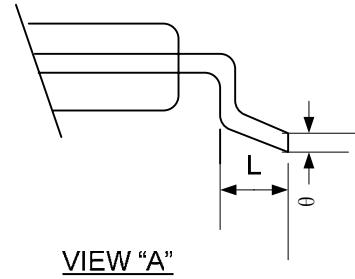
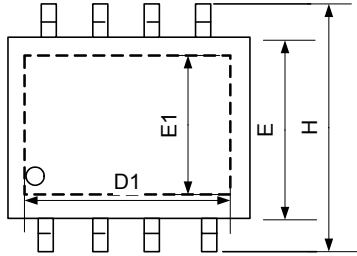
■ **ORDER INFORMATION**



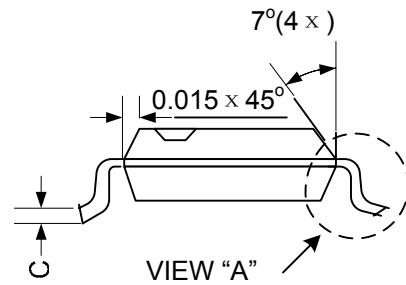
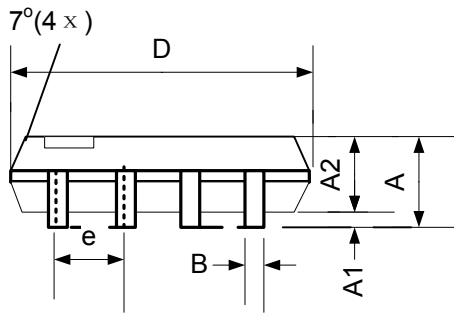
■ **MARKING INFORMATION**



■ **PACKAGE INFORMATION**



VIEW "A"



VIEW "A"

Symbol	Dimensions In Millimeters			Dimensions In Inches		
	Min.	Nom.	Max.	Min.	Nom.	Max.
A	1.35	1.60	1.75	0.053	0.063	0.069
A1	0.05		0.15	0.002		0.006
A2	1.35	1.45	1.55	0.053	0.057	0.061
B	0.33	0.41	0.51	0.013	0.016	0.020
C	0.19	0.20	0.25	0.0075	0.008	0.010
D	4.70	4.90	5.10	0.185	0.196	0.200
D1	3.202		3.402	0.126		0.134
E	3.80	3.90	4.00	0.148	0.154	0.160
E1	2.313		2.513	0.091		0.099
e	1.27TYP.			0.050TYP.		
H	5.80	5.99	6.30	0.228	0.236	0.248
L	0.38	0.71	1.27	0.015	0.028	0.050
θ	0°		8°	0°		8°