

DESCRIPTION

FSP460-70PFL is an industrial level of switching power supply. The power supply comes to offer the total power capacity up to 460 Watts, and uses unique active PFC (Power Factor Correction) circuit design with its high-load electrical components, makes it to be perfectly used in an industrial environment. In addition, with its full range of input and output electrical features, the power supply is ideally the best choice for server, workstation, communication or any other automation applications to use. The product also complies with the latest safety and EMC standards, which is perfectly to meet various regulations worldwide.

APPLICATION

For standard, advanced workstation, server and industrial power system.

FEATURES

- 80 Plus Bronze
- Low Ripple & Noise
- Output over voltage protection
- Short circuit protection on all outputs
- Resettable power shut down
- INTERNAL 4 cm fan 100% burn-in under high ambient temperature(50^o)
- Vacuum-impregnated transformer
- MTBF:100K hours at 25^o
- 100% Hi-pot tested Line input fuse protection

WATTAGE

Wattage: 460W

DIMENSION

Dimension: 140mm(L) x 150mm(W) x 86mm(H)

PRODUCT HIGHLIGHT

Efficiency Level: 80 Plus Bronze
Altitude: 2000M
PMBus: For standard, advanced workstation, server and industrial power system.

INPUT SPECIFICATION

Input Range: 90-264 Vac
Input Frequency: 47-63 Hz
Input Current: 115V@ 8.0 Amps-rms maximum
 230V@ 4.0 Amps-rms maximum

GENERAL SPECIFICATION

Efficiency: 85% 230VAC
Voltage Regulation: +3.3V, +12V, +5V, +5SB: ±5%
 -12V, -5V: ±10%

*Output Voltage and Current Rating

	+3.3V	+5V	+12V1	+12V2	-12V	-5V	+5Vsb
Ripple-Noise(R-P) mV	50mV	50mV	120mV	120mV	120mV	100mV	50mV
Regulation Load %	±5%	±5%	±5%	±5%	±10%	±10%	±5%
Output Max.(A)	22A	16A	18A	18A	0.5A	0.3A	3A
Output Min.(A)	0.5A	0.5A	0.5A	0.5A	0A	0A	0.1A

NOTES

- 5V, 3.3V, 12V, -12V Will gave the regulation to 10% when all load take off.
- The +3.3V, +5V total output shall not exceed 120 watts.
- The total output shall not exceed 460 watts.
- -5V Option, 5vsb peak<=10ms.

MECHANICAL SPECIFICATION



SAFETY STANDARD APPAOVAL



OUTPUT SPECIFICATION

Hold up Time: 115V/60Hz 15mSec.
 Minimum@100% Load,
 230V/50Hz 15mSec.
 Minimum,@100% Load

Ouput Voltage Regulation: +3.3Vdc output : +3.7 Vdc minimum, + 4.8Vdc maximum
 +5Vdc output : +5.7 Vdc minimum, + 7Vdc maximum
 +12Vdc output : +13.3 Vdc minimum, + 16Vdc maximum

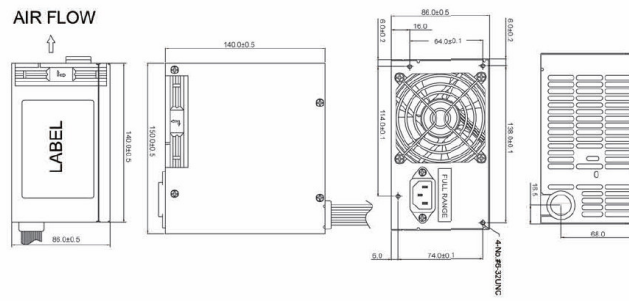
Output Rise Time: 115V-rms/230V-rms 5V 20ms
 Maximum
 115V-rms/230V-rms 12V 20ms
 Maximum

Ripple & Noise: 3.3V:50mV p-p
 5V:50mV p-p
 12V1:120mV p-p
 12V2:120mV p-p
 -12V:120mV p-p
 5Vsb:50mV p-p
 -5V:100mV p-p

ENVIRONMENTAL SPECIFICATION

TEMP.Range: Storage Temperature: -20^oC to + 80^o

MTBF: The power supply have a minimum predicted MTBF(MIL-HDBK-217) of 100,000 hours of continuous operation at 25^o, maximum-output load, and nominal AC inout voltage



This content is subject to change, please refer to specification for more detail.
 FSP reserve the right to change the content without prior notice