

# 24 V DRIVE, FTP-607 SERIES

## HIGH SPEED THERMAL PRINTER

### 3-INCH TYPE MECHANISM

www.DataSheet4U.com

## FTP-637MCL103

### ■ OVERVIEW

The FTP-607MCL Series thermal printer (driven by 24VDC) provides ultra-high speed printing (80mm/s) for 2-inch and 3-inch wide paper. Our original platen removal mechanism allows easy paper loading and maintenance.

The FTP-607 MCL series can be used for a variety of applications, such as POS/ECR, Kiosk terminals, ticket issuing terminals, label printers, banking terminals, and measurement and medical equipment.

### ■ HIGHLIGHTS

- **Compact size**  
Height 15.5 mm, width 70.4 mm, depth 33.0 mm for the 2 inch model. The 3-inch product has a width of 92.4mm.
- **High speed printing**  
It can print at 100 mm/s (800 dotlines/s) maximum by using Fujitsu's unique head drive control.
- **Easy loading mechanism (ELM) type**  
Our unique platen removal mechanism improved paper loading and maintenance.
- **Multi-featuring diecast fame**  
By application of multi-featuring diecast frame, continuous print by function of heat-sink, high ESD stand by function of earth frame and shock/vibration stand by function of solid frame are valid.
- **High resolution printing**  
8 dots/mm of resolution printing is possible.



## ■ PART NUMBERS

Name		Part Number
Printer Mechanism	3 inch	FTP-637MCL103
LSI		FTP-627CU201
Interface Board	parallel	FTP-637DCL218
	serial	FTP-637DSL238
Interface Cable	Parallel (Centronics)	FTP-628Y202
	Serial (RS-232C)	FTP-628Y302
Power Cable	Logic	FTP-629Y401
	Head motor	FTP-629Y601

## ■ SPECIFICATIONS

Item	Specifications								
Part number	FTP-637MCL103								
Printing method	Thermal-sensitive line dot method								
Dot structure	576 dots/line								
Dot pitch (Horizontal)	0.125 mm (8 dots/mm)—Dot density								
Dot pitch (Vertical)	0.125 mm (8 dots/mm)—Line feed pitch								
Effective printing area	72 mm								
Number of columns	ANK 48 columns/line (max.12x 24 dot font)								
Paper width	80 mm <sup>±0.1</sup>								
Paper thickness	60 to 100 μ m (some paper in this range may not be used because of paper characteristics)								
Printing Speed	Maximum 100mm/sec. (800 dot line/sec.)								
Character types	<table> <tr> <td>Alphanumeric, katakana:</td> <td>159 types</td> </tr> <tr> <td>International and special characters:</td> <td>195 types</td> </tr> <tr> <td>JIS Kanji (supported when Kanji CG is mounted):</td> <td>about 6800 types</td> </tr> </table>	Alphanumeric, katakana:	159 types	International and special characters:	195 types	JIS Kanji (supported when Kanji CG is mounted):	about 6800 types		
Alphanumeric, katakana:	159 types								
International and special characters:	195 types								
JIS Kanji (supported when Kanji CG is mounted):	about 6800 types								
Character, dimensions (H×W), number of columns	<table> <tr> <td>(1.5 × 3.0mm)</td> <td>48 columns: ANK</td> </tr> <tr> <td>(3.0 × 3.0mm)</td> <td>28 columns: ANK, Kanji</td> </tr> <tr> <td>(1.0 × 2.0 mm)</td> <td>72 columns: ANK</td> </tr> <tr> <td>(2.0 × 2.0 mm)</td> <td>36 columns: ANK, Kanji</td> </tr> </table>	(1.5 × 3.0mm)	48 columns: ANK	(3.0 × 3.0mm)	28 columns: ANK, Kanji	(1.0 × 2.0 mm)	72 columns: ANK	(2.0 × 2.0 mm)	36 columns: ANK, Kanji
(1.5 × 3.0mm)	48 columns: ANK								
(3.0 × 3.0mm)	28 columns: ANK, Kanji								
(1.0 × 2.0 mm)	72 columns: ANK								
(2.0 × 2.0 mm)	36 columns: ANK, Kanji								

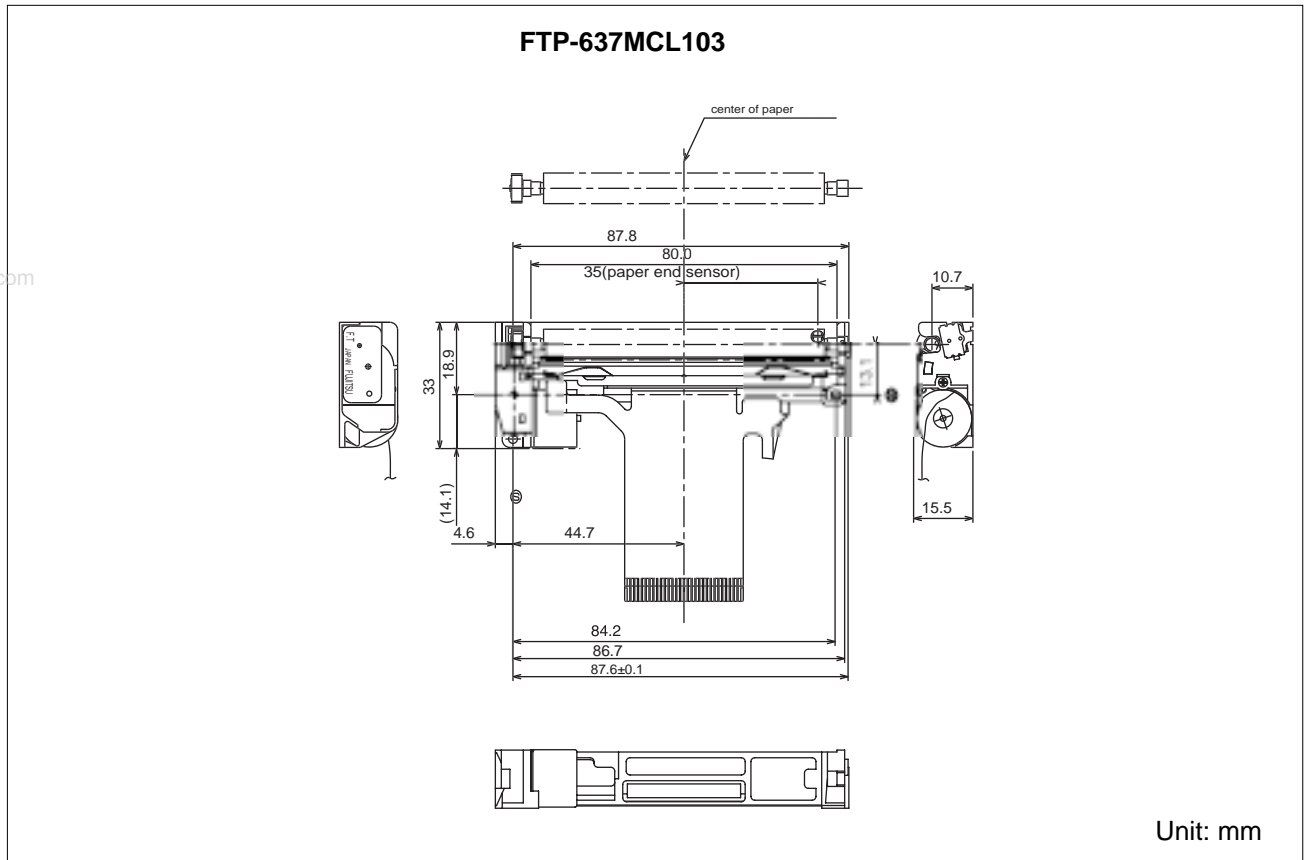
## ■ SPECIFICATIONS

Item		Specification
		FTP-637MCL103
Interface		Conforms to RS232C / Centronics
Operating Voltage	For print head	24 VDC $\pm$ 5%, 1.5 A average, 2.2 A peak (print ratio: 25%)
	For motor	24 VDC $\pm$ 5%, 1 A maximum
	For logic	5 VDC $\pm$ 5%, 0.5 A maximum
External dimensions	Printer mechanism	92.4 x 33.0 x 15.5 mm (WxDxH)
	Interface board	70 x 60 x 24 mm (WxDxH)
Weight		Approximately 52g
Life	Head	Pulse resistance: $5 \times 10^8$ pulses/dot (under our standard conditions). Abrasion resistance: paper traveling distance 50km (print ratio: 25% or less)
Operating environment	Operating temperature	0° C to +50° C*1
	Operating humidity	20 to 85% RH (no condensation)
	Storage temperature	-20° C to +60° C (paper not included)
	Storage humidity	5 to 95% RH (no condensation)
Detection function	Head temperature detection	Detected by thermistor
	Paper out/mark detection	Detected by photo-interrupter
	Platen release detection	Detected by slide switch
Recommended thermal sensitive paper		FTP-030PU001(80mm)

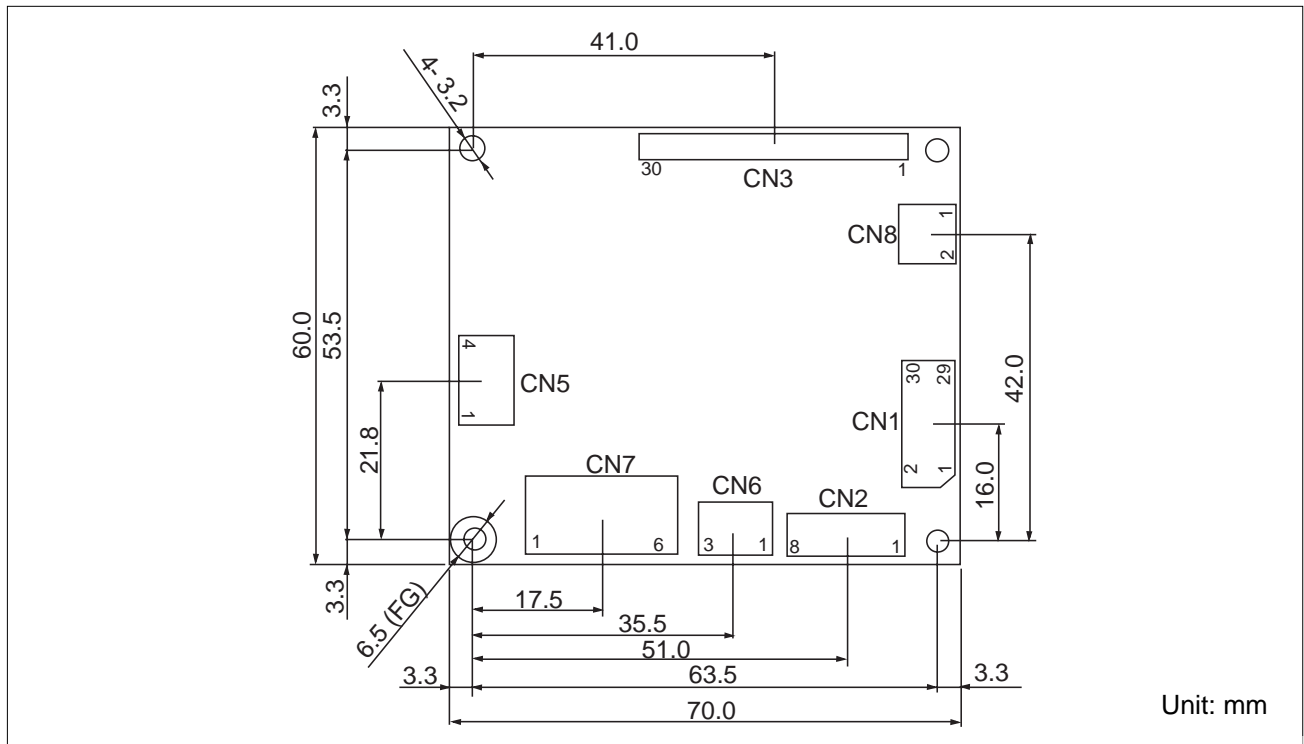
\*1: printing density assurance range, operation is possible at -0°C to +40°C

## ■ DIMENSIONS

### 1. Printer mechanism



### 2 Interface board



## ■ CONNECTOR PIN ASSIGNMENT OF MECHANISM (FPC)

### 1. Thermal Head

Part number : 52610-3090 Molex or equivalent

#### FTP-637MCL103 PIN ASSIGNMENT

No	Signal	I/O	Contents
1	PHK	—	Photointerruptor (Cathode)
2	VSEN	I	Ground power supply for paper sensor
3	PHE	O	Photointerruptor (Emitter)
4	SW	—	Platen open switch
5	SW	—	Platen open switch
6	VH	I	Power supply for thermal head
7	VH	I	
8	VH	I	
9	DI	I	Print data in
10	$\overline{\text{STB3}}$	I	Print enable 3
11	$\overline{\text{STB4}}$	I	Print enable 4
12	VDD	I	Power for logic
13	GND	—	Ground power supply for thermal head
14	GND	—	
15	GND	—	
16	GND	—	
17	GND	—	
18	GND	—	
19	TM	O	Thermistor
20	$\overline{\text{STB1}}$	I	Print enable 1
21	$\overline{\text{STB2}}$	I	Print enable 2
22	$\overline{\text{LAT}}$		Print data latch
23	CLK	I	Clock
24	VH	I	Power supply for thermal head
25	VH	I	
26	VH	I	
27	MT/A	I	Stepping motor excitation signal
28	$\overline{\text{MT/A}}$	I	
29	MT/B	I	
30	$\overline{\text{MT/B}}$	I	

## **Fujitsu Components International Headquarter Offices**

### **Japan**

Fujitsu Component Limited  
Gotanda-Chuo Building  
3-5, Higashigotanda 2-chome, Shinagawa-ku  
Tokyo 141, Japan  
Tel: (81-3) 5449-7010  
Fax: (81-3) 5449-2626  
Email: [promothq@ft.ed.fujitsu.com](mailto:promothq@ft.ed.fujitsu.com)  
Web: [www.fcl.fujitsu.com](http://www.fcl.fujitsu.com)

### **North and South America**

Fujitsu Components America, Inc.  
250 E. Caribbean Drive  
Sunnyvale, CA 94089 U.S.A.  
Tel: (1-408) 745-4900  
Fax: (1-408) 745-4970  
Email: [marcom@fcai.fujitsu.com](mailto:marcom@fcai.fujitsu.com)  
Web: [www.fcai.fujitsu.com](http://www.fcai.fujitsu.com)

### **Europe**

Fujitsu Components Europe B.V.  
Diamantlaan 25  
2132 WV Hoofddorp  
Netherlands  
Tel: (31-23) 5560910  
Fax: (31-23) 5560950  
Email: [info@fceu.fujitsu.com](mailto:info@fceu.fujitsu.com)  
Web: [www.fceu.fujitsu.com](http://www.fceu.fujitsu.com)

### **Asia Pacific**

Fujitsu Components Asia Ltd.  
102E Pasir Panjang Road  
#04-01 Citilink Warehouse Complex  
Singapore 118529  
Tel: (65) 6375-8560  
Fax: (65) 6273-3021  
Email: [fcal@fcal.fujitsu.com](mailto:fcal@fcal.fujitsu.com)  
[www.fcal.fujitsu.com](http://www.fcal.fujitsu.com)

© 2004 Fujitsu Components America, Inc. All company and product names are trademarks or registered trademarks of their respective owners. Rev. 11/15/2004.