



FTR2266 @ 17.664 MHz

HC49 U
XTAL

FTR2266
15-05-2000



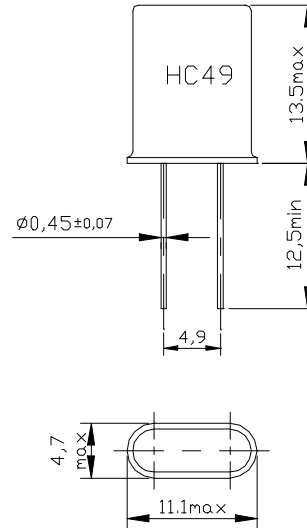
Frequency: 17.664 MHz

Features:

Operating Temperature	-20°C~+70°C
Frequency Stability	±10 ppm
Overall Stability (1)	±50 ppm
Static Capacitance	6.5 pF
Load Capacitance	15 pF

(1) Including 25°C calibration, temperature, ageing 1 year

Package Size (mm)



SHORT FORM Data Sheet - For more details, please contact us

SALES OFFICES:

Benelux: +33 (0) 1 49 88 49 00 / **Germany:** +49 (0) 895164-0 / **Nordic:** +46 (0) 8 59030300
France: +33 (0) 1 49 88 49 00 / **Italy:** +39 (0) 738 8869 / **Spain:** +33 (0) 1 49 88 49 00 / **UK:** +44 (0) 1256 883340
USA: +1 (623) 780-1995 / **Asia-Pacific:** +33 (0) 5 56 46 66 84

WEB SITE: <http://www.temex-components.com>

E-mail: adsl@temex.fr

Specifications are subject to change without notice