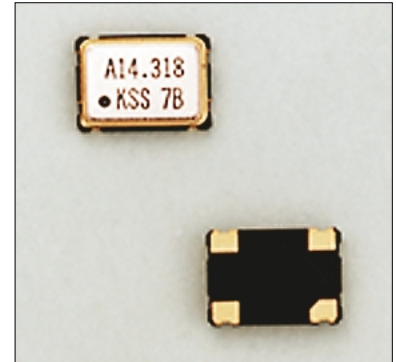


FXO-32F

Miniature Clock Crystal Oscillator

■Features

- Ideal for use as an image sensor clock for compact video cameras.
- Lower noise and lower current for reduced power consumption.
- This crystal oscillator has a built-in C-MOS IC with tri-state function.



■Specifications

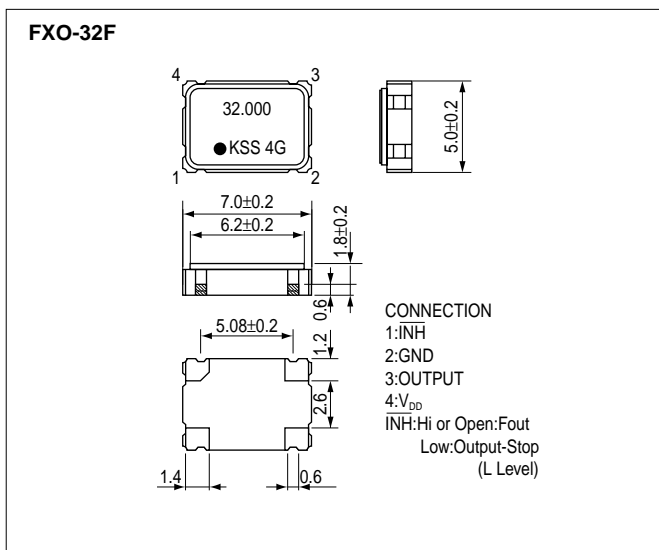
Item	Type	FXO-32F	FXO-32FL
Frequency Range		8.0~32.0MHz	
Standard Frequency		14.31818, 17.734476, 28.375, 28.63636MHz *1	
Frequency Stability		$\pm 30 \times 10^{-6}$	
Operating Temperature Range		-10~+60°C	
Storage Temperature Range		-20~+80°C	
Supply Voltage		5V \pm 5%	3V \pm 5% *2
Current		12mA MAX.	8mA MAX.
Load		15pF (2TTL)	15pF (1TTL)
Output Level		$V_{OH} : 0.9 \times V_{DD}$ MIN. $V_{OL} : 0.5V$ MAX.	
Output Symmetry		40~60% ($V_T = 1/2V_{DD}$)	
Rise Time/Fall Time		12ns MAX.	16ns MAX.
Start-up Time		3ms MAX.	
Vibration		10~55Hz Ampulitude 1.5mm, Cycle 2 minute, 3 direction, 2 hour each	
Shock		1000G	
Weight		0.2g	
Application		for Audio-Visual Equipment	

*1 Please inquire about frequencies other than the above.

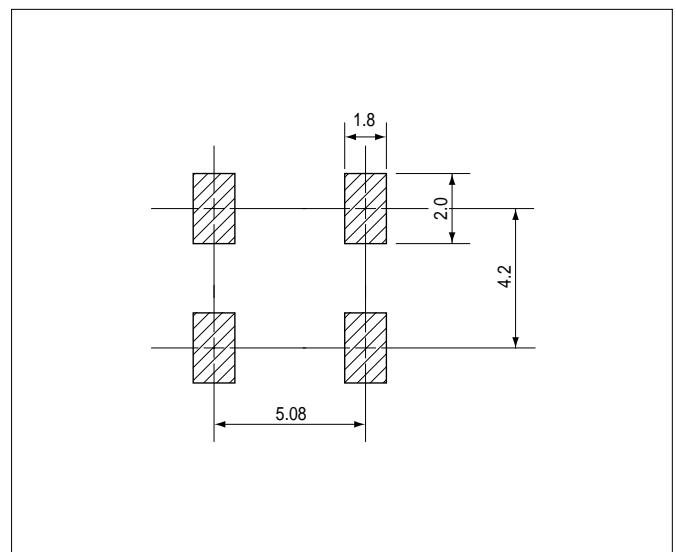
*2 3.3V supply model also available.

* Taping item packaging : one unit 3,000 pcs or 1,000 pcs

■Outline



■Land Pattern(reference)



Dimensions(mm)