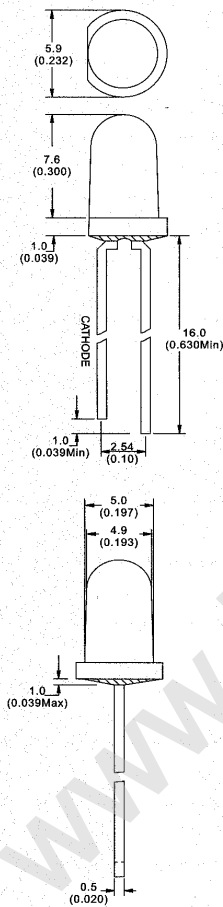


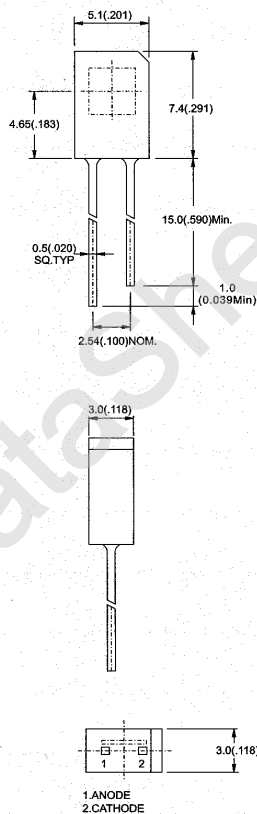
# 接收管 SILICON PHOTO DIODES

Package	Part No. FYL-	Open circuit voltage (VOC)		Short Circuit Current		Reverse Dark Current		Reverse Light Current		Reverse Break Down Voltage		Tr	Tf	Peak Wave Length $\lambda_p$ (nm)	Viewing Angle $2\theta$ 1/2 (deg)	Drawing No.
		Typ.(mV)		Typ.( $\mu$ A)		ID(R) Max.(nA)		(IL) Typ.( $\mu$ A)		(VBR) Min.(V)						
		Min.	Typ.	Min.	Typ.	Typ.	Max.	Min.	Typ.	Min.	Typ.					
	5012PD	-	400	-	2	-	10	-	3.5	35	170	6	6	940	35	L-026
	3522PD	-	350	50	75	5	30	60	120	35	170	50	50	940	140	L-027
	4802PD	-	350	50	75	5	30	60	120	35	170	50	50	940	140	L-028

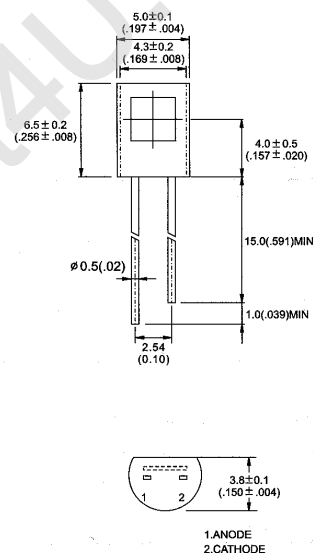
L-026 FYL-5012xx Series



L-027 FYL-3522xx Series



L-028 FYL-4802xx Series



**Contacts:**

TELCONA AG, Head Office: Höri, Switzerland      Tel. ++41-1-860 2550      Fax. ++41-1-860 2822 www.telcona.com  
 TELCONA AG, Sales Office: Sinsheim, Germany      Tel. ++49-7261-655 388      Fax. ++49-7261-655 389  
 TELCONA AG, Sales Office: Lésigny, France      Tel. ++33-1-60 34 28 28      Fax. ++33-1-60 34 28 29