

## FYL-5013IRCC1C

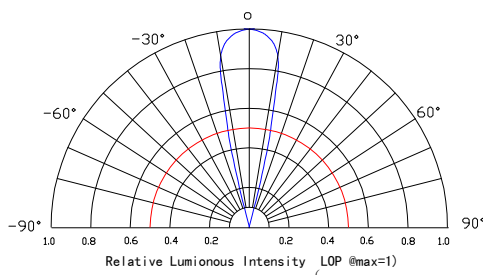
### Features:

- Single color
- High Power output
- Low power consumption
- High reliability and long long life
- General purpose leads
- RoHs compliant.

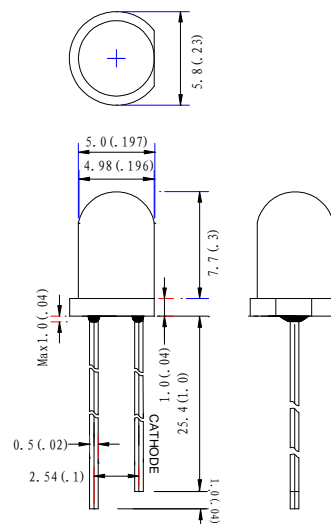
### Descriptions:

- Dice material: AlGaAs
- Emitting Color: Infrared
- Device Outline:  $\Phi 5\text{mm}$  Round Type.
- Lens Type: Water clear.

### Radiation pattern.



### Package configuration



- ◆ All dimensions are millimeters (inches)
- ◆ Tolerance is  $\pm 0.25\text{mm}(0.010\text{'})$  unless otherwise noted.

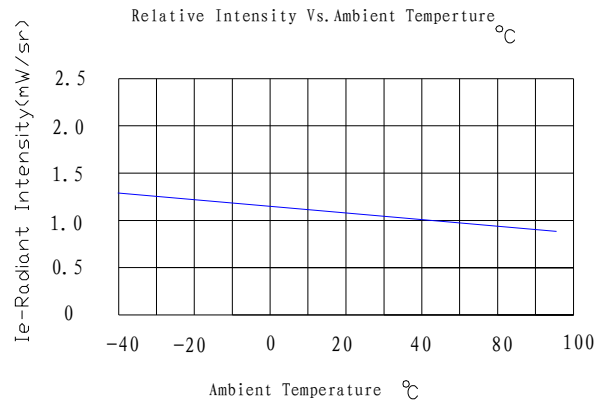
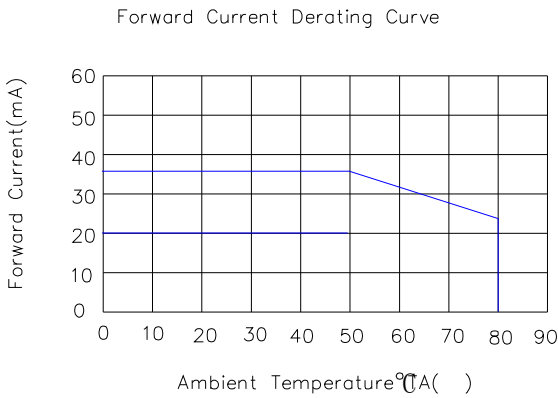
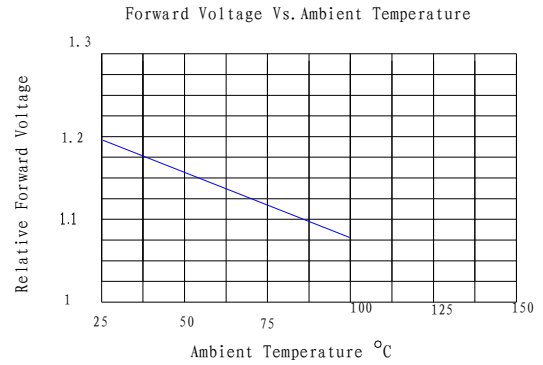
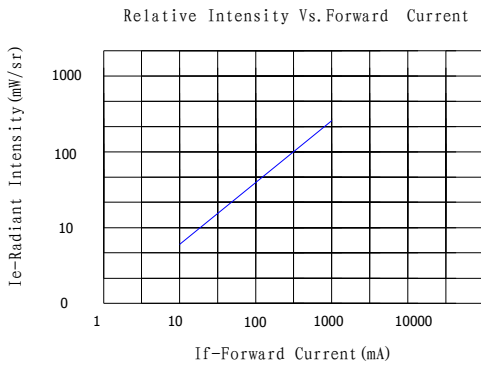
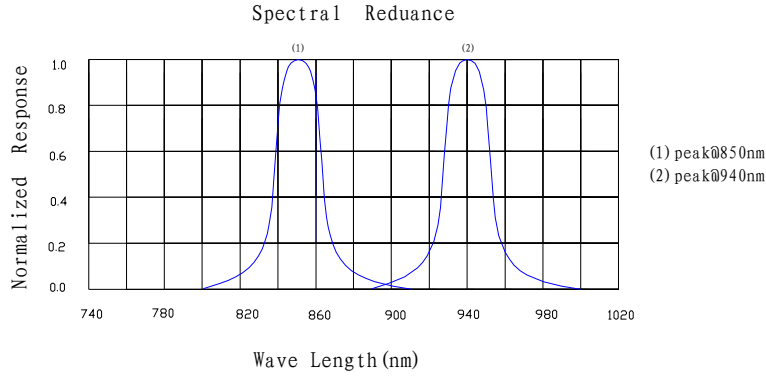
### Absolute maximum ratings( $T_a=25^\circ\text{C}$ )

Parameter	Symb	Test Condition	MAX.	Unit
Power Dissipation	pd	-	100	mW
Forward Current	IFM	Duty=0.01ms 1khz	1000	mA
Reverse Voltage	VR	IR=10UA	9	V
Operating Temperature Range			<b>-30°C to +80°C</b>	
Storage Temperature Range			<b>-40°C to +100°C</b>	
Lead Soldering Temperature[4mm(.157") From			<b>260°C for 5 Seconds</b>	

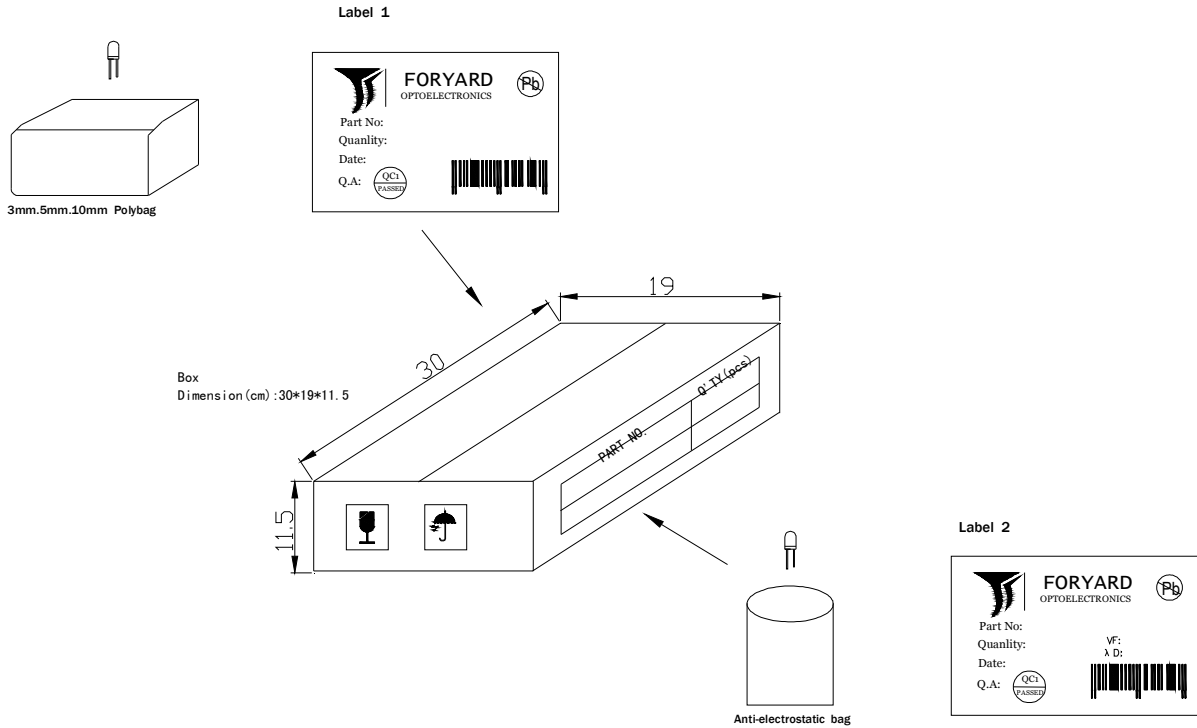
### Electrical and optical characteristics( $T_a=25^\circ\text{C}$ )

Parameter	Symbol	Min.	Typ.	Max.	Unit	Test Condition
Radiant Intensity	Ee	70	90	-	Mw/sr	IF=50mA
Viewing Angle	2 $\theta_{1/2}$	20	25	30	Deg	
Peak Emission	$\lambda_p$	-	850	-	nm	
Spectral Line Half-Width	$\Delta\lambda$	40	45	50	nm	
Forward Voltage	VF	-	1.5	1.8	V	
Reverse Current				10	uA	<b>9 V</b>

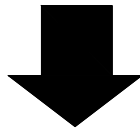
## Typical Electrical Characteristics Curves (25 °c Ambient Temperature Unless Otherwise Noted)



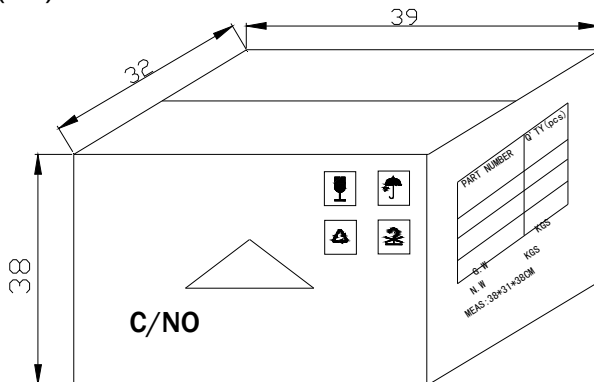
## LAMP PACKING.



DEVICE	QTY/polybag(pcs)	Polybag/box A	Fig
5mm(T-1 3/4)	1000	8 bags	Label 1
3mm(T-1)	1000	10 bags	Label 1
10mm(T-1)	250	8 bags	Label 1
Blue/Green/White	500pcs	8 bags	Label 2



**CARTON**  
Dimension(cm):39\*32\*38



6 Boxes/Carton  
 5mm:48,000pcs  
 3mm:60,000pcs  
 10mm:12,000pcs  
 Blue/Pure Green/bluish Green  
 /White:24,000pcs