



CUSTOMER APPROVAL SHEET

Company Name	
MODEL	G043FTT01.0
CUSTOMER APPROVED	Title : Name :

- APPROVAL FOR SPECIFICATIONS AND CS SAMPLE (Spec. Ver. 1.0)
- CUSTOMER REMARK :

PM : ShengHsun Lin

P/N : _____

Comment :

1 Li-Hsin Rd. 2. Science-Based Industrial Park
Hsinchu 300, Taiwan, R.O.C.
Tel: +886-3-500-8800
Fas: +886-3-577-2730



Doc. version :	1.0
Total pages :	19
Date :	2011/11/24

Product Specification

4.3" COLOR TFT-LCD MODULE/PANEL

MODEL NAME: G043FTT01.0

Model Name :	G043FTT01.0
Planned Lifetime:	
Phase-out Control:	
EOL Schedule:	

< >Preliminary Specification

<◆>Final Specification

Note: The content of this specification is subject to change.

© 2011 AU Optronics
All Rights Reserved,
Do Not Copy.

Contents

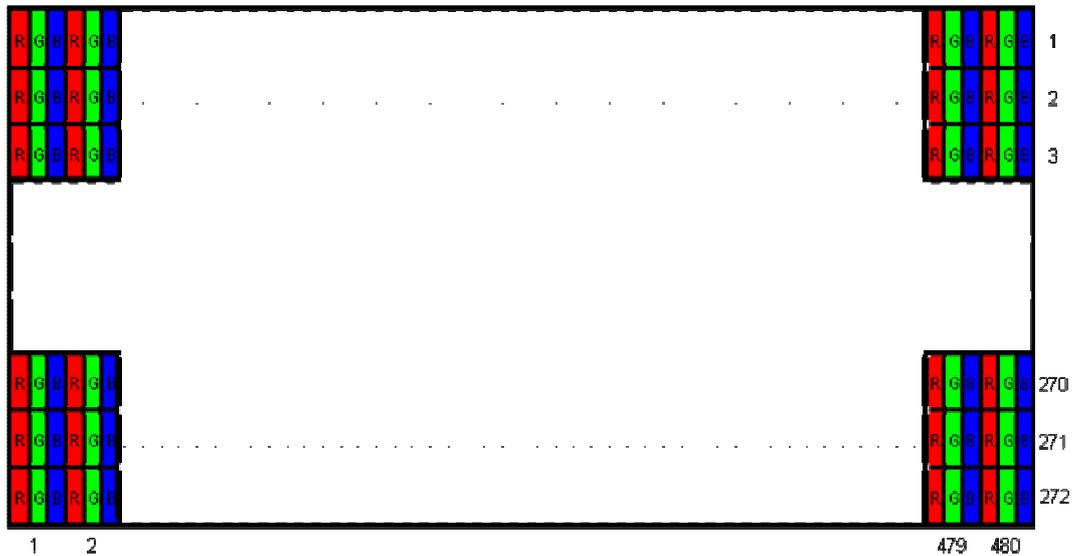
A. General Information	3
B. Outline Dimension	4
C. Electrical Specifications	5
1. TFT LCD Panel Pin Assignment	5
2. Absolute Maximum Ratings	6
3. Electrical DC Characteristics	6
4. Electrical AC Characteristics	8
5. Power On/Off Characteristics	10
D. Optical Specification	11
E. Touch Screen Panel Specifications	13
1. Electrical Characteristics	13
2. Mechanical Characteristics	13
3. Life Test Condition	14
4. Attention	15
F. Reliability Test Items	16
G. Packing and Marking	17
1. Packing Form	17
H. Application Note	18
1. Application Circuit	18
I. Precautions	19

A. General Information

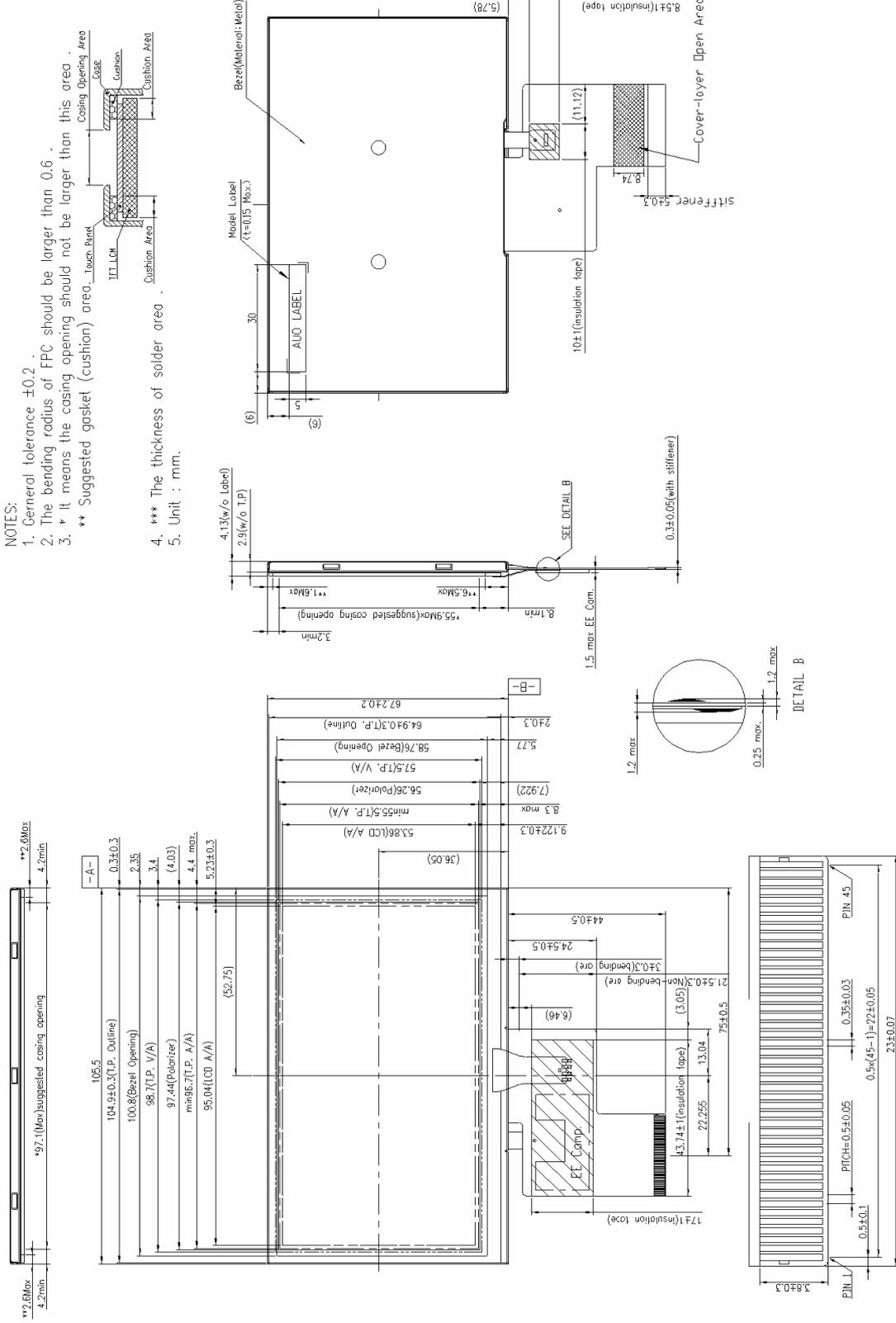
NO.	Item	Unit	Specification	Remark
1	Screen Size	inch	4.3(Diagonal)	
2	Display Resolution	dot	480RGB(H)×272(V)	
3	Overall Dimension	mm	105.5(H) × 67.2(V) × 4.13(T)	Note 1
4	Active Area	mm	95.04(H)×53.856(V)	
5	Pixel Pitch	mm	0.066(R.G.B)×0.198(V)	
6	Color Configuration	--	R. G. B. Stripe	Note 2
7	Color Depth	--	16.7M Colors	
8	NTSC Ratio	%	50	
9	Display Mode	--	Normally White	
10	Touch panel surface treatment	--	Hard coating (AG Haze 8%) 3H	
11	Weight	g	59	
12	Viewing direction		6 o'clock (gray inversion)	

Note 1: Not include backlight cable and FPC. Refer next page to get further information.

Note 2: Below figure shows dot stripe arrangement.



B. Outline Dimension



C. Electrical Specifications

1. TFT LCD Panel Pin Assignment

Recommended connector : FH12A-45S-0.5SH

Pin no	Symbol	I/O	Description	Remark
1	GND	G	GND	
2	GND	G	GND	
3	VDD	PI	Power supply for analog circuit	
4	VDDIO	PI	Power supply for digital interface	
5	R0	I	Red Data Signal (LSB)	
6	R1	I	Red Data Signal	
7	R2	I	Red Data Signal	
8	R3	I	Red Data Signal	
9	R4	I	Red Data Signal	
10	R5	I	Red Data Signal	
11	R6	I	Red Data Signal	
12	R7	I	Red Data Signal (MSB)	
13	G0	I	Green Data Signal (LSB)	
14	G1	I	Green Data Signal	
15	G2	I	Green Data Signal	
16	G3	I	Green Data Signal	
17	G4	I	Green Data Signal	
18	G5	I	Green Data Signal	
19	G6	I	Green Data Signal	
20	G7	I	Green Data Signal (MSB)	
21	B0	I	Blue Data Signal (LSB)	
22	B1	I	Blue Data Signal	
23	B2	I	Blue Data Signal	
24	B3	I	Blue Data Signal	
25	B4	I	Blue Data Signal	
26	B5	I	Blue Data Signal	
27	B6	I	Blue Data Signal	
28	B7	I	Blue Data Signal (MSB)	
29	GND	G	GND	
30	DCLK	I	Pixel clock	
31	DISP	I	Display on/off signal	
32	NC	-	No connect	
33	NC	-	No connect	
34	DE	I	Data enable	

35	UD	I	0	Scan direction: Right →Left, Down→Up	IC internal pull high
			1	Scan direction: Left→Right, Up→Down(Default)	
36	GND	G	GND		
37	TP_U	I/O	Y Up		
38	TP_L	I/O	X Left		
39	TP_B	I/O	Y Bottom		
40	TP_R	I/O	X Right		
41	GND	G	GND		
42	VLED-	PI	LED backlight cathode		
43	VLED+	PI	LED backlight anode		
44	GND	G	GND		
45	GND	G	GND		

I: Input pin; O: Output pin; PI: Power input; G: Ground pin

2. Absolute Maximum Ratings

Items	Symbol	Values		Unit	Condition
		Min.	Max.		
Power Supply Voltage	VDD	-0.3	6	V	
Interface Supply Voltage	VDDIO	-0.3	6	V	
LED Reverse Voltage	V_r	3.2	3.5	V	One LED
LED Forward Current	I_f	--	25	mA	One LED

Note 1.If the operating condition exceeds the absolute maximum ratings, the TFT-LCD module may be damaged permanently. Also, if the module operated with the absolute maximum ratings for a long time, its reliability may drop.

3. Electrical DC Characteristics

a. Typical Operation Condition (AGND =GND = 0V)

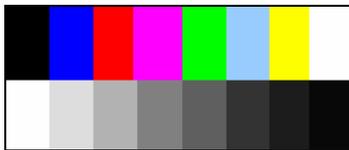
Item	Symbol	Min.	Typ.	Max.	Unit	Remark
Power Voltage	VDD	3.0	3.3	3.6	V	Analog Power Supply
	VDDIO	1.65	--	VDD	V	Digital Power Supply
Input Signal Voltage	H Level	V_{IH}	$0.7 \times VDDIO$	--	VDDIO	V
	L Level	V_{IL}	GND	--	$0.3 \times VDDIO$	V

b. Current Consumption (AGND=GND=0V)

Parameter	Symbol	Condition	Min.	Typ.	Max.	Unit	Remark
Input Current for VDD	I_{VDD}	VDD=3.3V	-	18	25	mA	Note 1, 2
	I_{VDD} (STANDBY)	VDD=3.3V	-	12	15	uA	Note 3
Input Current for VDDIO	I_{VDDIO}	VDDIO=3.3V	-	20	40	uA	Note 1, 2
	I_{VDDIO} (STANDBY)	VDDIO=3.3V	-	35	40	uA	Note 3

Note 1: Test Condition is under typical Electrical DC and AC characteristics.

Note 2: Test pattern is the following picture.

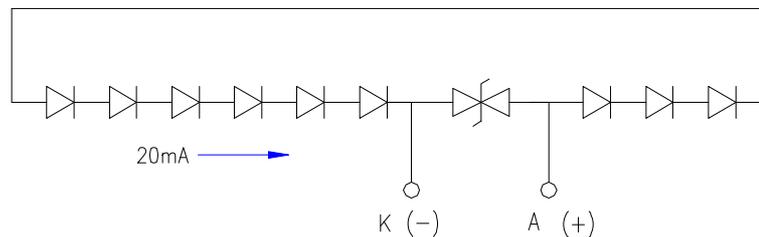


Note 3: In standby mode, all digital signals are stopped. Ex. DCLK, HSYNC ..etc.

c. Backlight Driving Conditions

Parameter	Symbol	Min.	Typ.	Max.	Unit	Remark
LED Supply Current	I_L		20	22	mA	single serial
Power Consumption	PBL		576	693	mW	

Note 1: LED backlight is 9 LEDs serial type. Suggestion is driven by current 20mA for each LED string.

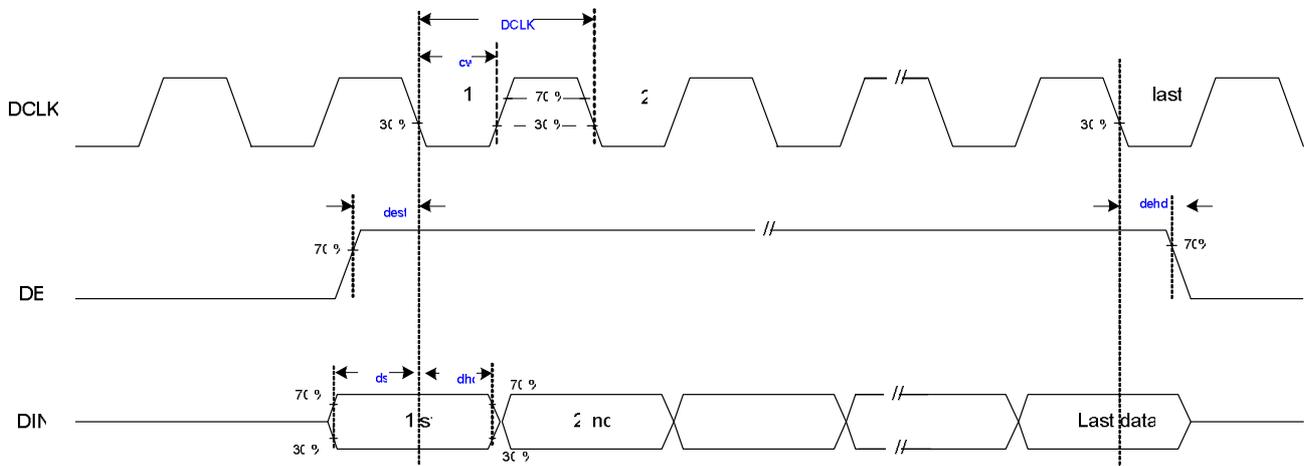


Note 2: If it uses larger LED lightbar voltage/ current more than 25mA, it maybe decreases the LED lifetime

4. Electrical AC Characteristics

a. Signal AC Characteristics

Parameter	Symbol	Min.	Typ.	Max.	Unit	Remark
DCLK time	t_{DCLK}	83	111	166	ns	
DCLK width	t_{CW}	33.2	--	--	ns	$D_{CW} = 50\%$
DCLK duty cycle	D_{CW}	40	50	60	%	$t_{cw} / t_{DCLK} \times 100\%$
Data Setup Time	t_{dst}	6	--	--	ns	Input data to DCLK
Data Hold Time	t_{dhd}	6	--	--	ns	Input data to DCLK
DE Setup Time	t_{dest}	6	--	--	ns	DE to DCLK
DE Hold Time	t_{dehd}	6	--	--	ns	DE to DCLK

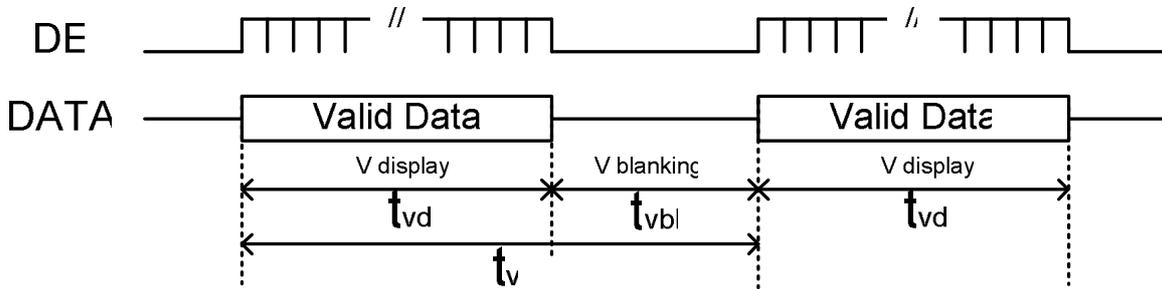


b. Input Timing

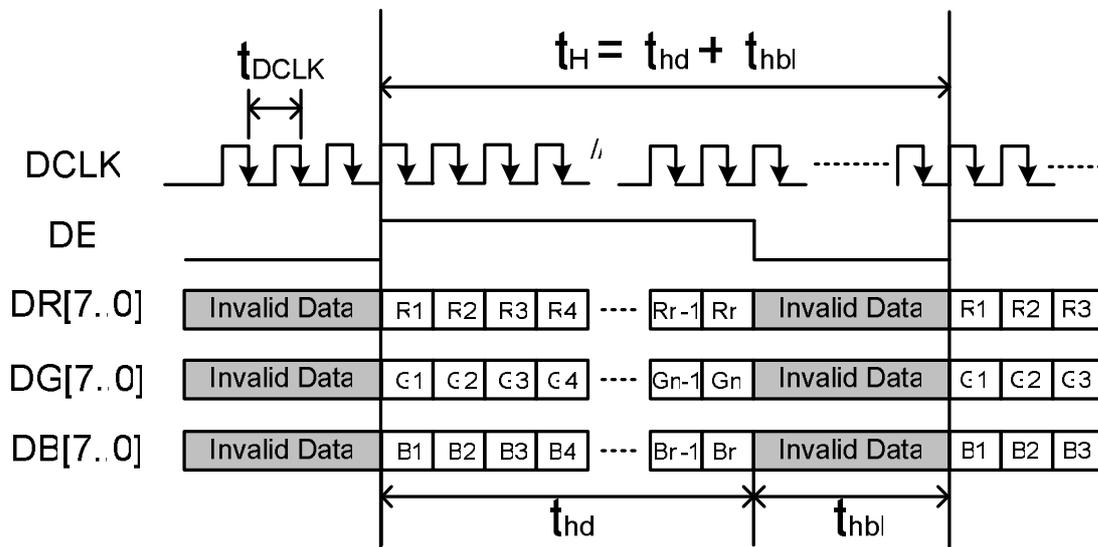
Parameter		Symbol	Min.	Typ.	Max.	Unit.	Remark
DCLK	Frequency	$1/t_{DCLK}$	6	9	12	MHz	
Frame Frequency	Cycle			16.7		ms	
1 Frame Scanning Time	Cycle	t_v	282	288	400	t_H	
	Display Period	t_{vd}	272			t_H	
	Blanking	t_{vbl}	10	16	128	t_H	
1 Line Scanning Time	Cycle	t_H	495	525	800	t_{DCLK}	
	Display Period	t_{hd}	480			t_{DCLK}	
	Blanking	t_{hbl}	15	45	320	t_{DCLK}	

c. Timing Diagram

Vertical Timing of Input(DE mode)

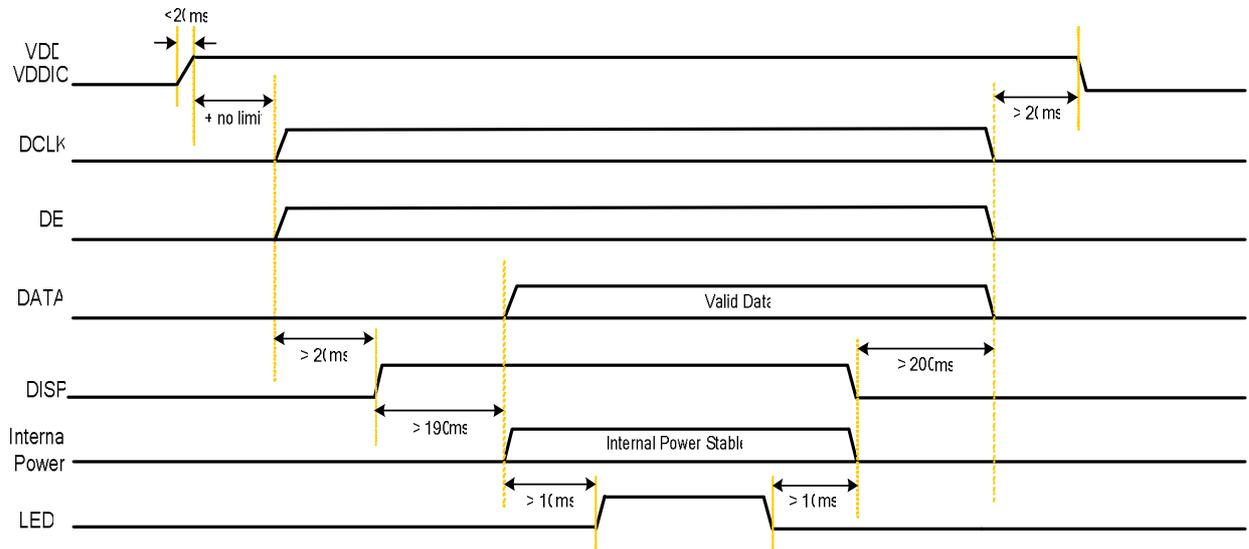


Horizontal Timing of Input (DE mode)



5. Power On/Off Characteristics

a. Power On/Off Sequence



Note : The driver IC default mode is standby mode. It can be changed to normal operation by using DISP hardware pin.

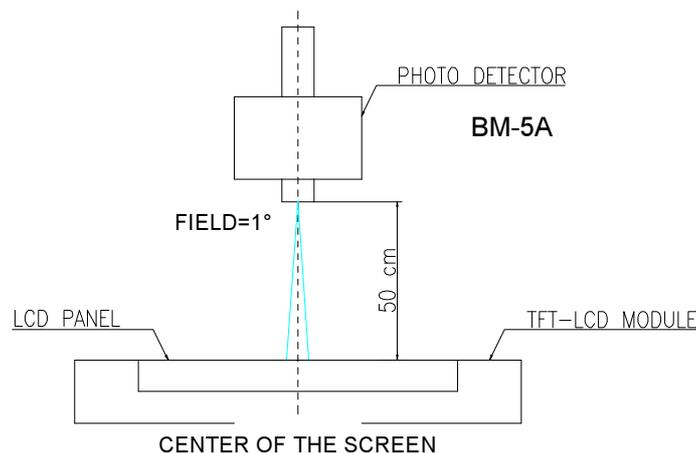
D. Optical Specification

All optical specification is measured under typical condition (Note 1, 2)

Item	Symbol	Condition	Min.	Typ.	Max.	Unit	Remark
Response Time							
Rise	Tr	$\theta=0^\circ$	--	15		ms	Note 3
Fall	Tf		--	20		ms	
Contrast ratio	CR	At optimized viewing angle	300	400	--		Note 4
Viewing Angle	Top	CR \square 10	35	50	--	deg.	Note 5
	Bottom		40	55	--		
	Left		50	65	--		
	Right		50	65	--		
Brightness	Y_L	$\theta=0^\circ$	320	400	--	cd/m ²	Note 6
Chromaticity	White	X	$\theta=0^\circ$	0.27	0.32	0.37	
		Y	$\theta=0^\circ$	0.29	0.34	0.39	
Uniformity	ΔY_L	%	70	75	--	%	Note 7

Note 1: Measurement should be performed in the dark room, optical ambient temperature =25°C, and backlight current IL=20 mA.

Note 2: To be measured on the center area of panel with a viewing cone of 1° by Topcon luminance meter BM-5A, after 15 minutes operation.

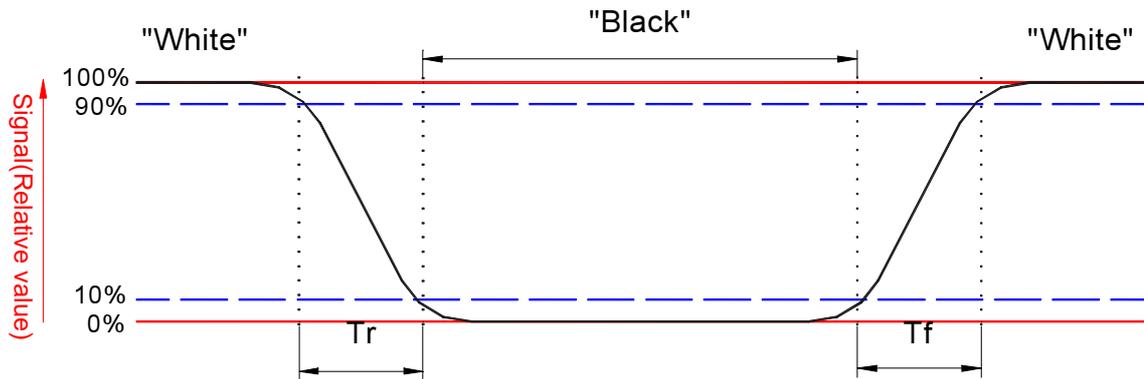


Note 3: Definition of response time:

The output signals of photo detector are measured when the input signals are changed from “black” to “white”(falling time) and from “white” to “black”(rising time), respectively.

The response time is defined as the time interval between the 10% and 90% of amplitudes.

Refer to figure as below.

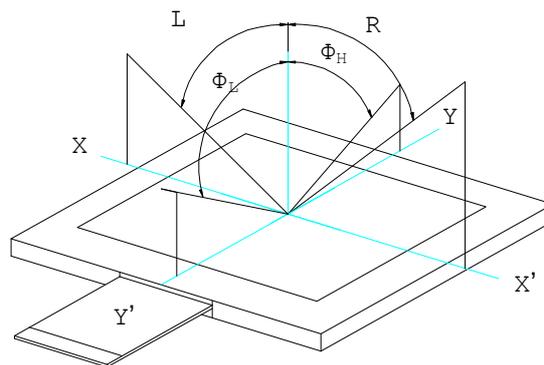


Note 4. Definition of contrast ratio:

Contrast ratio is calculated with the following formula.

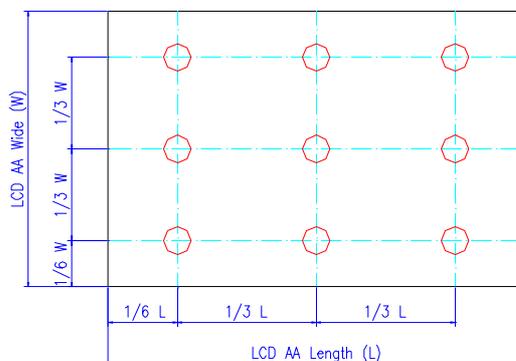
$$\text{Contrast ratio (CR)} = \frac{\text{Photo detector output when LCD is at "White" status}}{\text{Photo detector output when LCD is at "Black" status}}$$

Note 5. Definition of viewing angle, θ , Refer to figure as below.



Note 6. Measured at the center area of the panel when all the input terminals of LCD panel are electrically opened.

Note 7: Luminance Uniformity of these 9 points is defined as below:



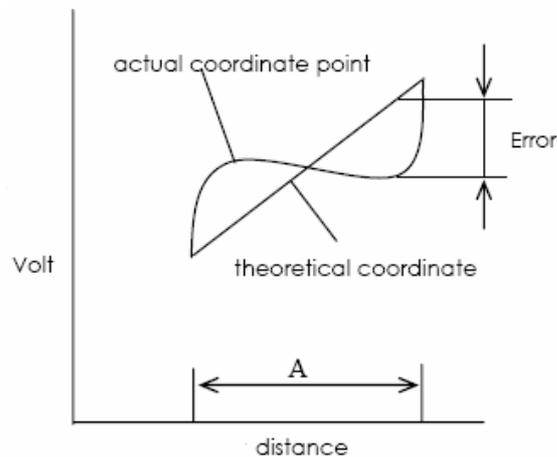
$$\text{Uniformity} = \frac{\text{minimum luminance in 9 points (1-9)}}{\text{maximum luminance in 9 points (1-9)}}$$

E. Touch Screen Panel Specifications

1. Electrical Characteristics

Item	Min.	Max.	Unit	Remark	
Rate DC Voltage	--	5	V		
Resistance	X (Film)	500	1400	Ω	Resistance
	Y (Glass)	100	700		
Linearity	-1.5%	1.5%	--	Note 1, test by 250 gf	
Chattering	--	--	ms	At connector pin	
Insulation Resistance	20	--	M Ω	DC 25V	

Note 1: Measurement condition of Linearity: difference between actual voltage & theoretical voltage is an error at any points. Linearity is the value max. error voltage divided by voltage difference on within T/P active area inside 2mm.

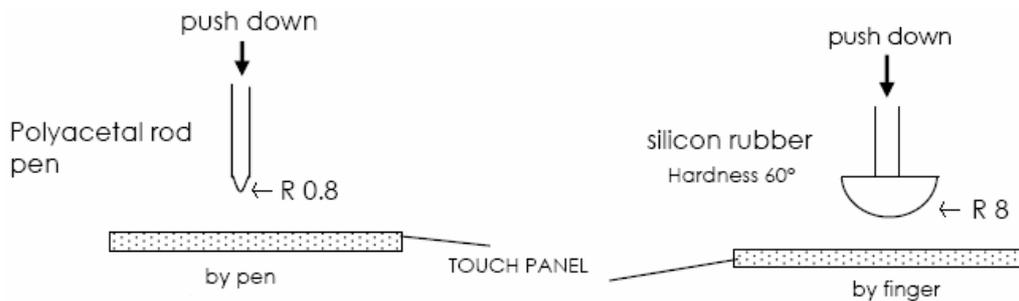


2. Mechanical Characteristics

Item	Min.	Max.	Unit	Remark
Hardness of Surface	3	--	H	JIS K-5600
activation force (Pen or Finger)		38	gf	Note 1, 2

Note 1: Within " active area inside 2mm", but not near the active area boundary and on the dot-spacer.

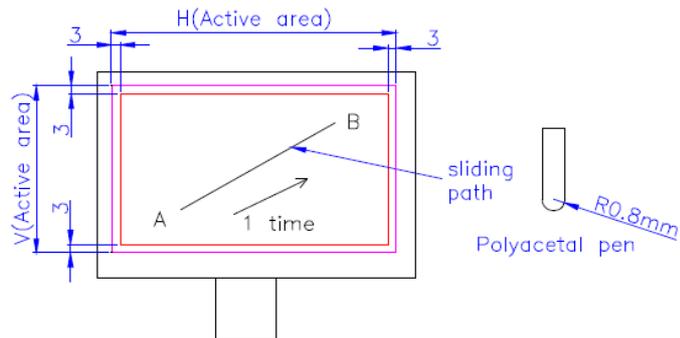
Note 2: Operation force measurement is under test condition as figure below.



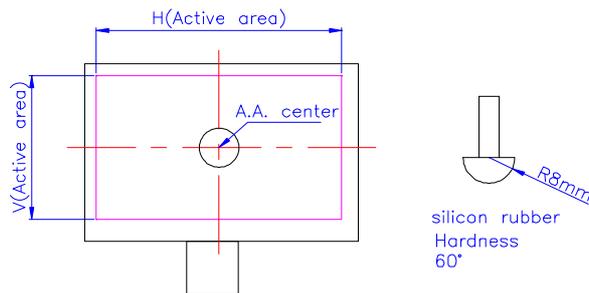
3. Life Test Condition

Item	Min.	Max.	Unit	Remark
Notes Life	10^5	--	lines	Note 1
Input Life	10^6	--	times	Note 2

Note 1: Life test condition (by pen): From active area edge toward the center at 3 mm distance, slide on active area and use R 0.8mm polyacetal pen, input force : 250gf, frequency : 60mm/sec. Sliding from A to B complete 1 time. shown as figure.



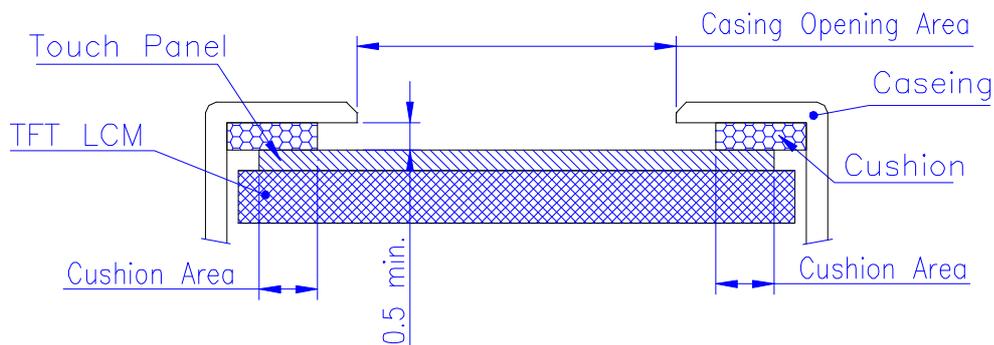
Note 2: Input Life test condition (by finger): test position on active area center and use R8.0mm silicon rubber (hardness 60°), test force: 250gf, frequency : 2times/sec. shown as figure.



4. Attention

Please pay attention for below matters at mounting design of touch panel of LCD module.

- 1) Do not design casing opening area pressing the active area to prevent from miss input. Suggest casing opening area shown as mechanical drawing. Suggest the gap between casing and touch panel surface at least 0.5mm to avoid miss input.
- 2) Cushion area must not contact with active area. Suggest cushion area shown as mechanical drawing.
- 3) Use elastic or non-conductive material to enclosure touch panel.
- 4) Do not bond film of touch panel with casing.
- 5) The touch panel edge is conductive. Do not touch it with any conductive part after mounting.



- 6) If user wants to cleaning touch panel by air gun, pressure 2kg/cm^2 below is suggested. Not to blow glass from FPC site to prevent FPC peeled off.
- 7) Do not put a heavy shock or stress on touch panel and film surface. Ex. Don't lift the panel by film face with vacuum.
- 8) Do not lift LCD module by FPC.
- 9) Please use dry cloth or soft cloth with neutral detergent (after wring dry) or one with ethanol at cleaning. Do not use any organic solvent, acid or alkali liquor.
- 10) Do not pile touch panel. Do not put heavy goods on touch panel.
- 11) In order to get the optimal mapping between TFT-LCD and touch panel, each touch panel needs to be executed calibration (5 points at least) before operating touch functions. For detail calibration algorithms, please refer to touch panel driving IC user manuals.

F. Reliability Test Items

No.	Test items	Conditions		Remark
1	High Temperature Storage	Ta= 80°C	240Hrs	
2	Low Temperature Storage	Ta= -30°C	240Hrs	
3	High Temperature Operation	Ta= 70°C	240Hrs	
4	Low Temperature Operation	Ta= 0°C	240Hrs	
5	High Temperature & High Humidity	Ta= 60°C. 90% RH	240Hrs	
6	Heat Shock	-25°C ~70°C, 50 cycle, 2Hrs/cycle		Non-operation
7	Vibration (With Carton)	Random vibration: 0.015G ² /Hz from 5~200Hz -6dB/Octave from 200~500Hz		IEC 68-34
8	Drop (With Carton)	Height: 76~66cm 1 corner, 3 edges, 6 surfaces		

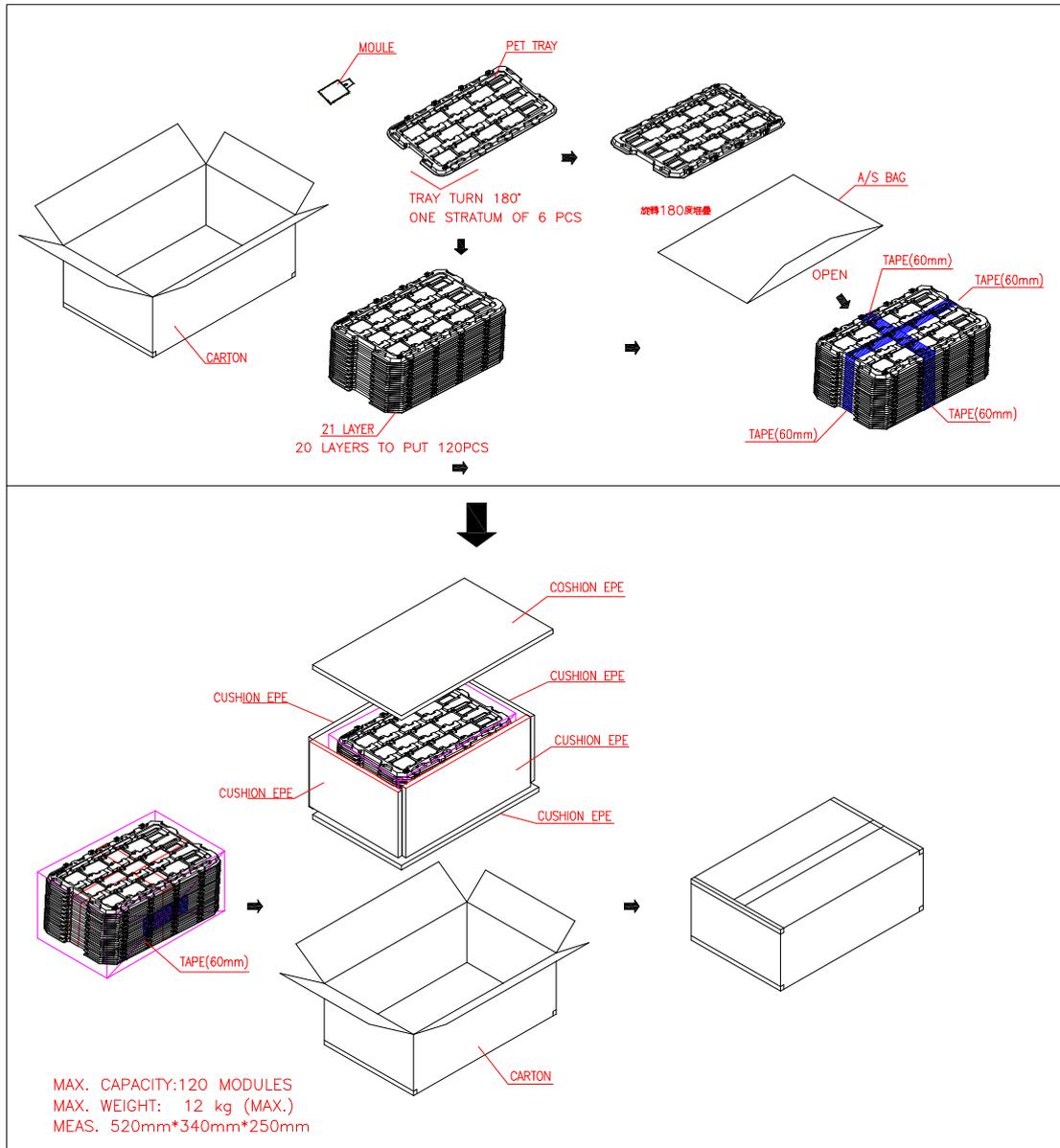
Note 1: Ta: Ambient temperature.

Note 2: In the standard conditions, there is not display function NG issue occurred. All the cosmetic specification is judged before the reliability stress.

Note 3: All the cosmetic specification is judged before the reliability stress.

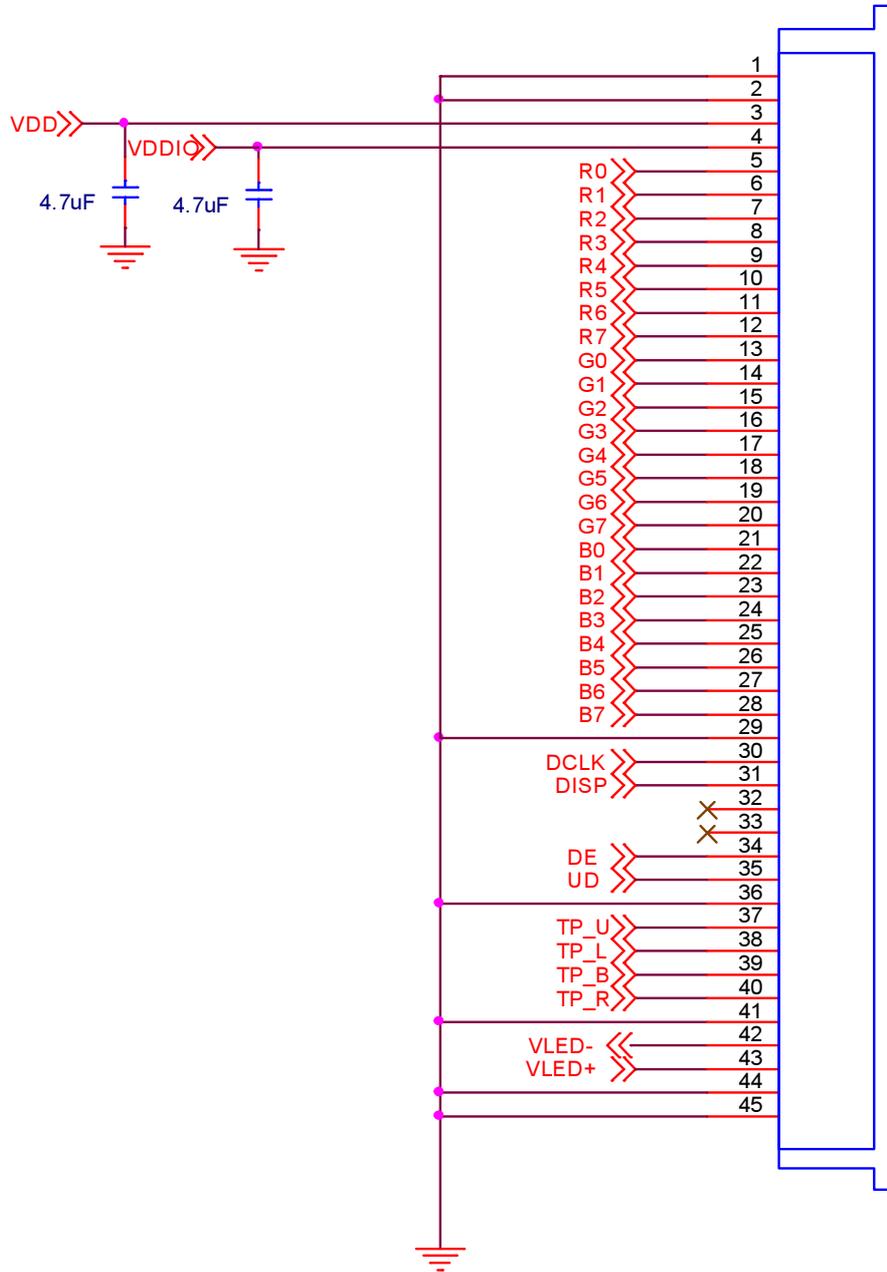
G. Packing and Marking

1. Packing Form



H. Application Note

1. Application Circuit



I. Precautions

1. Do not twist or bend the module and prevent the unsuitable external force for display module during assembly.
2. Adopt measures for good heat radiation. Be sure to use the module within the specified temperature.
3. Avoid dust or oil mist during assembly.
4. Follow the correct power sequence while operating. Do not apply the invalid signal, otherwise, it will cause improper shut down and damage the module.
5. Less EMI: it will be more safety and less noise.
6. Please operate module in suitable temperature. The response time & brightness will drift by different temperature.
7. Avoid to display the fixed pattern (exclude the white pattern) in a long period, otherwise, it will cause image sticking.
8. Be sure to turn off the power when connecting or disconnecting the circuit.
9. Polarizer scratches easily, please handle it carefully.
10. Display surface never likes dirt or stains.
11. A dewdrop may lead to destruction. Please wipe off any moisture before using module.
12. Sudden temperature changes cause condensation, and it will cause polarizer damaged.
13. High temperature and humidity may degrade performance. Please do not expose the module to the direct sunlight and so on.
14. Acetic acid or chlorine compounds are not friends with TFT display module.
15. Static electricity will damage the module, please do not touch the module without any grounded device.
16. Do not disassemble and reassemble the module by self.
17. Be careful do not touch the rear side directly.
18. No strong vibration or shock. It will cause module broken.
19. Storage the modules in suitable environment with regular packing.
20. Be careful of injury from a broken display module.
21. Please avoid the pressure adding to the surface (front or rear side) of modules, because it will cause the display non-uniformity or other function issue.