



Product Specification

G050TAN01.0

AU OPTRONICS CORPORATION

Preliminary Specifications

Final Specifications

Module	5" Inch Color TFT-LCD
Model Name	G050TAN01.0

Customer	Date
Checked & Approved by	
<hr/>	<hr/>

Approved by	Date
<u>Grace Hung</u>	<u>2017/11/22</u>
Prepared by	
<hr/>	<hr/>
Jon Tseng	2017/11/22
General Display Business Unit / AU Optronics corporation	

Contents

1. Operating Precautions	4
2. General Description	5
2.1 Display Characteristics	5
2.2 Display Optical Characteristics	6
3. Functional Block Diagram	9
4. Absolute Maximum Ratings	10
4.1 Absolute Ratings of TFT LCD Module	10
4.2 Absolute Ratings of Environment	10
5. Electrical Characteristics	11
5.1 TFT LCD Module	11
5.2 Backlight Unit	17
6. Signal Characteristic	18
6.1 Pixel Format Image	18
6.2 Signal Description	19
6.3 Interface Timing	20
6.4 Power ON/OFF Sequence	22
7. Reliability Test Criteria	23
8. Mechanical Characteristics	24
8.1 Total Solution Outline Dimension	24
9. Label and Packaging	25
9.1 Shipping Label (on the rear side of TFT-LCD display)	25
Label 大小 : 30mm*5mm	25
9.2 Carton/Pallet Package	25
10 Safety	26
10.1 Sharp Edge Requirements	26
10.2 Materials	26
10.3 Capacitors	26
10.4 National Test Lab Requirement	26



Product Specification

AU OPTRONICS CORPORATION

G050TAN01.0

Record of Revision

Version and Date	Page	Old description	New Description
0.0 Nov 22, 2017	All	First draft specification	-

1. Operating Precautions

- 1) Since front polarizer is easily damaged, please be cautious and not to scratch it.
- 2) Be sure to turn off power supply when inserting or disconnecting from input connector.
- 3) Wipe off water drop immediately. Long contact with water may cause discoloration or spots.
- 4) When the panel surface is soiled, wipe it with absorbent cotton or soft cloth.
- 5) Since the panel is made of glass, it may be broken or cracked if dropped or bumped on hard surface.
- 6) To avoid ESD (Electro Static Discharge) damage, be sure to ground yourself before handling TFT-LCD Module.
- 7) Do not open nor modify the module assembly.
- 8) Do not press the reflector sheet at the back of the module to any direction.
- 9) In case if a module has to be put back into the packing container slot after it was taken out from the container, do not press the center of the LED light bar edge. Instead, press at the far ends of the LED light bar edge softly. Otherwise the TFT Module may be damaged.
- 10) At the insertion or removal of the Signal Interface Connector, be sure not to rotate nor tilt the Interface Connector of the TFT Module.
- 11) TFT-LCD Module is not allowed to be twisted & bent even force is added on module in a very short time. Please design your display product well to avoid external force applying to module by end-user directly.
- 12) Small amount of materials having no flammability grade is used in the LCD module. The LCD module should be supplied by power complied with requirements of Limited Power Source (IEC60950 or UL1950), or be applied exemption.
- 13) Severe temperature condition may result in different luminance, response time and lamp ignition voltage.
- 14) Continuous operating TFT-LCD display under low temperature environment may accelerate lamp exhaustion and reduce luminance dramatically.
- 15) The data on this specification sheet is applicable when LCD module is placed in landscape position.
- 16) Continuous displaying fixed pattern may induce image sticking. It's recommended to use screen saver or shuffle content periodically if fixed pattern is displayed on the screen.

2. General Description

This specification applies to the Color Active Matrix Liquid Crystal Display G050TAN01.0 composed of a TFT-LCD display, a driver and power supply circuit, and a LED backlight system. The screen format is intended to support HD (720(H) x 1280(V)) screen and 16.7M (8-bits).

All input signals are MIPI interface.

G050TAN01.0 designed with wide viewing angle; wide temperature and long life LED backlight is well suited for industrial applications.

G050TAN01.0 is a RoHS product.

2.1 Display Characteristics

The following items are characteristics summary on the table under 25 °C condition:

Items	Unit	Specifications
Screen Diagonal	[inch]	4.99
Active Area	[mm]	62.1 x 110.4
Pixels H x V		720 (RGB) x 1280
Pixel Pitch	[mm]	0.086 X 0.086
Pixel Arrangement		R.G.B. Vertical Stripe
Display Mode		Normally Black
Nominal Input Voltage VDD	[Volt]	VDDI=1.8V, VCI=2.8V
Power Consumption	[Watt]	1.65 (max.)
Weight	[Grams]	35
Physical Size (type.)	[mm]	66.7(H) x 120.3(V)
Electrical Interface		MIPI
Surface Treatment		AG (3H)
Support Color		16.7M colors
Temperature Range		
Operating	[°C]	-20 to +70
Storage (Non-Operating)	[°C]	-30 to +80
RoHS Compliance		RoHS Compliance

2.2 Display Optical Characteristics

The optical characteristics are measured under stable conditions at 25 °C (Room Temperature):

Item	Unit	Conditions	Min.	Typ.	Max.	Note
White Luminance (LCD only)	[cd/m ²]	I _{LED} = 25.4 mA (*2 parallels) (center point)		600		1
Uniformity	%	5 points	75			2,3
Contrast Ratio				1000		4
Response Time	[msec]	Rising				5
	[msec]	Falling				
	[msec]	Rising + Falling		35		
Viewing Angle	[degree]	Horizontal (Right) CR = 10 (Left)		89		6
	[degree]			89		
	[degree]	Vertical (Upper) CR = 10 (Lower)		89		
	[degree]			89		
Color / Chromaticity Coordinates (CIE 1931)		Red x	0.591	0.641	0.691	
		Red y	0.288	0.338	0.388	
		Green x	0.250	0.300	0.350	
		Green y	0.569	0.619	0.669	
		Blue x	0.104	0.154	0.204	
		Blue y	0.012	0.062	0.112	
		White x	0.263	0.313	0.363	
		White y	0.279	0.329	0.379	
Color Gamut	%			70		

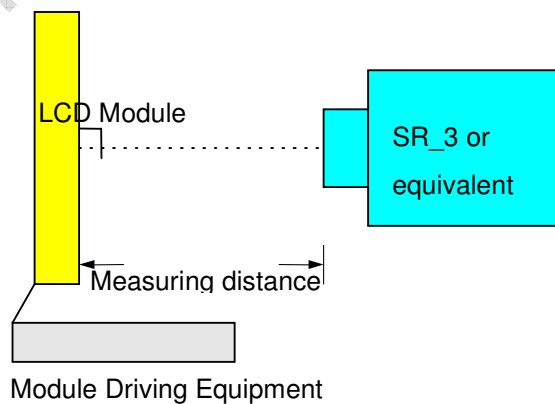
Note 1: Measurement method

1.1. Equipment Pattern Generator, Power Supply, Digital Voltmeter, Luminance meter (SR_3 or equivalent)

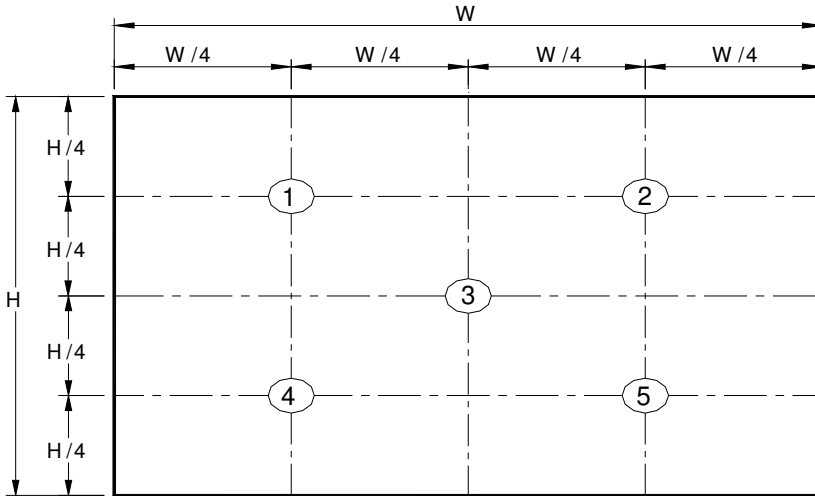
Aperture 1□ with 50cm viewing distance

Test Point Center

Environment < 1 lux



Note 2: Definition of 5 points position (Display active area: 62.1 x 110.4)



Note 3: The luminance uniformity of 5 points is defined by dividing the minimum luminance values by the maximum test point luminance

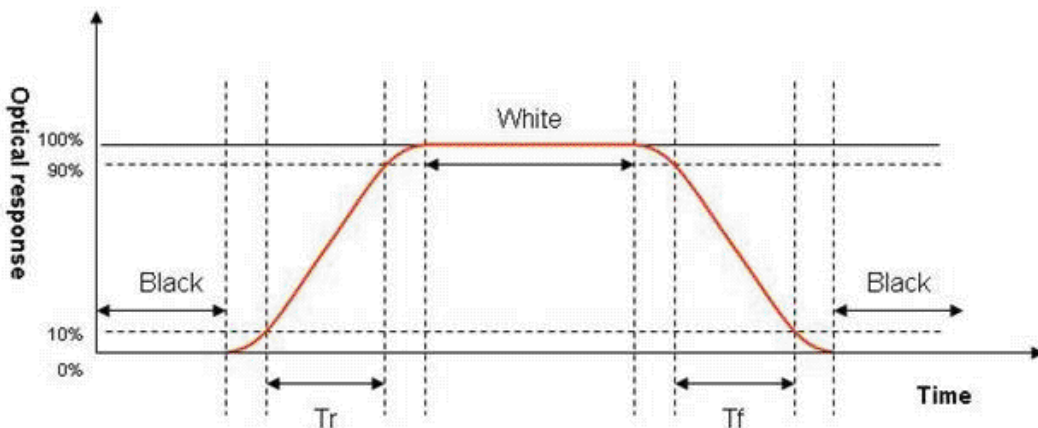
$$\delta_{w5} = \frac{\text{Minimum Brightness of five points}}{\text{Maximum Brightness of five points}}$$

Note 4: Definition of contrast ratio (CR):

$$\text{Contrast ratio (CR)} = \frac{\text{Brightness on the "White" state}}{\text{Brightness on the "Black" state}}$$

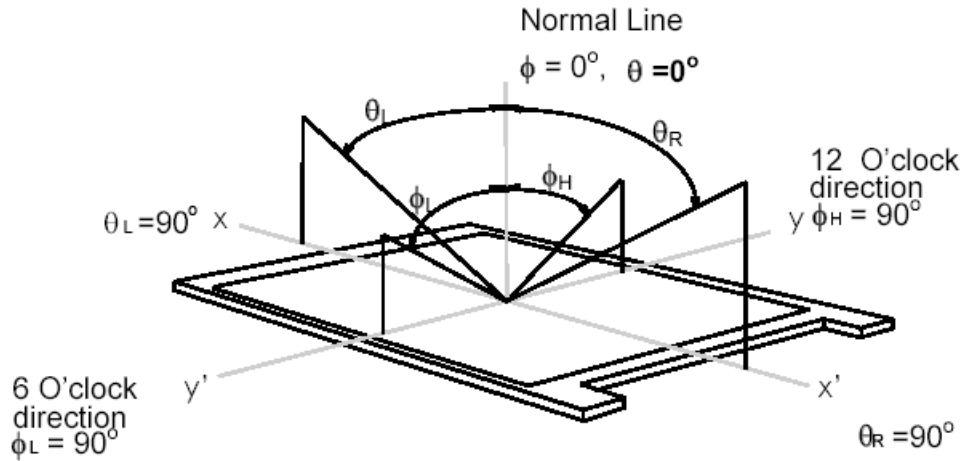
Note 5: Definition of response time:

The output signals of photo detector are measured when the input signals are changed from "White" to "Black" (falling time) and from "Black" to "White" (rising time), respectively. The response time interval is between 10% and 90% of amplitudes. Please refer to the figure as below.



Note 6: Definition of viewing angle

Viewing angle is the measurement of contrast ratio ≥ 10 , at the screen center, over a 180° horizontal and 180° vertical range (off-normal viewing angles). The 180° viewing angle range is broken down as below: 90° (θ) horizontal left and right, and 90° (Φ) vertical high (up) and low (down). The measurement direction is typically perpendicular to the display surface with the screen rotated to its center to develop the desired measurement viewing angle.

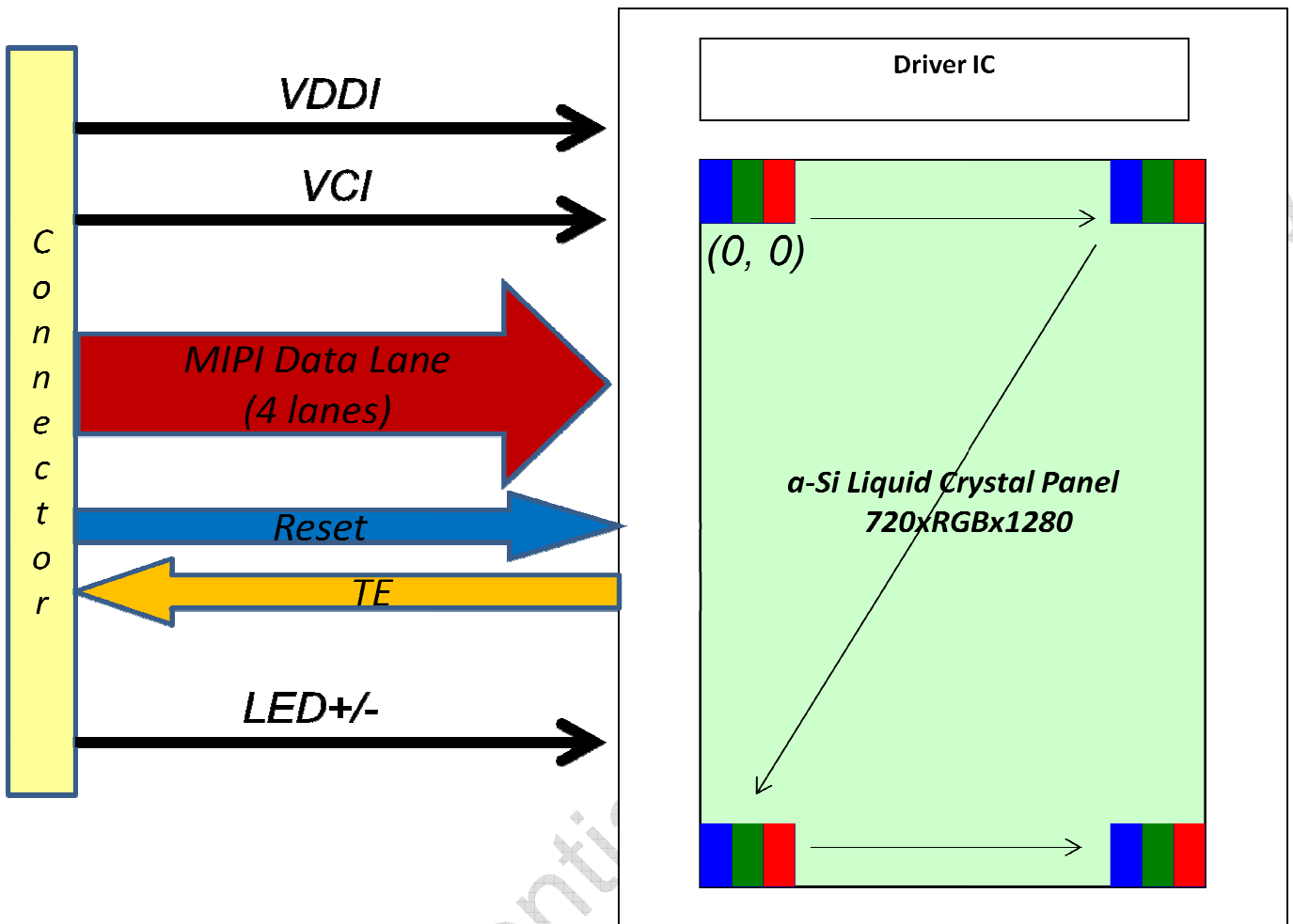


only

AUO Confidential

3. Functional Block Diagram

The following diagram shows the functional block of the 5 inch color TFT/LCD module:



AUO Confidential

4. Absolute Maximum Ratings

4.1 Absolute Ratings of TFT LCD Module

Item	Symbol	Min	Max	Unit
Logic Supply Voltage	VDDI	-0.3	5.5	[Volt]
Analog Supply Voltage	VCI	-0.3	5.5	[Volt]

Note: If the absolute maximum rating of even is one of the above parameters is exceeded even momentarily, the quality of the product may be degraded. Absolute maximum ratings, therefore, specify the values exceeding which the product may be physically damaged. Be sure to use the product within the range of the absolute maximum ratings.

4.2 Absolute Ratings of Environment

Item	Symbol	Min	Max	Unit
Operating Temperature	TOP	-20	70	[°C]
Storage Temperature	TST	-30	80	[°C]

Note: Maximum Wet-Bulb should be 39 °C and no condensation.

5. Electrical Characteristics

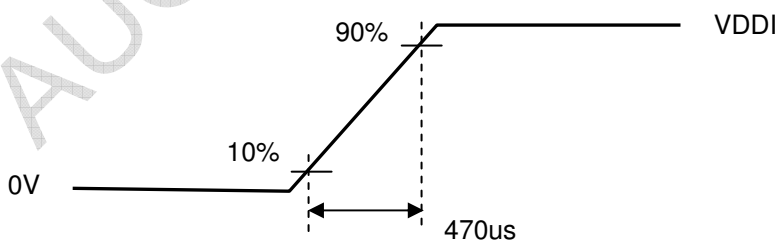
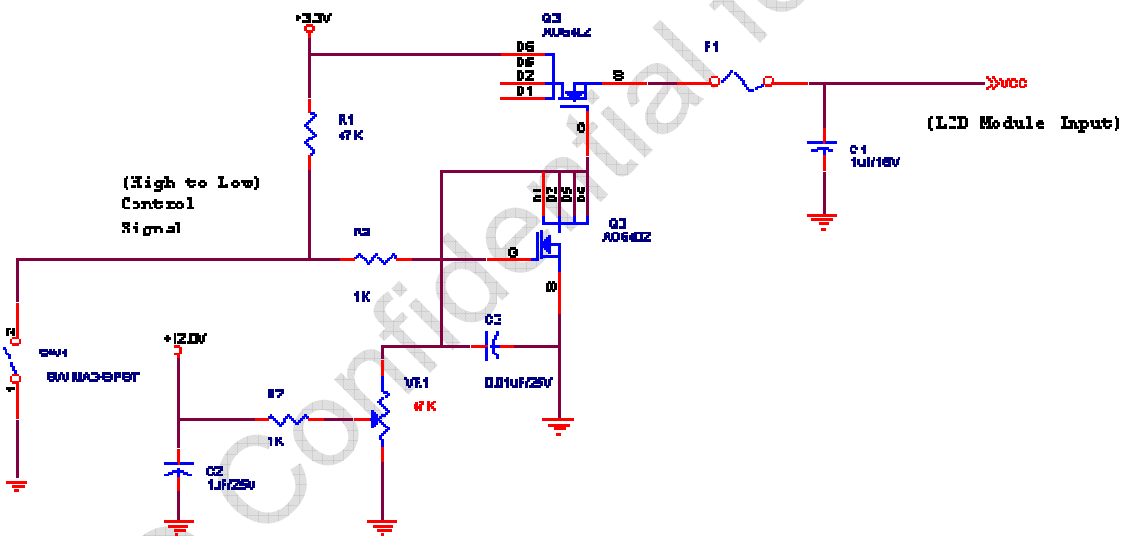
5.1 TFT LCD Module

5.1.1 Power Specification

Input power specifications are shown as follows;

Symbol	Parameter	Min	Typ	Max	Units	Remark
VDDI	Logic Operating Voltage	1.65	1.8	3.6	[Volt]	
VCI	Analog Operating Voltage	2.5	2.8	3.6	[Volt]	Black Pattern (VDDI=1.8V, at 60Hz)
I _{VDDI}	VDDI Current	-	30	40	[mA]	Note 1
I _{VCI}	VCI Current	-	5	12	[mA]	Note 1
I _{Rush}	Inrush Current			1500	[mA]	
P _{VCC}	VCC Power	-	68	105.6	[mWatt]	Black Pattern (VDDI=1.8V, VCI=2.8V, at 60Hz)
VDDI _{rp}	Allowable Logic/LCD Drive Ripple Voltage			100	[mV] p-p	

Note 1: Measurement condition:

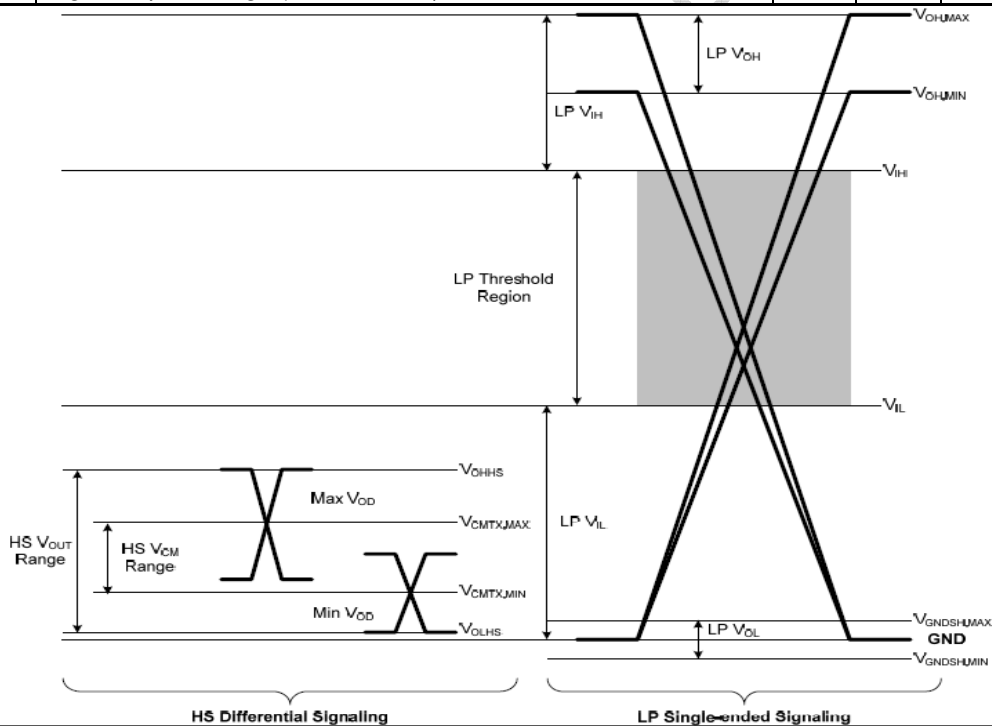


VDDI rising time

5.1.2 Signal Electrical Characteristics

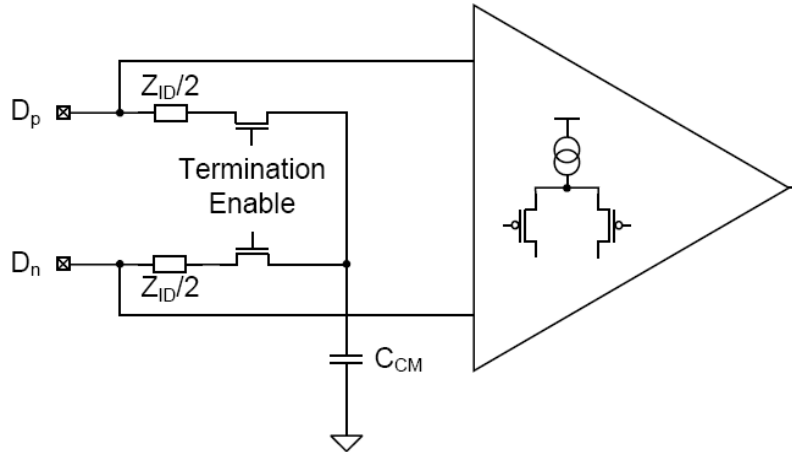
- MIPI DC characteristics are as follows :

MIPI Receiver Differential Input (DC Characteristics)					
Symbol	Parameter	Min	Typ	Max	Unit
BR _{MIPI}	Input data bit rate	200	-	1000	Mbps
V _{CMRX}	Common-mode voltage(HS Rx mode)	155	-	330	mV
V _{IDTH}	Differential input high threshold (HS Rx mode)	-	-	70	mV
V _{IDTL}	Differential input low threshold (HS Rx mode)	-70	-	-	mV
V _{IDM}	Differential input voltage range (HS Rx mode)	70	-	500	mV
V _{IHHS}	Single-end input high voltage (HS Rx mode)	-	-	460	mV
V _{ILHS}	Single-end input low voltage (HS Rx mode)	-40	-	-	mV
Z _{ID}	Differential input impedance	80	100	125	Ω
V _{IHL P}	Logic 1 input voltage (LP Rx mode)	880			mV
V _{ILL P}	Logic 0 input voltage (LP Rx mode)			550	mV



MIPI Receiver Differential Input (AC Characteristics)						
Symbol	Parameter	Conditions	Min	Typ	Max	Unit
$\Delta V_{CMRX(HF)}$	Common-mode interference beyond 450MHz		-	-	100	mV
$\Delta V_{CMRX(LF)}$	Common-mode interference 50MHz ~ 450MHz		-50	-	50	mV
C _{CM}	Common-mode termination		-	-	60	pF
U _{IINST}	UI instantaneous		1		12.5	ns

- HS RX Scheme

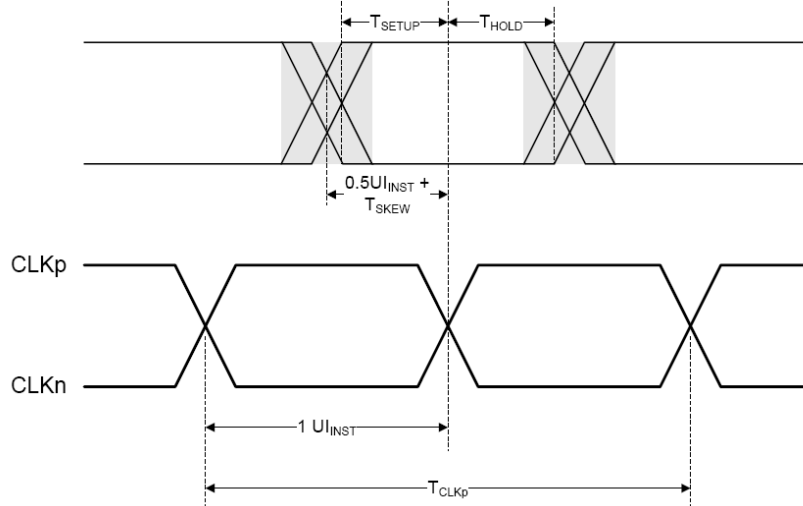


Symbol	Parameter	Min	Typ	Max	Unit	Notes
$T_{SKEW[IX]}$	Data to Clock Skew (measured at transmitter)	-0.15		0.15	U_{INST}	1
$T_{SETUP[IRXI]}$	Data to Clock Setup Time (receiver)	0.25			U_{INST}	2
$T_{HOLD[IRXI]}$	Data to Clock Hold Time (receiver)	0.25			U_{INST}	2

Note:

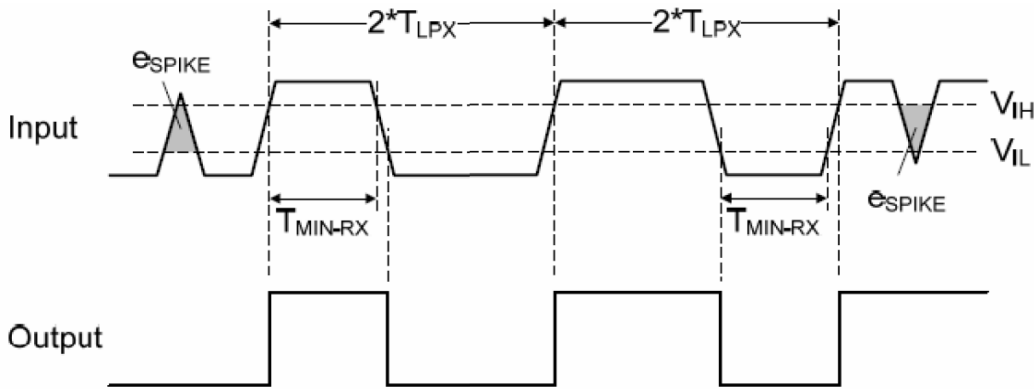
1. Total silicon and package delay budget of $0.25 \cdot U_{INST}$
2. Total setup and hold window for receiver of $0.5 \cdot U_{INST}$

- High Speed Data Transmission: Data to Clock Timing

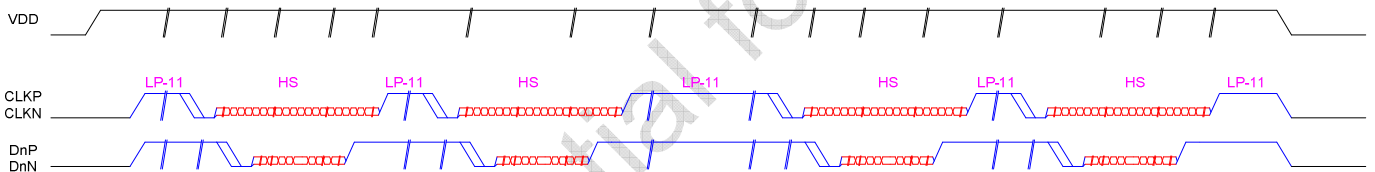


LP Receiver AC Specifications						
Symbol	Parameter	Conditions	Min	Typ	Max	Unit
e_{SPIKE}	Input pulse rejection		-	-	300	$V \cdot ps$
T_{MIN-RX}	Minimum pulse width response		50	-	-	ns
V_{INT}	Peak interference amplitude		-	-	200	mV
f_{INT}	Interference frequency		450	-	-	MHz

- Input Glitch Rejection of Low-Power Receivers



For MIPI data transmission from TX to TCON works properly in video mode, it is suggested that all of MIPI lanes status follow the scheme showed in below. When power is turned on, all lanes (include clock lane) are into LP-11 status first. When TX wants to start transmitting data to TCON, the clock lane is into HS and start toggling. Then data lanes are into HS and data are transmitted. After data transmissions are finished (ex. H-blanking, V-blanking), the data lanes are returned to LP-11, then clock lane, too. The transmission start from LP-11 and stop in LP-11 on all lanes (include clock lane) are the recommended proper operation sequence for MIPI video mode.



The timing definitions are listed in below,

Parameter	Description	Min	Typ	Max	Unit
TCLK-MISS	Timeout for receiver to detect absence of Clock transitions and disable the Clock Lane HS-RX.			60	ns
TCLK-POST	Time that the transmitter continues to send HS clock after the last associated Data Lane has transitioned to LP Mode. Interval is defined as the period from the end of THS-TRAIL to the beginning of TCLK-TRAIL.	60 ns + 52*UI			ns
TCLK-PRE	Time that the HS clock shall be driven by the transmitter prior to any associated Data Lane beginning the transition from LP to HS mode.	8			UI
TCLK-PREPARE	Time that the transmitter drives the Clock Lane LP-00 Line state immediately before the HS-0 Line state starting the HS transmission.	38		95	ns
TCLK-SETTLE	Time interval during which the HS receiver shall ignore any Clock Lane HS transitions, starting from	95		300	ns

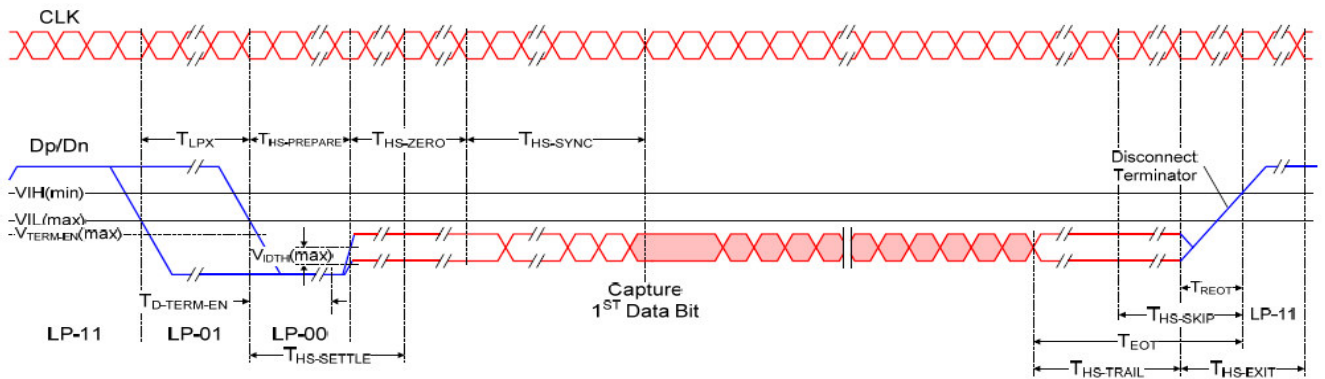
	the beginning of TCLK-PREPARE.				
TCLK-TERM-EN	Time for the Clock Lane receiver to enable the HS line termination, starting from the time point when Dn crosses VIL,MAX.			38	ns
TCLK-TRAIL	Time that the transmitter drives the HS-0 state after the last payload clock bit of a HS transmission burst.	60			ns
TCLK-PREPARE + TCLK-ZERO	TCLK-PREPARE + time that the transmitter drives the HS-0 state prior to starting the Clock.	300			ns
TD-TERM-EN	Time for the Data Lane receiver to enable the HS line termination, starting from the time point when Dn crosses VIL,MAX.			35 ns + 4*UI	ns
TEOT	Transmitted time interval from the start of THS-TRAIL or TCLK-TRAIL, to the start of the LP-11 state following a HS burst.			105 ns + 12*UI	ns
THS-EXIT	Time that the transmitter drives LP-11 following a HS burst.	100			ns
THS-SYNC	HS Sync-Sequence '00011101' period		8		UI
THS-PREPARE	Time that the transmitter drives the Data Lane LP-00 Line state immediately before the HS-0 Line state starting the HS transmission	40 ns + 4*UI		85 ns + 6*UI	ns
THS-PREPARE + THS-ZERO	THS-PREPARE + time that the transmitter drives the HS-0 state prior to transmitting the Sync sequence.	145 ns + 10*UI			ns
THS-SETTLE	Time interval during which the HS receiver shall ignore any Data Lane HS transitions, starting from the beginning of THS-PREPARE.	85 ns + 6*UI		145 ns + 10*UI	ns
THS-SKIP	Time interval during which the HS-RX should ignore any transitions on the Data Lane, following a HS burst. The end point of the interval is defined as the beginning of the LP-11 state following the HS burst.	40		55 ns + 4*UI	ns
THS-TRAIL	Time that the transmitter drives the flipped differential state after last payload data bit of a HS transmission burst	60 ns + 4*UI			ns
TLPX	Transmitted length of any Low-Power state period	50			ns
Ratio TLPX	Ratio of TLPX(MASTER)/TLPX(SLAVE)	2/3		3/2	

between Master and Slave side				
TTA-GET	Time that the new transmitter drives the Bridge state (LP-00) after accepting control during a Link Turnaround.		5*TLPX	ns
TTA-GO	Time that the transmitter drives the Bridge state (LP-00) before releasing control during a Link Turnaround.		4*TLPX	ns
TTA-SURE	Time that the new transmitter waits after the LP-10 state before transmitting the Bridge state (LP-00) during a Link Turnaround.	TLPX	2*TLPX	ns

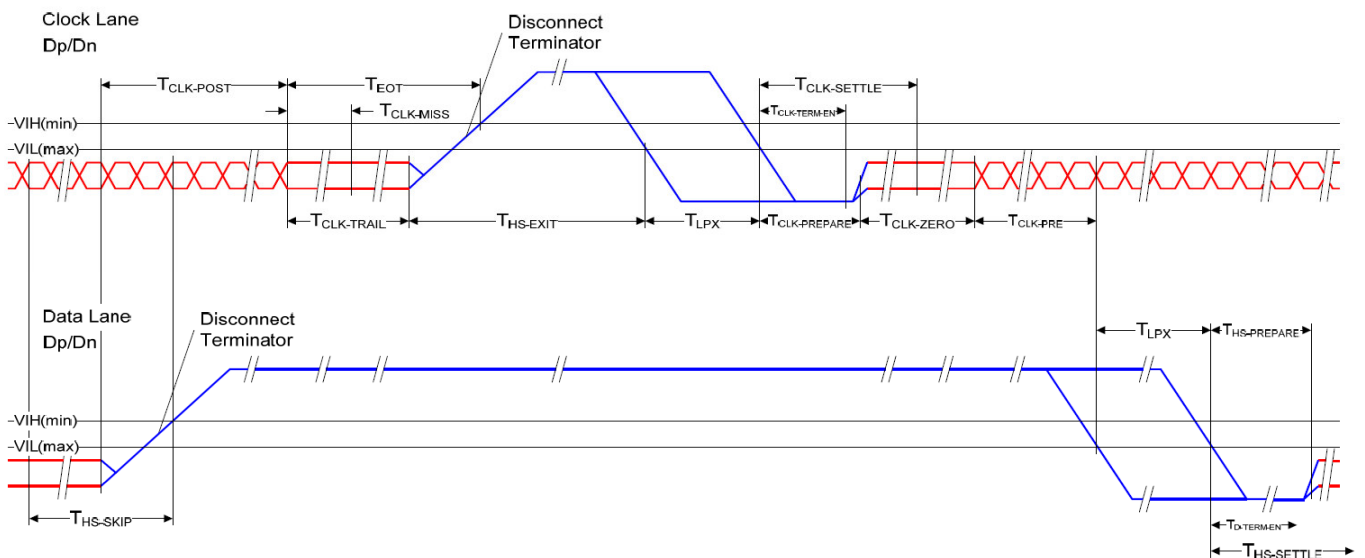
Note:

1. The minimum value depends on the bit rate. Implementations should ensure proper operation for all the supported bit rates.
2. TLPX is an internal state machine timing reference. Externally measured values may differ slightly from the specified values due to asymmetrical rise and fall times.
3. The I-chip of AUO use is not support BTA (BTA define ignore).

● High-Speed Data Transmission in Bursts



● Switching the Clock Lane between Clock Transmission and Low-Power Mode



5.2 Backlight Unit

5.2.1 Parameter guideline for LED

Following characteristics are measured under a stable condition using an inverter at 25□ (Room Temperature):

Symbol	Parameter	Min.	Typ.	Max.	Unit	Remark
IF	LED Forward Current	-	25.4	-	mA	Ta = 25°C 50.8mA for 2 parallel
VLED	LED Forward Voltage	-	14.25	15.5	[Volt]	I _F = 25.4mA, Ta = 25°C
PLED	LED Power Consumption	-	0.73	-	Watt	I _F = 25.4mA, Ta = 25°C w/o efficiency
LED life time		10,000	-	-	Hrs	I _F = 25.4 mA, Ta = 25°C

Note 1: Ta means ambient temperature of TFT-LCD module.

Note 2: IF, VLED , PLED are defined for LED Light Bar. There is two LED channel (AN1-CA1, AN2-CA2) in back light unit.

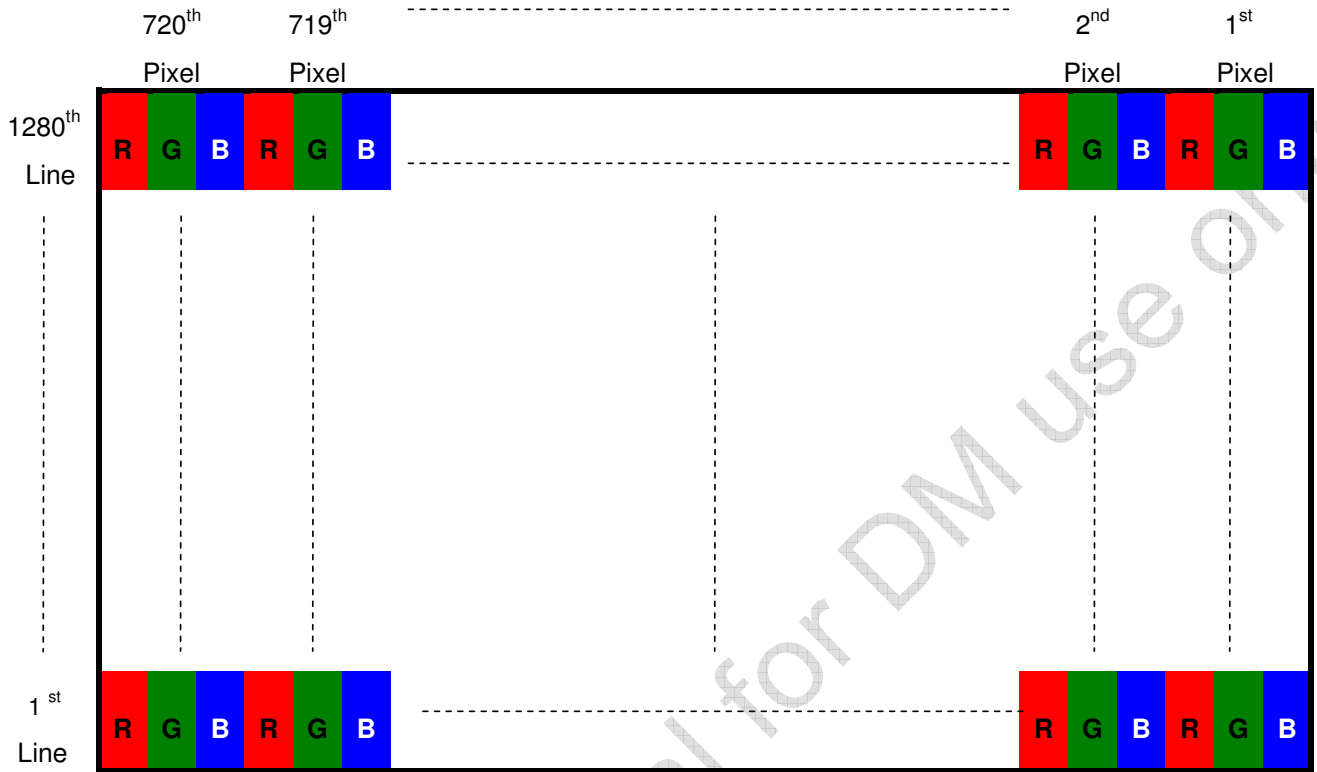
Note 3: If G050TAN01.0 module is driven by high current or at high ambient temperature & humidity condition. The operating life will be reduced.

Note 4: Operating life means brightness goes down to 50% initial brightness. Typical operating life time is estimated data.

6. Signal Characteristic

6.1 Pixel Format Image

Following figure shows the relationship between input signal and LCD pixel format.



6.2 Signal Description

6.2.1 LCD MIPI Interface pin description

Connector Name / Designation	Signal Connector
Manufacturer	MOLEX or compatible
Connector Model Number	55650-0388 or compatible
Mating Model Number	54363-0389 or compatible

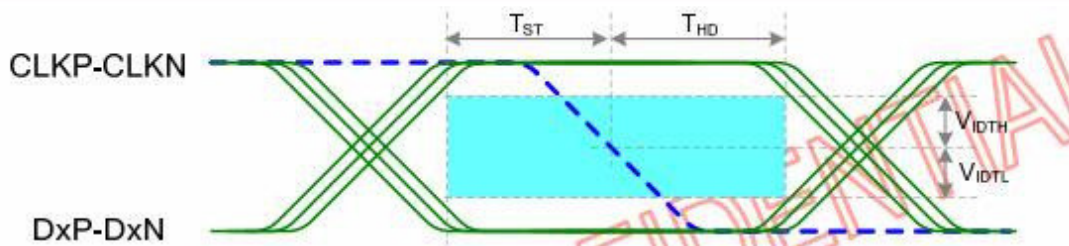
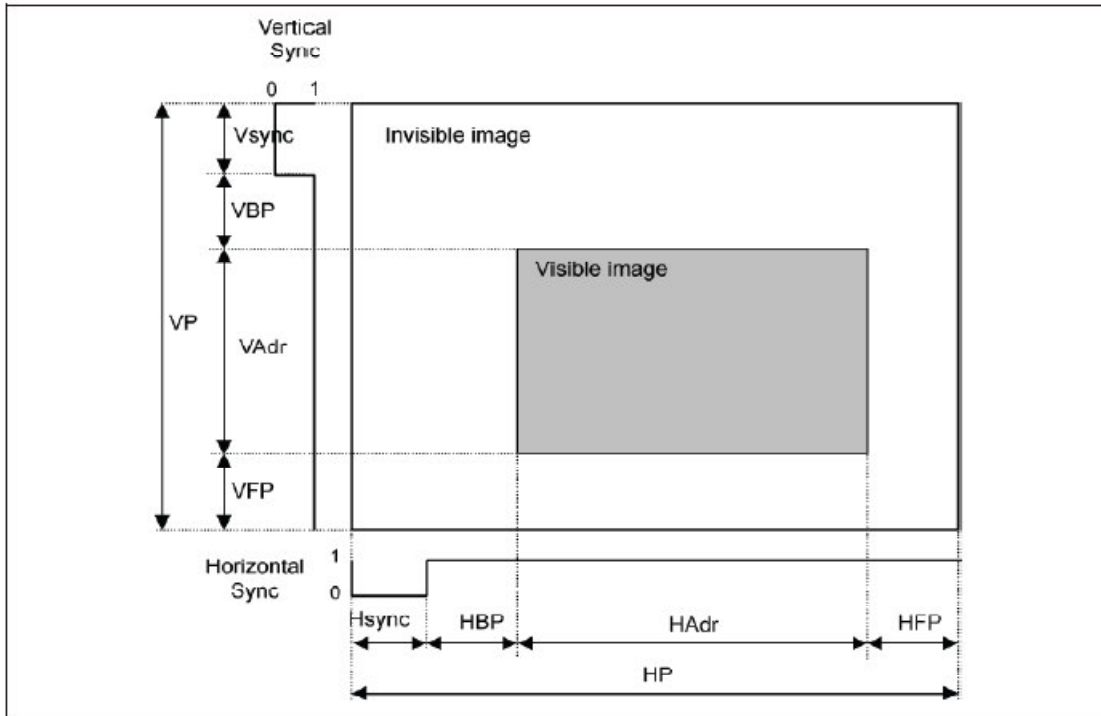
Pin no	Symbol	Description	Remark
1	D0-	DSI_D0- differential data signal	
2	GND	Ground	
3	D0+	DSI_D0+ differential data signal	
4	NC		
5	GND	Ground	
6	TE	Frame head pulse signal	
7	D1-	DSI_D1- differential data signal	
8	RESET		
9	D1+	DSI_D1+ differential data signal	
10	NC		
11	GND	Ground	
12	VDDI	I/O supply voltage range 1.65V~3.6V	
13	CLK-	DSI_CLK- differential data signal	
14	GND	Ground	
15	CLK+	DSI_CLK+ differential data signal	
16	VCI	Analog supply voltage range 2.5V~3.6V	
17	GND	Ground	
18	GND	Ground	
19	D2-	DSI_D2- differential data signal	
20	LED_A1	LED+	
21	D2+	DSI_D2+ differential data signal	
22	LED_A2	LED+	
23	GND	Ground	
24	LED_C1	LED-	
25	D3-	DSI_D3- differential data signal	
26	LED_C2	LED-	
27	D3+	DSI_D3+ differential data signal	
28	GND	Ground	
29	GND	Ground	
30	GND	Ground	

6.3 Interface Timing

● Timing Characteristics

Basically, interface timings should match the 720 x 1280 /60 Hz manufacturing guide line timing.

ITEM		SYMBOL	min	typ	max	UNIT	
LCD	Frame Rate		-	60		Hz	
Timing	DCLK	Frequency	fCLK		77.94	MHz	
		Period	Tclk	1		ns	
	Horizontal	Horizontal total time	tHP		976		t _{CLK}
		Horizontal Active time	tHadr	720			t _{CLK}
		Horizontal Pulse Width	tHsync		128		t _{CLK}
		Horizontal Back Porch	tHBP		72		t _{CLK}
		Horizontal Front Porch	tHFP		56		t _{CLK}
		Vertical	Vertical total time	tpv		1331	
	Vertical Active time		tVadr	1280			t _H
	Vertical Pulse Width		tVsync		10		t _H
	Vertical Back Porch		tVBP		38		t _H
	Vertical Front Porch		tVFP		3		t _H
	Differential Swing		VDswing	140			mV
Bit Rate		TX SPD (MBPS)		500		Mbps	
Pixel Fomat				8		Data bit/ pixel	
Lane				4		Lane	

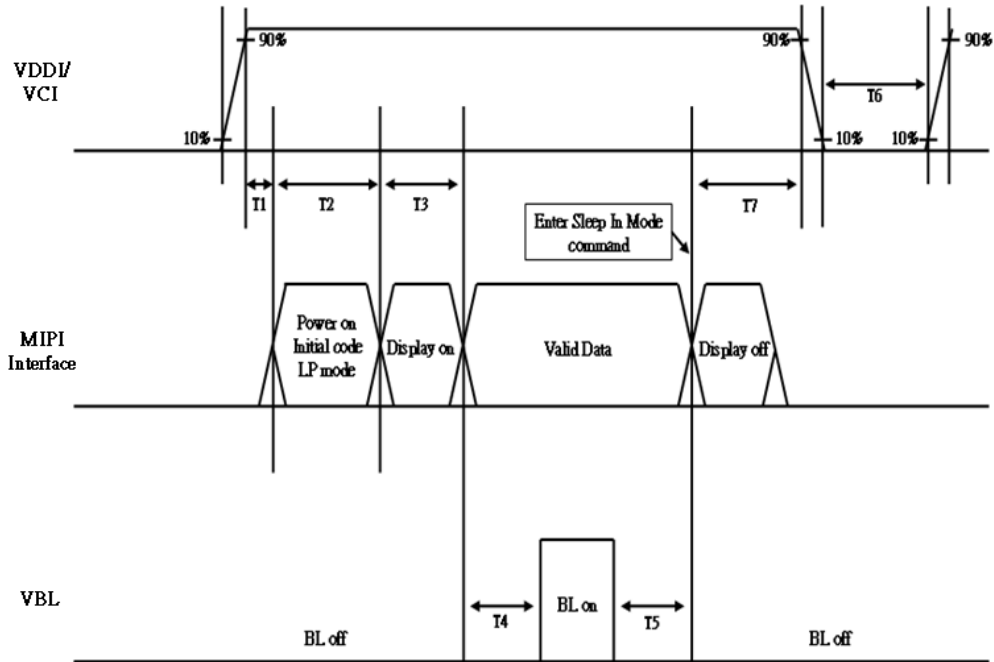


Note: VIDTH is the input high threshold and should $>70mV$

VIDTL is the input low threshold and should $<-70mV$

6.4 Power ON/OFF Sequence

Power on/off sequence is as follows. Interface signals and LED on/off sequence are also shown in the chart.

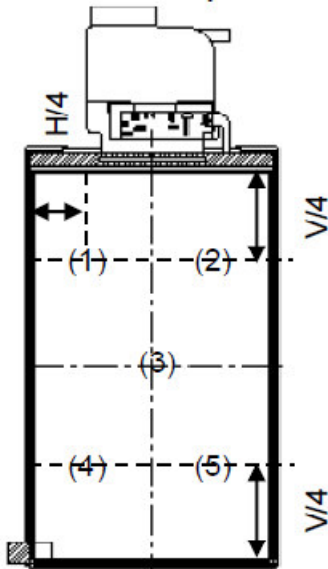


Parameter	Value			Unit	Remark
	Min.	Typ.	Max.		
T1	20	-	-	ms	
T2	120	-	-	ms	
T3	10	-	-	ms	
T4	200	-	-	ms	
T5	110	-	-	ms	
T6	500	-	-	ms	
T7	60	-	-	ms	

7. Reliability Test Criteria

Items	Required Condition	Note
Temperature Humidity Bias	60 °C, 90%RH, 240 hours	
High Temperature Operation	70 °C, 240 hours	
Low Temperature Operation	-20 °C, 240 hours	
Hot Storage	80 °C, 240 hours	
Cold Storage	-30 °C, 240 hours	
Thermal Shock Test	-20 °C / 30 min, 70 °C / 30 min, 100cycles, 40 °C minimum ramp rate	
Shock Test (Non-Operating)	50G, 20ms, Half-sine wave, (±X, ±Y, ±Z)	
Vibration Test (Non-Operating)	1.5G, (10~200Hz, Sine wave) 30 mins/axis, 3 direction (X, Y, Z)	
ESD	TBD	
EMI	TBD	

Note1: ESD Criteria.

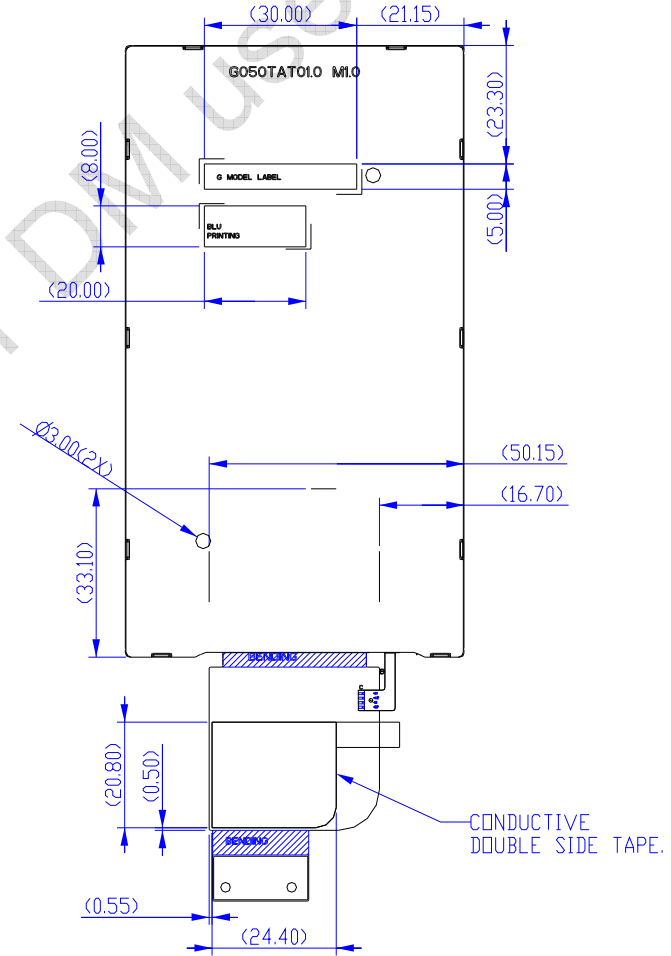
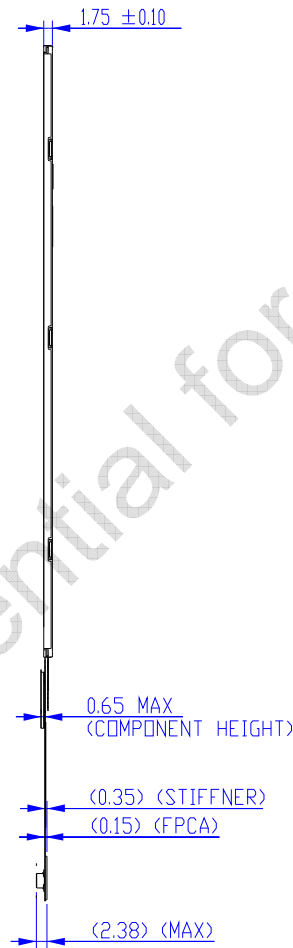
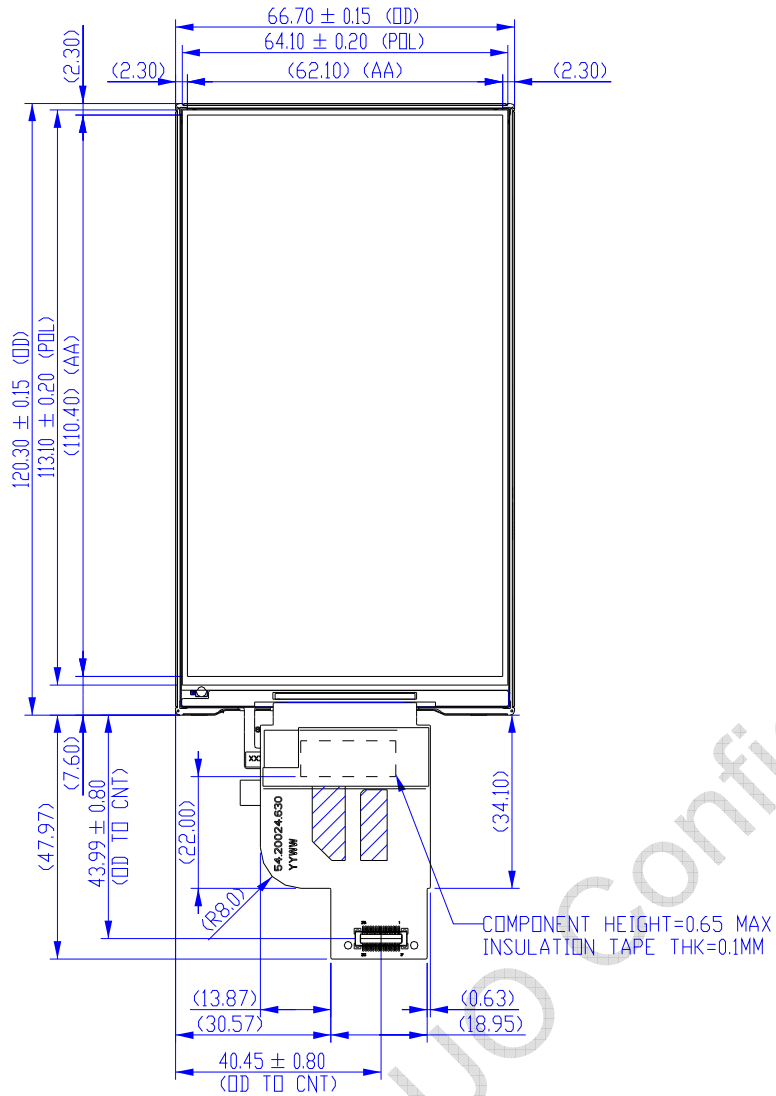


Note2:

- Water condensation is not allowed for each test items.
- Each test is done by new TFT-LCD module. Don't use the same TFT-LCD module repeatedly for reliability test.
- The reliability test is performed only to examine the TFT-LCD module capability.
- To inspect TFT-LCD module after reliability test, please store it at room temperature and room humidity for 24 hours at least in advance.
- In the standard condition, there is not display function NG issue occurred.

8. Mechanical Characteristics

8.1 Total Solution Outline Dimension



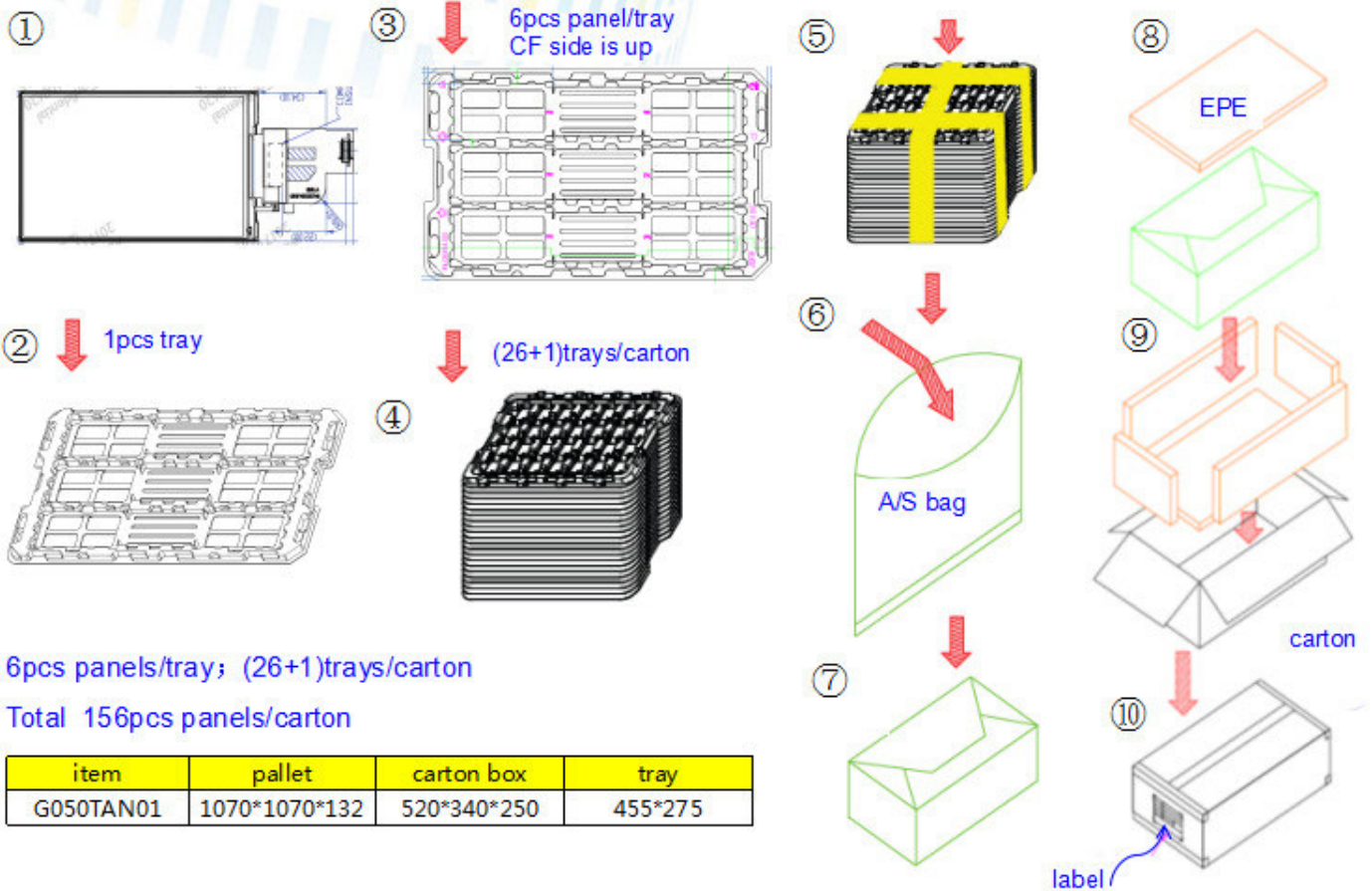
9. Label and Packaging

9.1 Shipping Label (on the rear side of TFT-LCD display)

Label 大小 : 30mm*5mm



9.2 Carton/Pallet Package



item	pallet	carton box	tray
G050TAN01	1070*1070*132	520*340*250	455*275

10 Safety

10.1 Sharp Edge Requirements

There will be no sharp edges or comers on the display assembly that could cause injury.

10.2 Materials

10.2.1 Toxicity

There will be no carcinogenic materials used anywhere in the display module. If toxic materials are used, they will be reviewed and approved by the responsible AUO toxicologist.

10.2.2 Flammability

All components including electrical components that do not meet the flammability grade UL94-V1 in the module will complete the flammability rating exception approval process.

The printed circuit board will be made from material rated 94-V1 or better. The actual UL flammability rating will be printed on the printed circuit board.

10.3 Capacitors

If any polarized capacitors are used in the display assembly, provisions will be made to keep them from being inserted backwards.

10.4 National Test Lab Requirement

The display module will satisfy all requirements for compliance to:

UL 60950-1 second edition U.S.A. Information Technology Equipment