

## TFT LCD Tentative Specification

# MODEL NO.: G080Y1-T01

Customer: \_\_\_\_\_

Approved by: \_\_\_\_\_

Note:

記錄	工作	審核	角色	投票
2009-02-10 20:25:40 CST	PMMD Director	cs_lee(李志聖 /17564/44926)	Director	Accept

- CONTENTS -

REVISION HISTORY	-----	3
1. GENERAL DESCRIPTION	-----	4
1.1 OVERVIEW		
1.2 FEATURES		
1.3 APPLICATION		
1.4 GENERAL SPECIFICATIONS		
1.5 MECHANICAL SPECIFICATIONS		
2. ABSOLUTE MAXIMUM RATINGS	-----	6
2.1 ABSOLUTE RATINGS OF ENVIRONMENT		
2.2 ELECTRICAL ABSOLUTE RATINGS		
2.2.1 TFT LCD MODULE		
2.2.2 BACKLIGHT UNIT		
3. ELECTRICAL CHARACTERISTICS	-----	8
3.1 RECOMMENDED OPERATING CONDITION		
3.2 CURRENT CONSUMPTION		
3.3 BACKLIGHT UNIT		
4. BLOCK DIAGRAM	-----	10
4.1 TFT LCD MODULE		
4.2 BACKLIGHT UNIT		
5. INPUT TERMINAL PIN ASSIGNMENT	-----	11
5.1 FPC I/O PIN ASSIGNMENT		
5.2 BACKLIGHT FPC PIN ASSIGNMENT		
5.3 SCANNING DIRECTION		
5.4 COLOR DATA INPUT ASSIGNMENT		
6. INTERFACE TIMING	-----	15
6.1 AC ELECTRICAL CHARACTERISTICS		
6.2 POWER ON/OFF SEQUENCE		
7. OPTICAL CHARACTERISTICS	-----	18
7.1 TEST CONDITIONS		
7.2 OPTICAL SPECIFICATIONS		
8. PACKAGING	-----	21
9. DEFINITION OF LABELS	-----	21
10. PRECAUTIONS	-----	22
12. MECHANICAL CHARACTERISTICS	-----	23

**REVISION HISTORY**

<b>Version</b>	<b>Date</b>	<b>Section</b>	<b>Description</b>
Ver 0.0	Jan. 09, '09	All	G080Y1-T01 Tentative specification was first issued.

## 1. GENERAL DESCRIPTION

### 1.1 OVERVIEW

G080Y1-T01 is a 8inch TFT Liquid Crystal Display module with a LED backlight unit and a-60-pin-and-1ch-TTL interface. This module supports 800 (R.G.B )x 480 WVGA mode which main application is the automotive display and industrial field.

### 1.2 FEATURES

- Wide viewing angle.
- Fast response time
- WVGA ( 800 x 480 pixels) resolution
- Wide operating temperature
- Reversible - scan function
- 6/8 bit convertible

### 1.3 APPLICATION

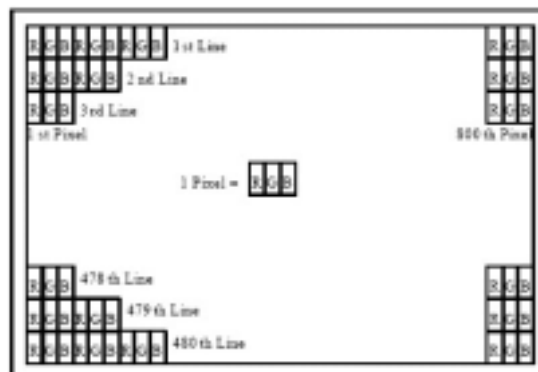
- Automotive Display
- Industry Application

### 1.4 GENERAL SPECIFICATIONS

Item	Specification	Unit	Note
Diagonal Size	8	inch	
Active Area	173.4x104.4	mm	(1)
Bezel Opening Area	(175.2x105.84)	mm	
Driver Element	a-si TFT active matrix	-	-
Pixel Number	800 x R.G.B. x 480	pixel	-
Pixel Pitch	0.2168 x 0.2168	mm	-
Pixel Arrangement	RGB vertical stripe	-	(2)
Display Colors	262k or 16.2M	color	-
Display Mode	Normal White	-	-
Surface Treatment	Anti-glare, Hard Coating ( 3H )	-	-
Weight	(200)	g	

Note (1) Please refer to the attached drawings for more information of front and back outline dimensions.

Note (2)



## 1.5 MECHANICAL SPECIFICATIONS

Item		Min.	Typ.	Max.	Unit	Note
Module Size	Horizontal(H)	(189.7)	(190)	(190.3)	mm	(1)
	Vertical(V)	(119.7)	(120)	(120.3)	mm	
	Depth(D)	(4.76)	(5.06)	(5.36)	mm	

Note (1) Please refer to the attached drawings for more information of front and back outline dimensions.

## 2. ABSOLUTE MAXIMUM RATINGS

### 2.1 ABSOLUTE RATINGS OF ENVIRONMENT

No.	Test Item	Test Condition	Note
1	High Temperature Storage	95 , 240 hours	(1) (2)
2	Low Temperature Storage	-40 , 240 hours	
3	Thermal Shock Storage	{{(-40 , 0.5 hour) (85 , 0.5 hour)}, 100 cycles	
4	High Temperature Operating	85 , 240 hours	
5	Low Temperature Operating	-30 , 240 hours	
6	High Temperature & High Humidity Operating	60 , 90% RH, 240hours	
7	Shock (Non-Operating)	100G, 6ms, +/-XYZ 3 times	(3)(5)
8	Vibration (Non-Operating)	3G, 10 to 200 Hz, sine wave	(4)(5)

Note (1) There should be no condensation on the surface of panel during test.

Note (2) The temperature of panel display surface area should be 90 Max.

Note (3) 6ms, half sine wave, 3 times for +/-X, +/-Y, +/-Z.

Note (4) 3 directions: X, Y and Z axes, 60min per each direction; 6 cycles; sweep time = 5 minutes; peak acceleration = 3G; frequency = 10 to 200 Hz; sine wave.

Note (5) At testing Vibration and Shock, the fixture in holding the module has to be hard and rigid enough so that the module would not be twisted or bent by the fixture.

Note (6) In the standard conditions, there is no function failure issue occurred. All the cosmetic specification is judged before the reliability test.

## 2.2 ELECTRICAL ABSOLUTE RATINGS

### 2.2.1 TFT LCD MODULE

 $T_a = 25 \pm 2 \text{ }^\circ\text{C}$ 

Parameter	Symbol	Value			Unit	Note
		Min.	Typ.	Max.		
Power Supply Voltage	VCC	(-0.3)		(6)	V	-
	AVDD	(6.5)		(13.5)	V	-
	VGH	(7)		( $V_{GL}+40$ )	V	
	VGL	(-20)		(-5)	V	-
Digital Input Voltage	$V_I$	(0.3)		( $V_{CC}+0.3$ )	V	(1)
Gamma Supply Voltage	V1~V5	(0.4AVDD)		(AVDD-0.3)	V	-
	V6~V10	(0.3)		(0.6AVDD)	V	-

Note (1)  $V_I$  means all input logic signal.

### 2.2.2 BACKLIGHT UNIT

 $T_a = 25 \pm 2 \text{ }^\circ\text{C}$ 

Item	Symbol	Value			Unit	Note
		Min.	Typ.	Max.		
LED Light Bar Power Supply Voltage	$V_L$	TBD	(32)	TBD	V	(1)
LED Light Bar Power Supply Current	$I_L$	TBD	(120)	TBD	mA	(1)

Note (1) Permanent damage to the device may occur if maximum or minimum values are exceeded. Function operation should be restricted to the conditions described under Normal Operating Conditions.

### 3. ELECTRICAL CHARACTERISTICS

#### 3.1 RECOMMENDED OPERATION CONDITION (GND = AVSS = 0V)

 $T_a = 25 \pm 2 \text{ }^\circ\text{C}$ 

Parameter	Symbol	Value			Unit	Note
		Min.	Typ.	Max.		
Power Supply Voltage	VCC	(3.0)	(3.3)	(3.6)	V	
	AVDD	(11.5)	(12)	(12.5)	V	
	VGH	(17)	(18)	(19)	V	
	VGL	(-8)	(-7)	(-6)	V	
Input Signal Voltage	V1~V5	(0.4AVDD)		(AVDD-0.3)	V	(1)
	V6~V10	(0.3)		(0.6AVDD)	V	(1)
	VCOM		(4.3)		V	
Digital Input Voltage	High Level	$V_{IH}$	(0.7V <sub>CC</sub> )	(V <sub>CC</sub> )	V	
	Low Level	$V_{IL}$	(0)	(0.3V <sub>CC</sub> )	V	

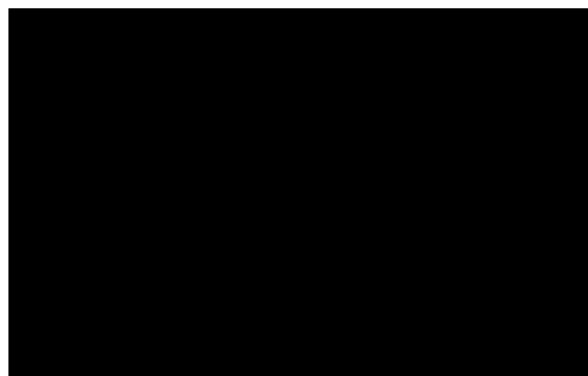
Note (1) Please refer to 11.1 application notes.

#### 3.2 CURRENT CONSUMPTION (GND = AVSS = 0V)

Parameter	Symbol	Value			Unit	Note
		Min.	Typ.	Max.		
Supply Current for Source/Gate Driver (Digital)	$I_{CC}$	-	(23)	TBD	mA	(1)
Supply Current for Source Driver (Analog)	$I_{DD}$	-	(31)	TBD	mA	(1)
Supply Current for Gate Driver (High Level)	$I_{GG}$	-	(0.35)	TBD	mA	(1)
Supply Current for Gate Driver (Low Level)	$I_{EE}$	-	(0.35)	TBD	mA	(1)

Note (1) The specified power supply current is under the conditions at VCC = 3.3 V,  $T_a = 25 \pm 2 \text{ }^\circ\text{C}$ ,  $f_v = 60 \text{ Hz}$ , whereas a power dissipation check pattern below is displayed.

Black Pattern



Active Area

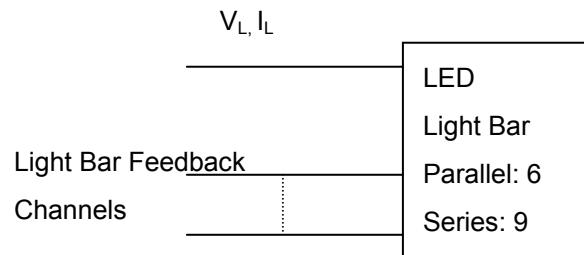


### 3.3 BACKLIGHT UNIT

Ta = 25 ± 2 °C

Parameter	Symbol	Value			Unit	Note
		Min.	Typ.	Max.		
LED Quantity		(54)			PCs	(1)
LED Light Bar Power Supply Voltage	V <sub>L</sub>	TBD	(32)	TBD	V	(1),(2) (Duty 100%)
LED Light Bar Power Supply Current	I <sub>L</sub>	-	(120)	-	mA	
Power Consumption	P <sub>L</sub>	-	(3.45)	-	W	(3), (Duty 100%)
LED Life Time	L <sub>BL</sub>	(30000)		-	Hrs	(4)

Note (1) LED light bar configuration is shown as below.

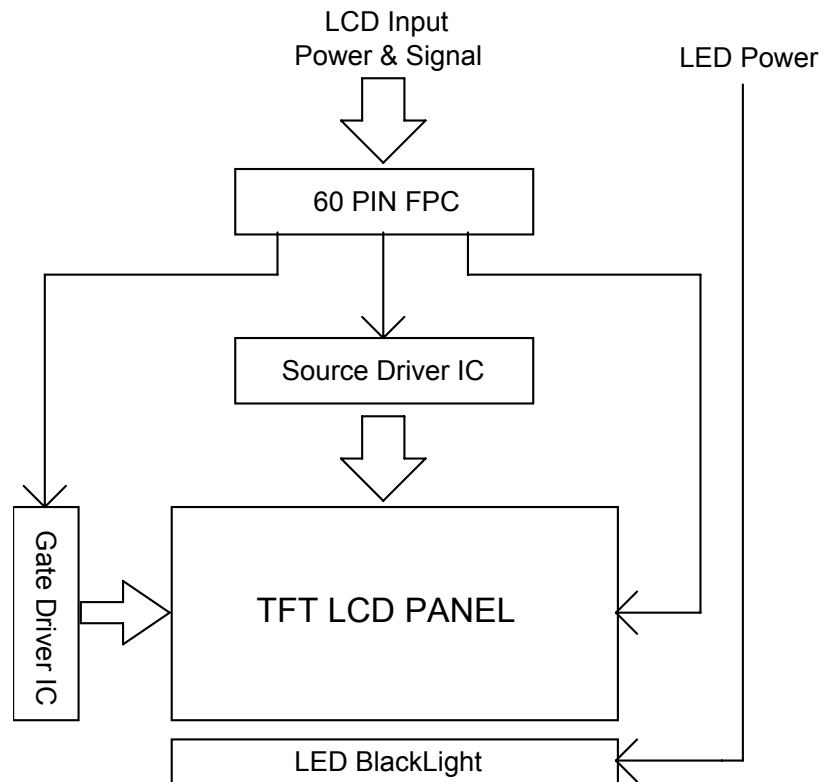


Note (2) For better LED light bar driving quality, it is recommended to utilize the adaptive boost converter with current balancing function to drive LED light-bar.

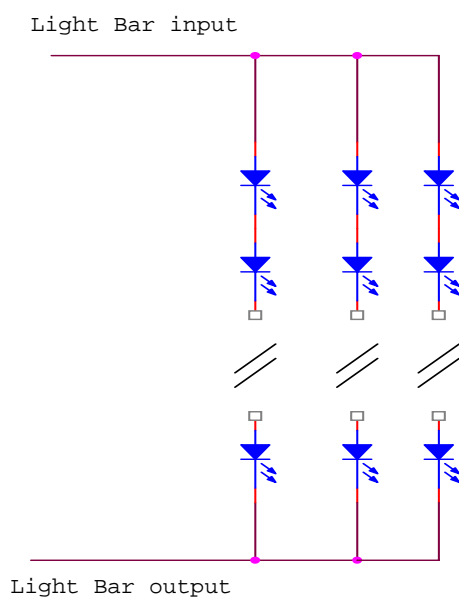
Note (3)  $P_L = I_L \times V_L$

Note (4) The lifetime of LED is defined as the time when it continues to operate under the conditions at Ta = 25 ± 2 °C and I<sub>L</sub> = 20 mA(Per EA) until the brightness becomes 50% of its original value.

4. BLOCK DIAGRAM  
4.1 TFT LCD MODULE



4.2 BACKLIGHT UNIT



## 5. INPUT TERMINAL PIN ASSIGNMENT

### 5.1 FPC I/O PIN ASSIGNMENT

Pin	Name	I/O	Description
1	GND	I	Power Ground
2	VGL	I	Gate OFF Power Supply Voltage
3	VGL	I	Gate OFF Power Supply Voltage
4	/XAO	I	Output all-on control When /XAO is set to L, all outputs are fixed to VGH
5	VDDG	I	Gate Driver Power supply (+3.3V)
6	VDDG	I	Gate Driver Power supply (+3.3V)
7	GND	I	Power Ground
8	VGH	I	Gate ON Power Supply Voltage
9	UD	I	Gate Driver Up/down scan setting When UD=H, reverse scan When UD=L, normal scan (Default pull low)
10	DE	I	Input data enable control When DE mode, active High to enable data input. (Default pull low)
11	FRC	I	Dithering control setting When FRC=H, the width of data input 8 bits When FRC=L, the width of data input 6 bits and set Dx0 and Dx1 to logical low (Default pull low)
12	B07	I	Blue data (MSB)
13	B06	I	Blue data
14	B05	I	Blue data
15	B04	I	Blue data
16	B03	I	Blue data
17	B02	I	Blue data
18	B01	I	Blue data
19	B00	I	Blue data (LSB)
20	CLK	I	Clock signal User can input different polarity CLK by EDGSL setting. (Default pull low)
21	GND	I	Power Ground
22	G07	I	Green data (MSB)
23	G06	I	Green data
24	G05	I	Green data
25	G04	I	Green data
26	G03	I	Green data
27	G02	I	Green data
28	G01	I	Green data
29	G00	I	Green data (LSB)
30	R07	I	Red data (MSB)
31	R06	I	Red data
32	R05	I	Red data
33	R04	I	Red data
34	R03	I	Red data
35	R02	I	Red data

36	R01	I	Red data
37	R00	I	Red data (LSB)
38	RESETB	I	Hardware global reset. Low active (Default pull high)
39	EDGSL	I	Define input clock polarity When EDGSL=L, Latch data by rising edge of CLK (Default Pull Low) When EDGSL=H, CLK polarity is inverted, Latch data by falling edge of CLK
40	LR	I	Shift direction of Source Driver IC internal shift register is controlled by this pin as show below: LR=H SO1→ .....SO1200 (Default pull high) LR=L SO1200→ .....SO1
41	GND	I	Power Ground
42	VCOM	I	Common voltage input
43	VCOM	I	Common voltage input
44	VCOM_Cst	I	Power Ground
45	VCC	I	Digital power supply (+3.3V)
46	VCC	I	Digital power supply (+3.3V)
47	AVDD	I	Analog power supply (+12V)
48	AVDD	I	Analog power supply (+12V)
49	GM1	I	Gamma voltage level 1
50	GM2	I	Gamma voltage level 2
51	GM3	I	Gamma voltage level 3
52	GM4	I	Gamma voltage level 4
53	GM5	I	Gamma voltage level 5
54	GM6	I	Gamma voltage level 6
55	GM7	I	Gamma voltage level 7
56	GM8	I	Gamma voltage level 8
57	GM9	I	Gamma voltage level 9
58	GM10	I	Gamma voltage level 10
59	VSSA	I	Power Ground
60	GND	I	Power Ground

## 5.2 BACKLIGHT Driving Section

No	Symbol	I/O	Description
1	Hi	I	Power supply for backlight unit (High voltage)
2	GND	-	Ground for backlight unit

Note (1) User's connector Part No: Aces 87210\_02X6X

### 5.3 SCANNING DIRECTION

The following figures are seen from a front view and the arrow shows the direction of scan.

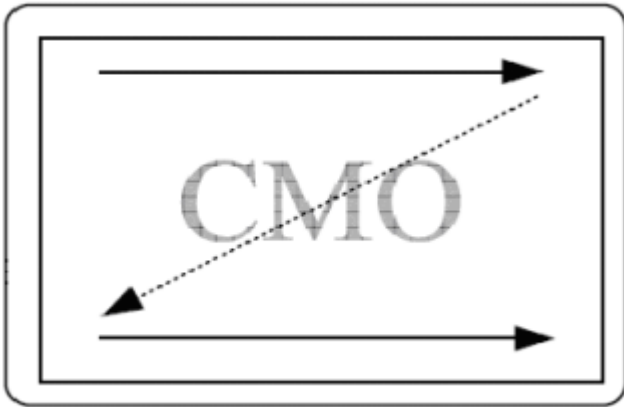


Figure1.Normal scan

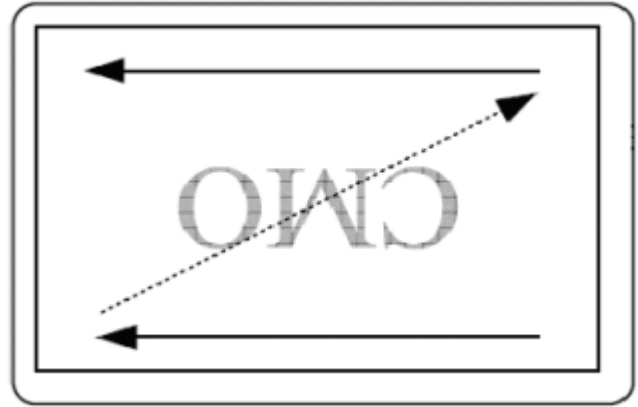


Figure 2. Reverse scan

Note : (1) Normal Scan

LR	UD	Shift
1	0	Up to down Left to right

(2) Reverse Scan

LR	UD	Shift
0	1	Down to Up Right to left

### 5.4 COLOR DATA INPUT ASSIGNMENT

The brightness of each primary color (red, green and blue) is based on the 6-bit gray scale data input for the color. The higher the binary input, the brighter the color. The table below provides the assignment of color versus data input. ( 0: Low Level Voltage, 1: High Level Voltage)

Color		Data Signal																	
		Red						Green						Blue					
		R5	R4	R3	R2	R1	R0	G5	G4	G3	G2	G1	G0	B5	B4	B3	B2	B1	B0
Basic Colors	Black	0	0	0	0	0	0	0	0	0	0	0	0	0	0	0	0	0	0
	Red	1	1	1	1	1	1	0	0	0	0	0	0	0	0	0	0	0	0
	Green	0	0	0	0	0	0	1	1	1	1	1	1	0	0	0	0	0	0
	Blue	0	0	0	0	0	0	0	0	0	0	0	0	1	1	1	1	1	1
	Cyan	0	0	0	0	0	0	1	1	1	1	1	1	1	1	1	1	1	1
	Magenta	1	1	1	1	1	1	0	0	0	0	0	0	1	1	1	1	1	1
	Yellow	1	1	1	1	1	1	1	1	1	1	1	1	0	0	0	0	0	0
	White	1	1	1	1	1	1	1	1	1	1	1	1	1	1	1	1	1	1
Gray Scale Of Red	Red(0) / Dark	0	0	0	0	0	0	0	0	0	0	0	0	0	0	0	0	0	0
	Red(1)	0	0	0	0	0	1	0	0	0	0	0	0	0	0	0	0	0	0
	Red(2)	0	0	0	0	1	0	0	0	0	0	0	0	0	0	0	0	0	0
	⋮	⋮	⋮	⋮	⋮	⋮	⋮	⋮	⋮	⋮	⋮	⋮	⋮	⋮	⋮	⋮	⋮	⋮	⋮
	⋮	⋮	⋮	⋮	⋮	⋮	⋮	⋮	⋮	⋮	⋮	⋮	⋮	⋮	⋮	⋮	⋮	⋮	⋮
	Red(61)	1	1	1	1	0	1	0	0	0	0	0	0	0	0	0	0	0	0
	Red(62)	1	1	1	1	1	0	0	0	0	0	0	0	0	0	0	0	0	0
	Red(63)	1	1	1	1	1	1	0	0	0	0	0	0	0	0	0	0	0	0
Gray Scale Of Green	Green(0) / Dark	0	0	0	0	0	0	0	0	0	0	0	0	0	0	0	0	0	0
	Green(1)	0	0	0	0	0	0	0	0	0	0	1	0	0	0	0	0	0	0
	Green(2)	0	0	0	0	0	0	0	0	0	1	0	0	0	0	0	0	0	0
	⋮	⋮	⋮	⋮	⋮	⋮	⋮	⋮	⋮	⋮	⋮	⋮	⋮	⋮	⋮	⋮	⋮	⋮	⋮
	⋮	⋮	⋮	⋮	⋮	⋮	⋮	⋮	⋮	⋮	⋮	⋮	⋮	⋮	⋮	⋮	⋮	⋮	⋮
	Green(61)	0	0	0	0	0	0	1	1	1	1	0	1	0	0	0	0	0	0
	Green(62)	0	0	0	0	0	0	1	1	1	1	1	0	0	0	0	0	0	0
	Green(63)	0	0	0	0	0	0	1	1	1	1	1	1	0	0	0	0	0	0
Gray Scale Of Blue	Blue(0) / Dark	0	0	0	0	0	0	0	0	0	0	0	0	0	0	0	0	0	0
	Blue(1)	0	0	0	0	0	0	0	0	0	0	0	0	0	0	0	0	0	1
	Blue(2)	0	0	0	0	0	0	0	0	0	0	0	0	0	0	0	0	1	0
	⋮	⋮	⋮	⋮	⋮	⋮	⋮	⋮	⋮	⋮	⋮	⋮	⋮	⋮	⋮	⋮	⋮	⋮	⋮
	⋮	⋮	⋮	⋮	⋮	⋮	⋮	⋮	⋮	⋮	⋮	⋮	⋮	⋮	⋮	⋮	⋮	⋮	⋮
	Blue(61)	0	0	0	0	0	0	0	0	0	0	0	0	1	1	1	1	0	1
	Blue(62)	0	0	0	0	0	0	0	0	0	0	0	0	1	1	1	1	1	0
	Blue(63)	0	0	0	0	0	0	0	0	0	0	0	0	1	1	1	1	1	1

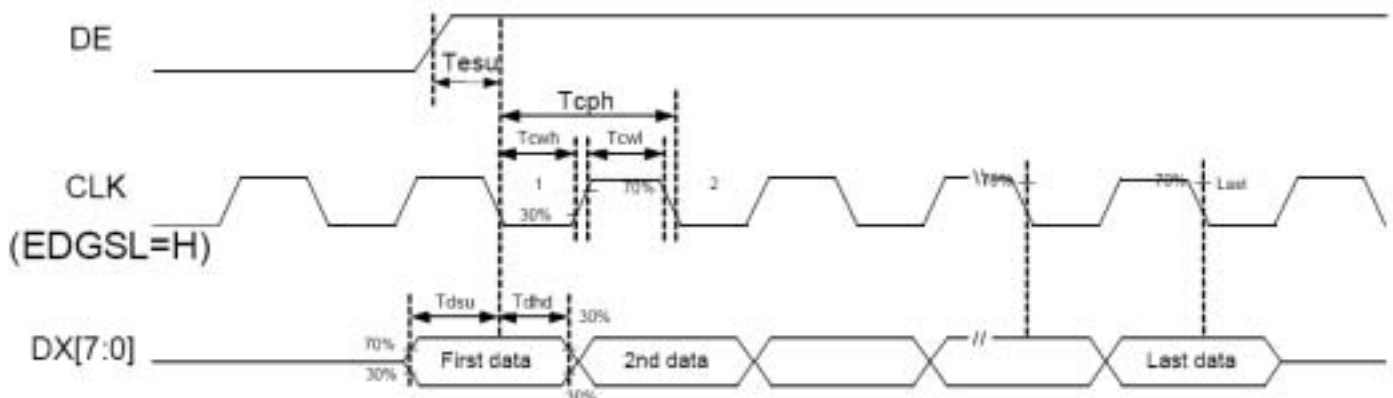
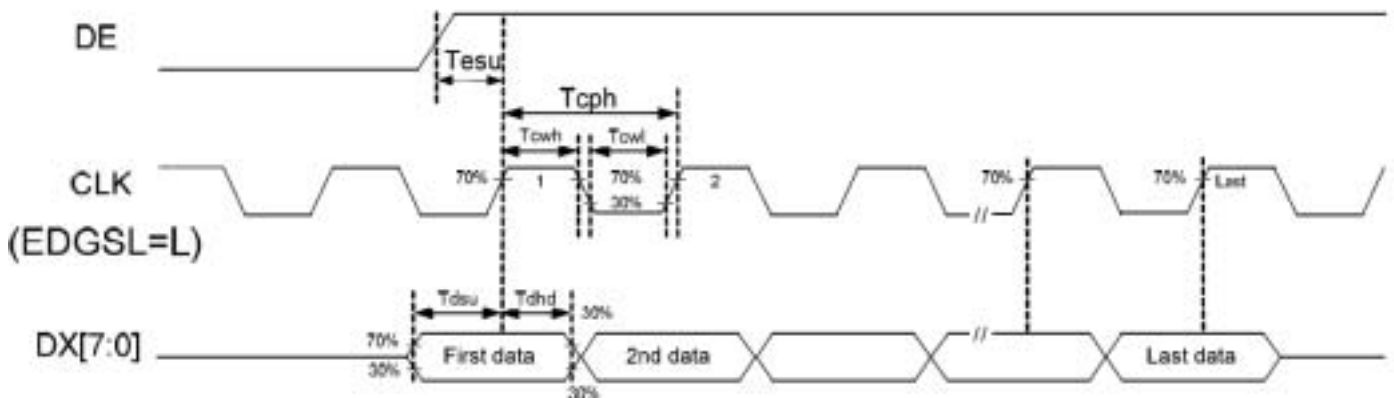
## 6. INTERFACE TIMING

### 6.1 AC ELECTRICAL CHARACTERISTICS (VCC = V, AVDD = V, AVSS = GND = 0V, Ta = 25 )

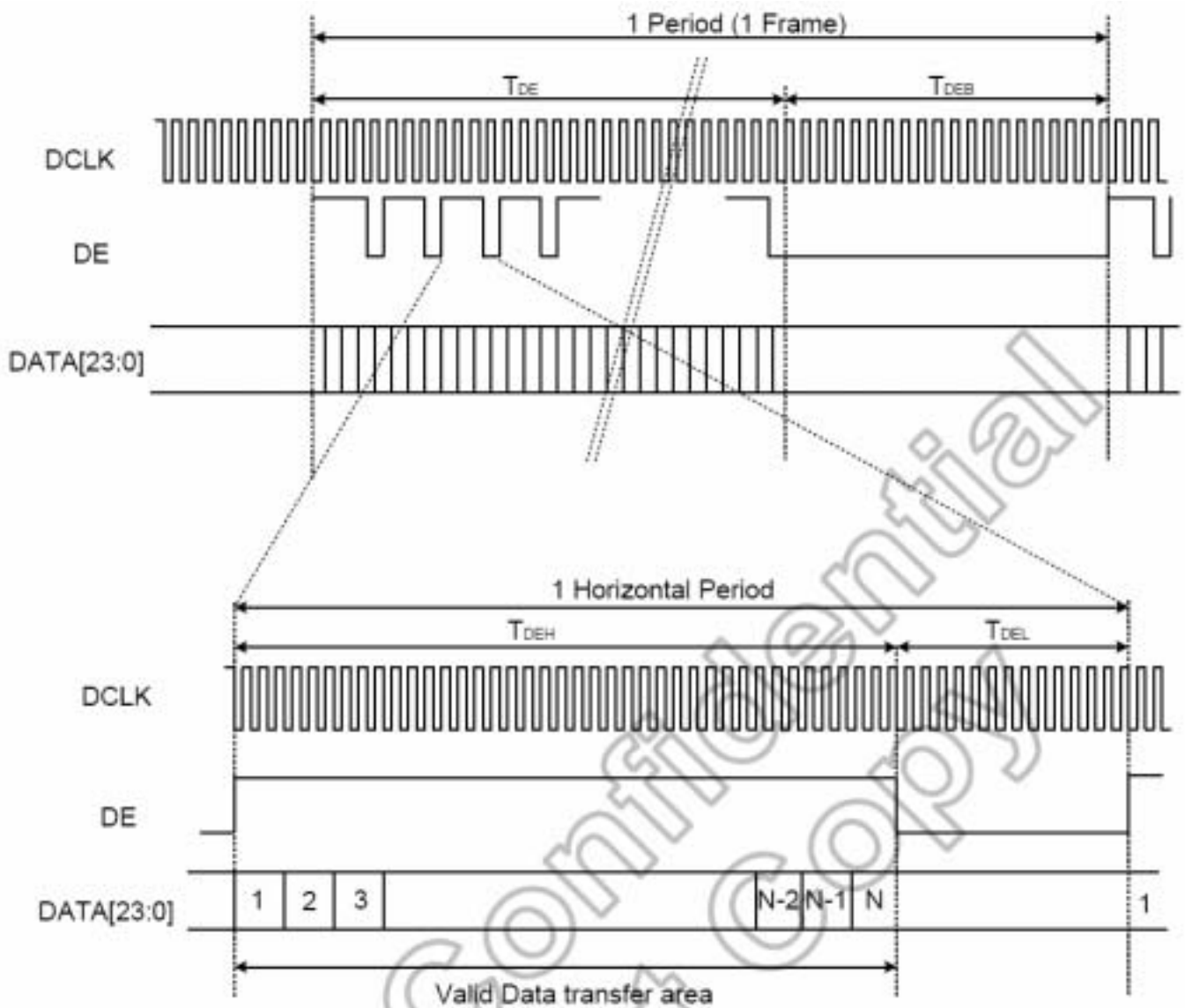
Parameter	Symbol	Value			Unit	Condition
		Min.	Typ.	Max.		
Data setup time	$T_{dsu}$	(6)			ns	
Data hold time	$T_{dhd}$	(6)			ns	
DE setup time	$T_{esu}$	(6)			ns	
CLK frequency	$F_{CPH}$		(33.26)		MHZ	
CLK period	$T_{CPH}$		(30.06)		ns	
CLK pulse duty	$T_{CWH}$	(40)	(50)	(60)	%	
DE period	$T_{DEH}+T_{DEL}$	(1000)	(1056)	(1200)	$T_{CPH}$	
DE pulse width	$T_{DEH}$	-	(800)	-	$T_{CPH}$	
DE frame blanking	$T_{DEB}$	(10)	(45)	(110)	$T_{DEH}+T_{DEL}$	
DE frame width	$T_{DE}$	-	(480)	-	$T_{DEH}+T_{DEL}$	

#### Timing Controller Timing Chart

##### ■ Clock and Data input waveform



■Data input format



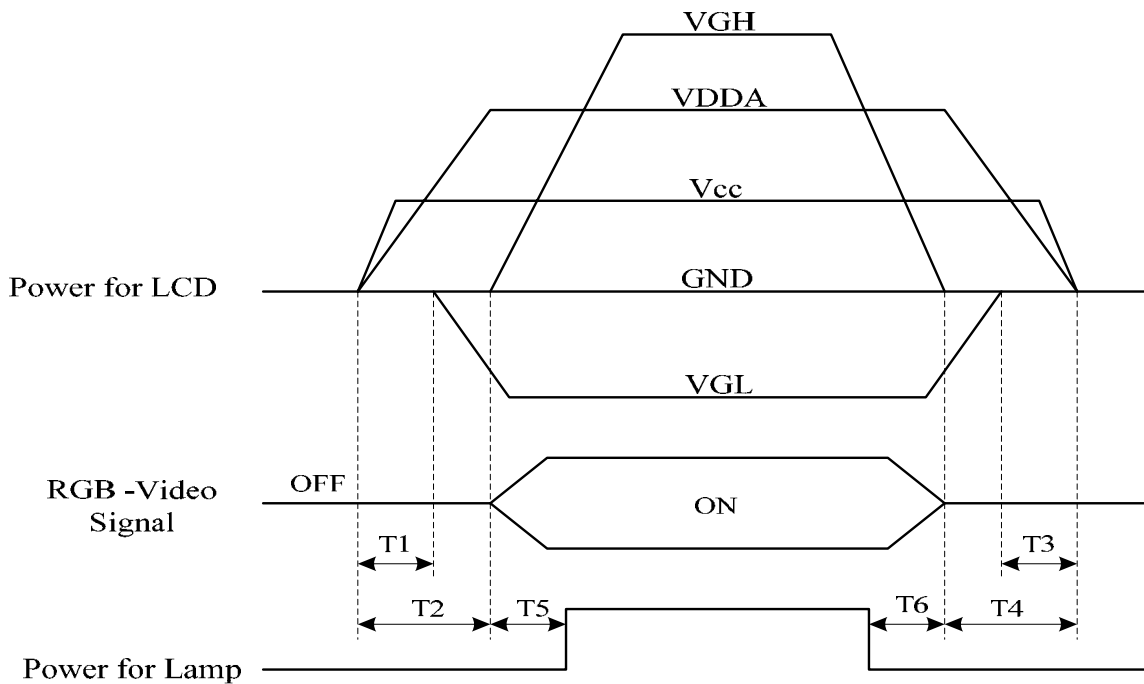


## 6.2 POWER ON/OFF SEQUENCE

To prevent the device from damage due to latch up, the power ON/OFF sequence shown below must be followed.

Power on sequence: Vcc→VGL→VGH

Power off sequence: VGH→VGL→Vcc



### Timing Specifications:

0ms  $T1 < T2$

0ms  $< T3 < T4$

0ms  $T5$

0ms  $T6$

## 7. OPTICAL CHARACTERISTICS

### 7.1 TEST CONDITIONS

Item	Symbol	Value	Unit
Ambient Temperature	Ta	25±2	°C
Ambient Humidity	Ha	50±10	%RH
Supply Voltage	V <sub>CC</sub>	3.3	V
Input Signal	According to typical value in "3. ELECTRICAL CHARACTERISTICS"		
Current	I <sub>f</sub>	20	mA

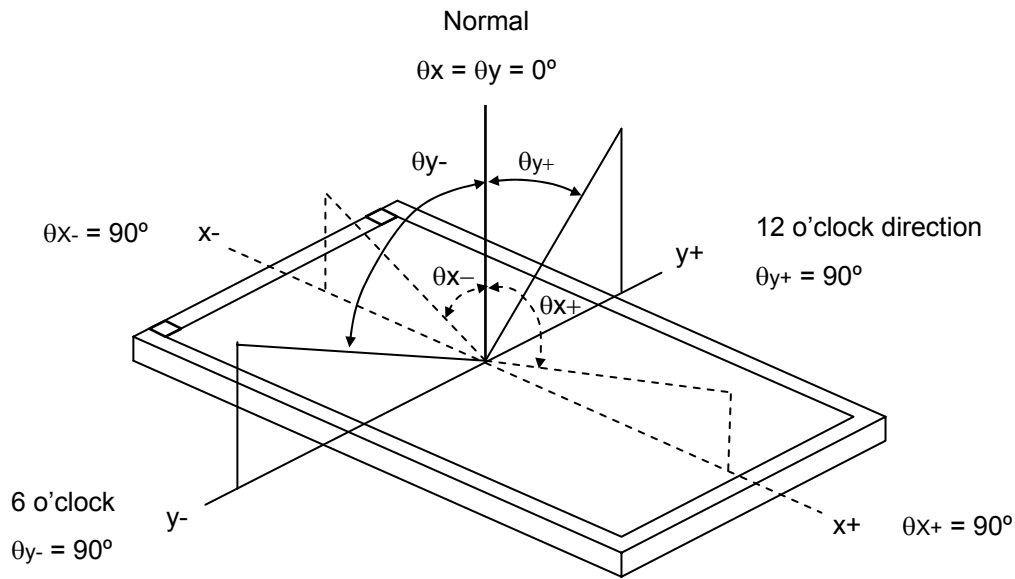
Note (1) I<sub>f</sub> means the forward current of each channel

### 7.2 OPTICAL SPECIFICATIONS

The relative measurement methods of optical characteristics are shown in 7.2. The following items should be measured under the test conditions described in 7.1 and stable environment shown in Note (6).

Item	Symbol	Condition	Min.	Typ.	Max.	Unit	Note
Color Chromaticity	Red	$\theta_x=0^\circ, \theta_y=0^\circ$ Viewing Normal Angle	Typ - 0.03	TBD	Typ + 0.03		(1), (6)
				TBD			
	Green			TBD			
				TBD			
	Blue			TBD			
				TBD			
	White			(0.313)			
				(0.329)			
Center Luminance of White	L <sub>C</sub>		(600)		cd/m <sup>2</sup>	(4), (6)	
Contrast Ratio	CR		(600)		-	(2), (6)	
Response Time	T <sub>R</sub>		(5)	(10)	Ms	(3)	
	T <sub>F</sub>		(11)	(16)	Ms		
White Variation	δW		(1.25)	(1.4)	-	(5), (6)	
Viewing Angle	Horizontal	CR 10	(60)	(70)		Deg.	(1), (6)
			(60)	(70)			
	Vertical		(50)	(60)			
			(50)	(60)			

Note (1) Definition of Viewing Angle ( $\theta_x, \theta_y$ ):



Note (2) Definition of Contrast Ratio (CR):

The contrast ratio can be calculated by the following expression.

$$\text{Contrast Ratio (CR)} = L_{63} / L_0$$

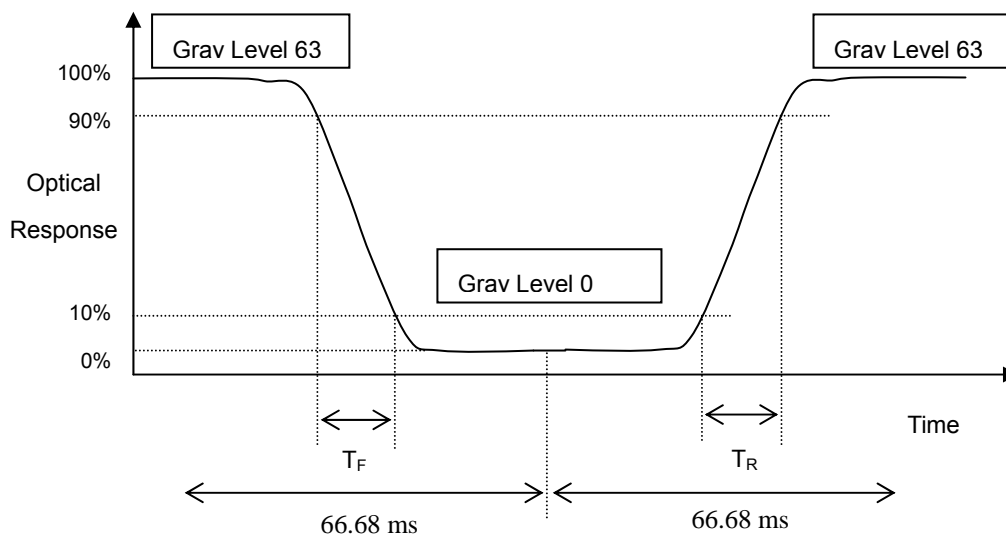
L63: Luminance of gray level 63

L 0: Luminance of gray level 0

$$\text{CR} = \text{CR} (5)$$

CR (X) is corresponding to the Contrast Ratio of the point X at Figure in Note (5).

Note (3) Definition of Response Time ( $T_R, T_F$ ) and measurement method:



Note (4) Definition of Luminance of White ( $L_C$ ):

Measure the luminance of gray level 63 at center point

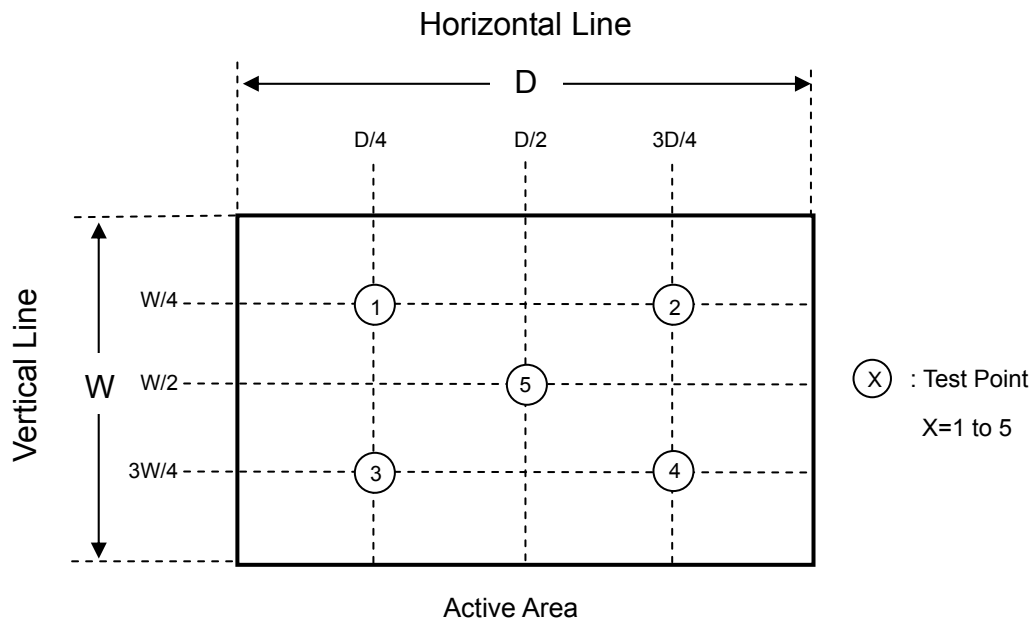
$$L_C = L(5)$$

$L(x)$  is corresponding to the luminance of the point X at Figure in Note (5).

Note (5) Definition of White Variation ( $\delta W$ ):

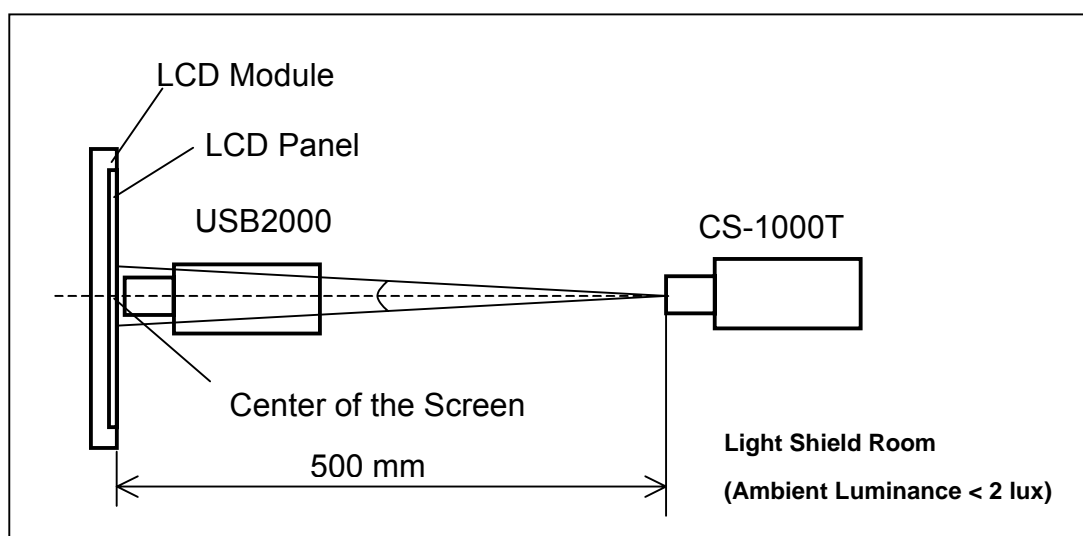
Measure the luminance of gray level 63 at 5 points

$$\delta W = \text{Maximum} [L(1), L(2), L(3), L(4), L(5)] / \text{Minimum} [L(1), L(2), L(3), L(4), L(5)]$$



Note (6) Measurement Setup:

The LCD module should be stabilized at given temperature for 20 minutes to avoid abrupt temperature change during measuring. In order to stabilize the luminance, the measurement should be executed after lighting Backlight for 20 minutes in a windless room.



8. PACKAGING

TBD

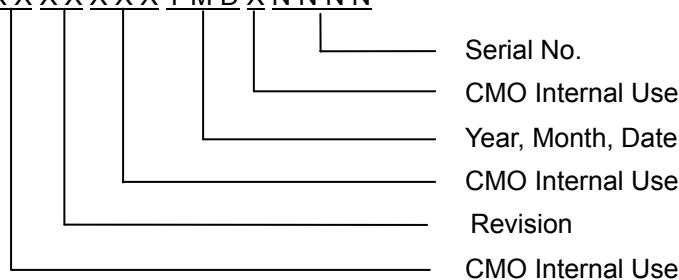
9. DEFINITION OF LABELS

9.1 CMO MODULE LABEL

The barcode nameplate is pasted on each module as illustration, and its definitions are as following explanation.



- (a) Model Name: G080Y3 - T01
- (b) Revision: Rev. XX, for example: A1, ..., C1, C2 ...etc.
- (c) Serial ID: XXXXXXXXYMDLNNNN



Serial ID includes the information as below:

- (a) Manufactured Date: Year: 1~9, for 2001~2009  
 Month: 1~9, A~C, for Jan. ~ Dec.  
 Day: 1~9, A~Y, for 1<sup>st</sup> to 31<sup>st</sup>, exclude I , O and U
- (b) Revision Code: cover all the change  
 Serial No.: Manufacturing sequence of product

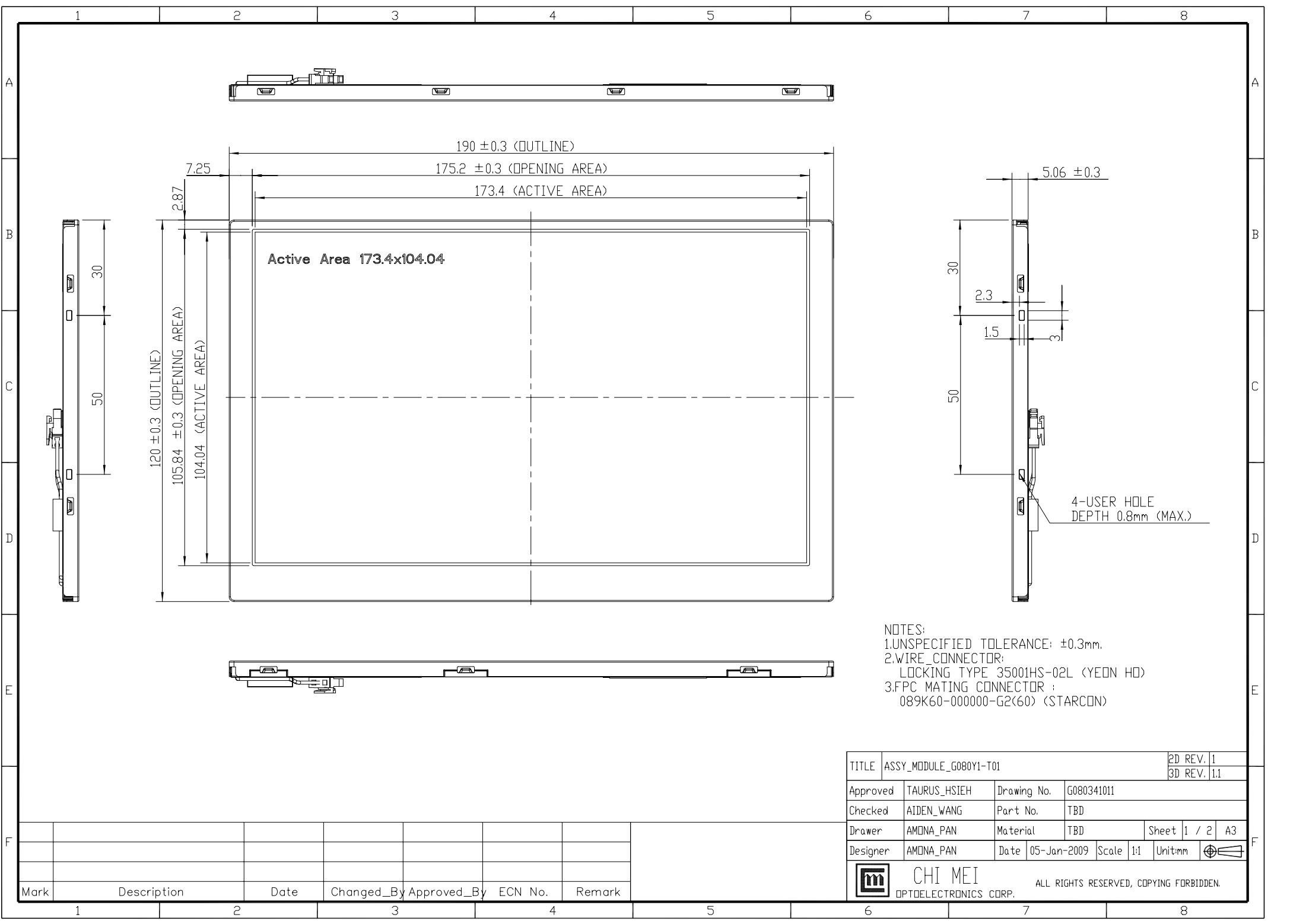
## 10. PRECAUTIONS

### 10.1 ASSEMBLY AND HANDLING PRECAUTIONS


- (1) Do not apply rough force such as bending or twisting to the module during assembly.
- (2) To assemble or install module into user's system can be only in clean working areas. The dust and oil may cause electrical short or worsen the polarizer.
- (3) It's not permitted to have pressure or impulse on the module because the LCD panel and Backlight will be damaged.
- (4) Always follow the correct power sequence when LCD module is connecting and operating. This can prevent damage to the CMOS LSI chips during latch-up.
- (5) Do not pull the I/F connector in or out while the module is operating.
- (6) Do not disassemble the module.
- (7) Use a soft dry cloth without chemicals for cleaning, because the surface of polarizer is very soft and easily scratched.
- (8) It is dangerous that moisture come into or contacted the LCD module, because moisture may damage LCD module when it is operating.
- (9) High temperature or humidity may reduce the performance of module. Please store LCD module within the specified storage conditions.
- (10) When ambient temperature is lower than 10°C may reduce the display quality. For example, the response time will become slowly, and the starting voltage of CCFL will be higher than room temperature.
- (11) Do not keep same pattern in a long period of time. It may cause image sticking on LCD

### 10.2 SAFETY PRECAUTIONS

- (1) Do not disassemble the module or insert anything into the Backlight unit to prevent electrical shock.
- (2) If the liquid crystal material leaks from the panel, it should be kept away from the eyes or mouth. In case of contact with hands, skin or clothes, it has to be washed away thoroughly with soap.
- (3) After the module's end of life, it is not harmful in case of normal operation and storage.

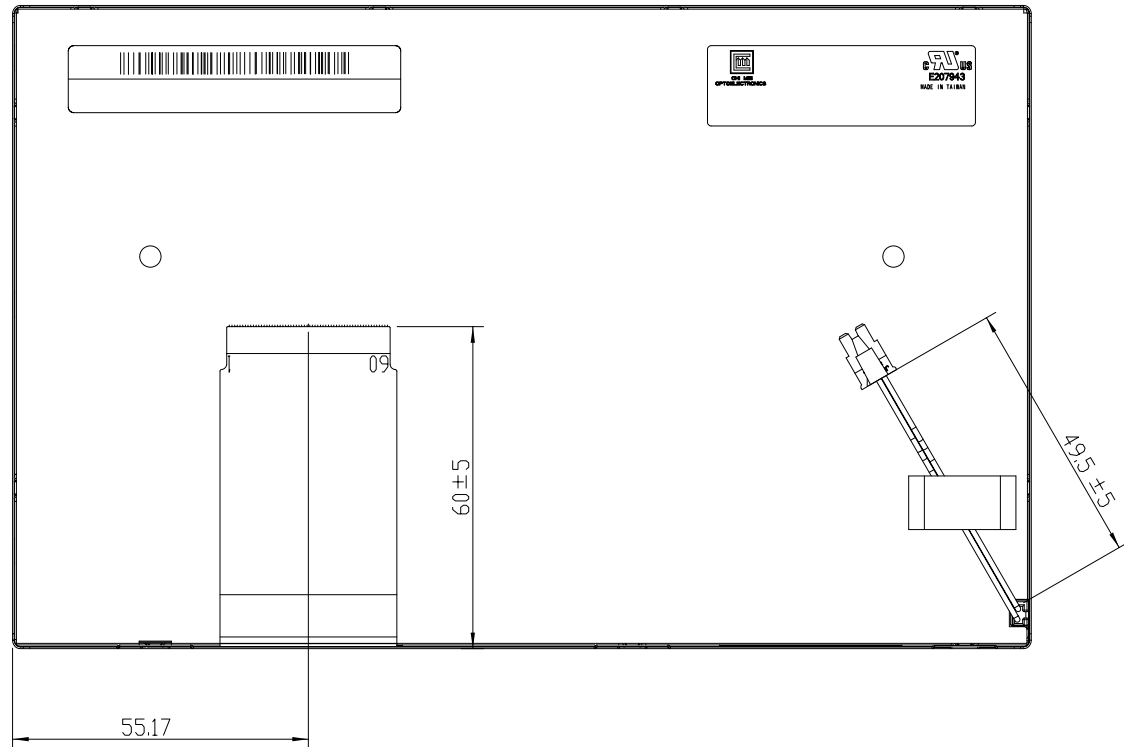


NOTES:  
 1.UNSPECIFIED TOLERANCE: ±0.3mm.  
 2.WIRE\_CONNECTOR:  
 LOCKING TYPE 35001HS-02L (YEON HD)  
 3.FPC MATING CONNECTOR ;  
 089K60-000000-G2(60) (STARCON)

TITLE	ASSY_MODULE_G080Y1-T01			2D REV.	1
				3D REV.	1.1
Approved	TAURUS_HSIEH	Drawing No.	G080341011		
Checked	AIDEN_WANG	Part No.	TBD		
Drawer	AMONA_PAN	Material	TBD	Sheet	1 / 2 A3
Designer	AMONA_PAN	Date	05-Jan-2009	Scale	1:1 Unit:mm
 CHI MEI OPTOELECTRONICS CDRP.		ALL RIGHTS RESERVED, COPYING FORBIDDEN.			

Mark	Description	Date	Changed_By	Approved_By	ECN No.	Remark
1						
2						
3						
4						
5						

NOTES:  
 1.UNSPECIFIED TOLERANCE: ±0.3mm.  
 2.WIRE\_CONNECTOR:  
 LOCKING TYPE 35001HS-02L (YEON HD)  
 3.FPC MATING CONNECTOR :  
 089K60-000000-G2(60) (STARCON)



TITLE	ASSY_MODULE_G080Y1-T01			2D REV.	1
				3D REV.	1.1
Approved	TAURUS_HSIEH	Drawing No.	G080341011		
Checked	AIDEN_WANG	Part No.	TBD		
Drawer	AMONA_PAN	Material	TBD	Sheet	2 / 2 A3
Designer	AMONA_PAN	Date	05-Jan-2009	Scale	1:1 Unit:mm

 **CHI MEI**  
 OPTOELECTRONICS CORP. ALL RIGHTS RESERVED, COPYING FORBIDDEN.

Mark	Description	Date	Changed_By	Approved_By	ECN No.	Remark
1						
2						
3						
4						
5						
6						
7						
8						