

Provisional Data

Anode Shorted Gate Turn-Off Thyristor Types G1000QC250

Absolute Maximum Ratings

	VOLTAGE RATINGS	MAXIMUM LIMITS	UNITS
V_{DRM}	Repetitive peak off-state voltage, (note 1)	2500	V
V_{RSM}	Non-repetitive peak off-state voltage, (note 1)	2500	V
$V_{DC-link}$	Maximum continuous DC-link voltage	2800	V
V_{RRM}	Repetitive peak reverse voltage	18	V
V_{RSM}	Non-repetitive peak reverse voltage	18	V

	RATINGS	MAXIMUM LIMITS	UNITS
I_{TGQ}	Peak turn-off current, (note 2)	1000	A
L_s	Snubber loop inductance, $I_{TM}=I_{TGQ}$, (note 2)	300	nH
$I_{T(AV)M}$	Mean on-state current, $T_{sink}=55^{\circ}C$ (note 3)	615	A
$I_{T(RMS)}$	Nominal RMS on-state current, $25^{\circ}C$ (note 3)	1220	A
I_{TSM}	Peak non-repetitive surge current $t_p=10ms$, (Note 4)	8	kA
I_{TSM2}	Peak non-repetitive surge current $t_p=2ms$, (Note 4)	14	kA
I^2t	I^2t capacity for fusing $t_p=10ms$	320×10^3	A^2s
di/dt_{cr}	Critical rate of rise of on-state current, (note 5)	300	$A/\mu s$
P_{FGM}	Peak forward gate power	185	W
P_{RGM}	Peak reverse gate power	7	kW
I_{FGM}	Peak forward gate current	100	A
V_{RGM}	Peak reverse gate voltage (note 6).	18	V
t_{off}	Minimum permissible off-time (note 2)	80	μs
t_{on}	Minimum permissible on-time	20	μs
$T_{j op}$	Operating temperature range	-40 to +125	$^{\circ}C$
T_{stg}	Storage temperature range	-40 to +125	$^{\circ}C$

Notes:-

- 1) $V_{GK}=-2Volts$.
- 2) $T_j=125^{\circ}C$, $V_D=1250V$, $V_{DM} \leq 2500V$ $di_{GQ}/dt=30A/\mu s$, $I_{TGQ}=1000A$ and $C_S=1\mu F$.
- 3) Double-side-cooled, single phase; 50Hz, 180° half-sinewave.
- 4) $T_{j(terminal)}=125^{\circ}C$, single phase, 180° sinewave, re-applied voltage $V_D=V_R \leq 10V$.
- 5) For $di/dt > 300A/\mu s$ please consult the factory.
- 6) May exceed this value during turn-off avalanche period.

Characteristics

	Parameter	MIN	TYP	MAX	TEST CONDITIONS (note 1)	UNITS
V_{TM}	Maximum peak on-state voltage	-	2.1	2.5	$I_G=2A, I_T=1000A$	V
I_L	Latching current	-	10	-	$T_j=25^\circ C$	A
I_H	Holding current.	-	10	-	$T_j=25^\circ C$	A
dv/dt_{cr}	Critical rate of rise of off-state voltage	1000	-	-	$V_D=1250V, V_{GR}=-2V$	V/ μs
I_{DRM}	Peak off state current	-	-	30	Rated $V_{DRM}, V_{GR}=-2V$	mA
I_{RRM}	Peak reverse current	-	-	20	$V_{RR}=16V$	mA
I_{GKM}	Peak negative gate leakage current	-	-	20	$V_{GR}=-16V$	mA
V_{GT}	Gate trigger voltage	-	1.0	-	$T_j=-40^\circ C$	V
		-	0.8	-	$T_j=25^\circ C, V_D=25V, R_L=25m\Omega$	V
		-	0.6	-	$T_j=125^\circ C$	V
I_{GT}	Gate trigger current	-	1.6	3.5	$T_j=-40^\circ C$	A
		-	0.7	1.5	$T_j=25^\circ C, V_D=25V, R_L=25m\Omega$	A
		-	0.2	0.4	$T_j=125^\circ C$	A
t_d	Delay time	-	0.8	-	$V_D=1250V, I_{TQ}=1000A, di_T/dt=300A/\mu s, I_{GM}=30A, di_G/dt=30A/\mu s, C_S=1\mu F, R_S=5\Omega$	μs
t_{gt}	Turn-on time	-	2.8	4		μs
E_{on}	Turn-on Energy	-	-	1		J
t_f	Fall time	-	1.2	-	$V_D=1250V, I_{TQ}=1000A, di_{GQ}/dt=30A/\mu s, V_{GR}=-16V, C_S=1\mu F$	μs
t_s	Storage time	-	-	13		μs
t_{gq}	Turn-off time	-	-	15		μs
I_{GQ}	Peak turn-off gate current	-	300	-		A
Q_{GQ}	Turn-off gate charge	-	2	-		mC
t_{tail}	Tail time	-	15	-		μs
E_{off}	Turn-off energy	-	-	2.2		J
R_{thJK}	Thermal resistance junction to sink	-	-	0.038		Double side cooled
		-	-	0.061	Cathode side cooled	K/W
		-	-	0.101	Anode side cooled	K/W
F	Mounting force	13	-	17	(see note 2)	kN
W_t	Weight	-	325	-		g

Notes:-

- 1) Unless otherwise indicated $T_j=125^\circ C$.
- 2) For other clamping forces, consult factory.

Curves

Figure 1 - On-state characteristics of Limit device

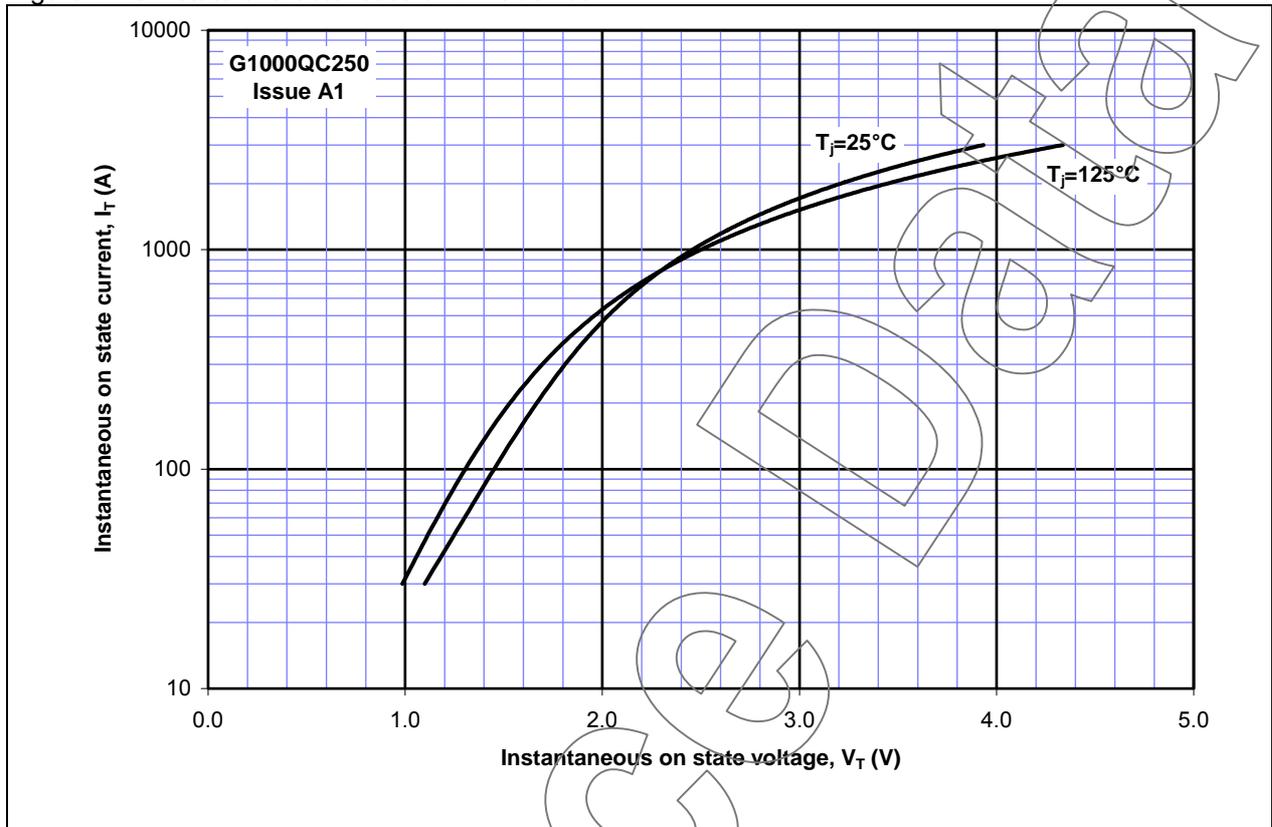
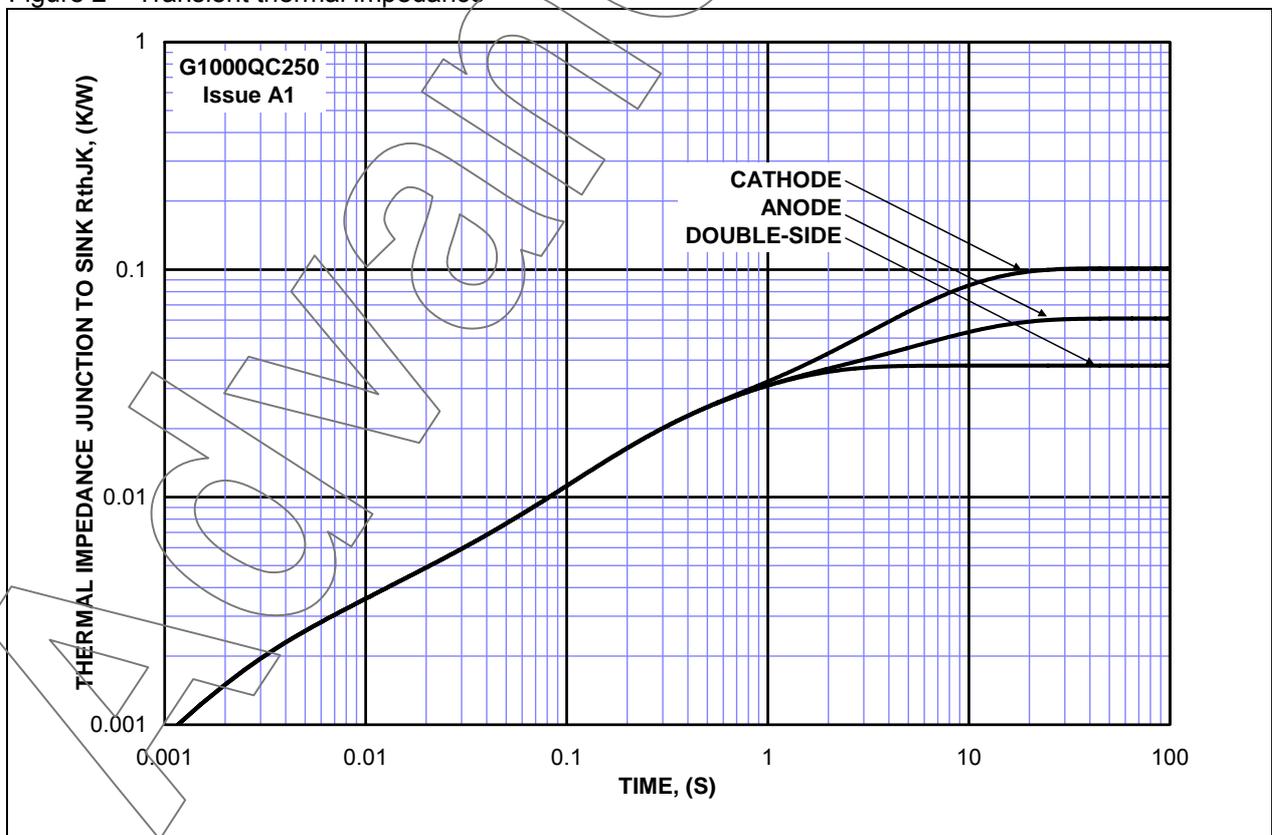
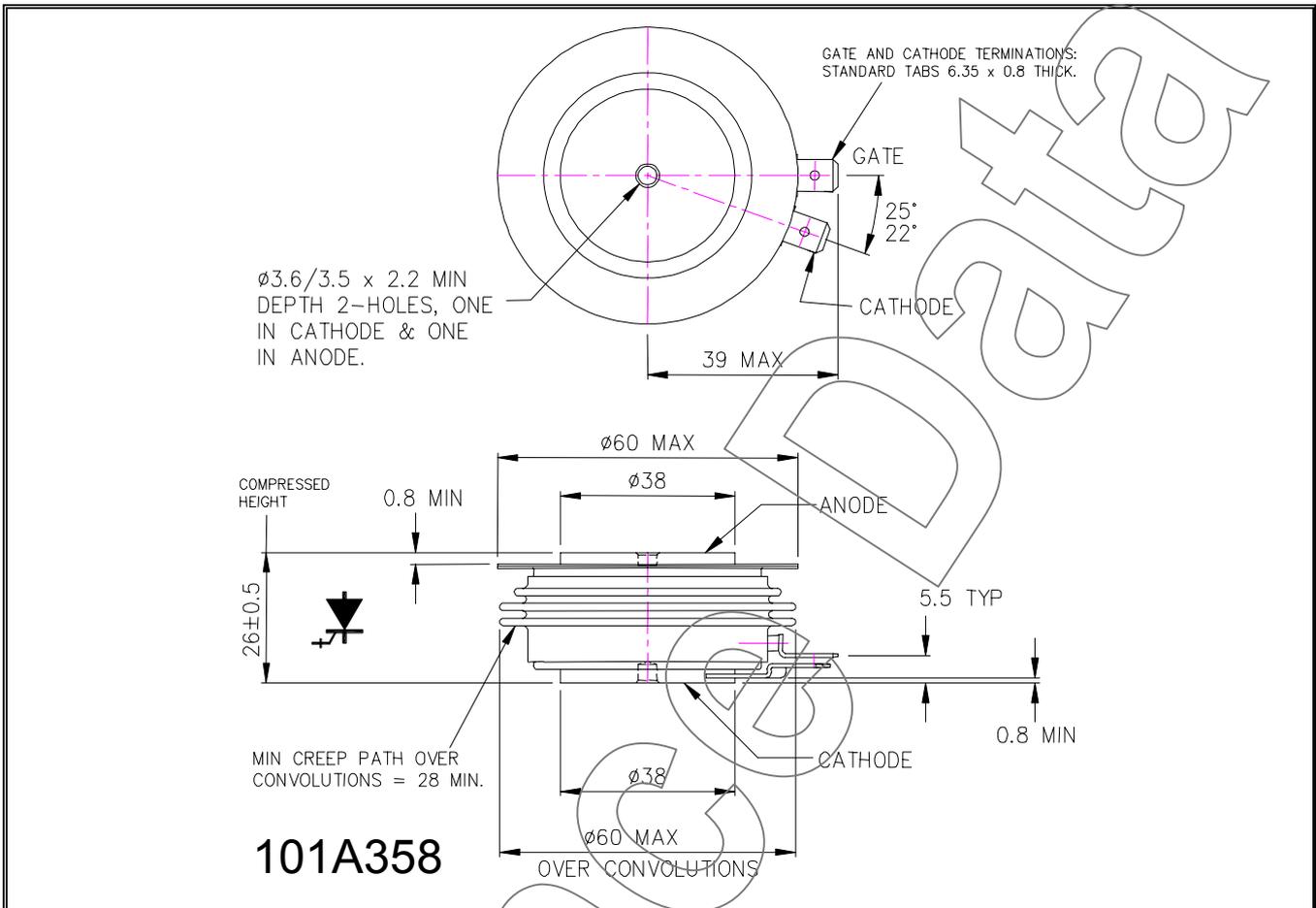


Figure 2 – Transient thermal impedance



Outline Drawing & Ordering Information



101A358

ORDERING INFORMATION

(Please quote 10 digit code as below)

G1000 Fixed Type Code	QC Fixed Outline Code	25 Fixed Voltage Code $V_{DRM}/100$ 25	0 Fixed Code
---------------------------------	---------------------------------	--	------------------------

Typical order code: G1000QC250 – 2500V V_{DRM} 26mm clamp height capsule.

IXYS Semiconductor GmbH
Edisonstraße 15
D-68623 Lampertheim
Tel: +49 6206 503-0
Fax: +49 6206 503-627
E-mail: marcom@ixys.de

WESTCODE

An IXYS Company

www.westcode.com

www.ixys.net

Westcode Semiconductors Ltd
Langley Park Way, Langley Park,
Chippenham, Wiltshire, SN15 1GE.
Tel: +44 (0)1249 444524
Fax: +44 (0)1249 659448
E-mail: WSL.sales@westcode.com

IXYS Corporation
1590 Buckeye Drive
Milpitas CA 95035-7418
Tel: +1 (408) 457 9000
Fax: +1 (408) 496 0670
E-mail: sales@ixys.net

IXYS Long Beach
IXYS Long Beach, Inc
2500 Mira Mar Ave, Long Beach
CA 90815
Tel: +1 (562) 296 6584
Fax: +1 (562) 296 6585
E-mail: service@ixyslongbeach.com

The information contained herein is confidential and is protected by Copyright. The information may not be used or disclosed except with the written permission of and in the manner permitted by the proprietors Westcode Semiconductors Ltd.

© Westcode Semiconductors Ltd.

In the interest of product improvement, Westcode reserves the right to change specifications at any time without prior notice.

Devices with a suffix code (2-letter, 3-letter or letter/digit/letter combination) added to their generic code are not necessarily subject to the conditions and limits contained in this report.