



Product Specification

G173HE02 V0

AU OPTRONICS CORPORATION

() Preliminary Specification
(V) Final Specification

Module	17.3" FHD Color TFT-LCD
Model Name	G173HE02 V0

Customer	Date
_____	_____
Approved by	
_____	_____
Note: This Specification is subject to change without notice.	

Checked & Approved by	Date
<u>Vito Huang</u>	<u>2011/5/30</u>
Prepared by	
<u>Vivian Huang</u>	<u>2011/5/30</u>
Audio Video Business Group / AU Optronics corporation	

Contents

1. Handling Precautions	4
2. General Description	5
2.1 Display Characteristics	5
3. Functional Block Diagram.....	10
4. Absolute Maximum Ratings.....	11
4.1 Absolute Ratings of TFT LCD Module	11
4.2 Absolute Ratings of Environment	11
5. Electrical characteristics	12
5.1 TFT LCD Module	12
5.2 Backlight Unit	14
6. Signal Characteristic	15
6.1 Pixel Format Image	15
6.2 The Input Data Format	16
6.4 Interface Timing	19
6.5 Power ON/OFF Sequence	20
7. Connector & Pin Assignment	21
7.1 TFT LCD Module	21
7.2 Backlight Unit	22
8. Reliability Test.....	23
9. Shipping Label.....	24
10. Packing Form.....	25
10.1 Packaging material	25
10.2 External packaging material required	25
10.3 Palletizing sequence	26
10.4 Packing instruction	27
11. Outline Drawing.....	28

AUO Confidential For DATAMODUL Internal Use Only 120717/20



Record of Revision

Version & Date	Page	Old Description	New Description
0.0 2011/1/20	All	First Edition for Customer	
0.1 2011/1/31	12	IDD unit: A	IDD unit: mA
	14	VCC Max: 12.6V	VCC Max: 13.4V
	14	Operation Life	LED life time
1.0 2011/5/30	5	White Luminance(cd/m ²): 500(Typ.)	White Luminance(cd/m ²): 400(Typ.)
	5	Optical Response Time(ms): 8(Typ.)	Optical Response Time(ms): 40(Typ.)
	5	Power Consumption(Watt): TBD(Typ.)	Power Consumption(Watt): 17(Typ.)
	5	Weight(g): TBD(Typ.)	Weight(g): 1080(Typ.)
	6		Update Viewing Angle
	6		Update Optical Response Time
	6		Update Color / Chromaticity Coordinates
	6		Update White Luminance
	12	IDD (mA): 350(Typ), 600(Max)	IDD (mA): 1200(Typ), 1400(Max)
	12	PDD (Watt): TBD(Typ), 2(Max)	PDD (Watt): 5(Typ), 6(Max)
	12		Update the diagram of Vin rising time
	14	P _{VCC} (Watt): 11.88(Typ), 13.39(Max)	P _{VCC} (Watt): 12(Typ), 15(Max)
	14		Update LED Forward Voltage
	14		Update Note6 description
	25		Update Shipping Label
	25		Update Packing Form
	28		Update Outline Drawing

1. Handling Precautions

- 1) Since front polarizer is easily damaged, please be cautious and not to scratch it.
- 2) Be sure to turn off power supply when inserting or disconnecting from input connector.
- 3) Wipe off water drop immediately. Long contact with water may cause discoloration or spots.
- 4) When the panel surface is soiled, wipe it with absorbent cotton or soft cloth.
- 5) Since the panel is made of glass, it may be broken or cracked if dropped or bumped on hard surface.
- 6) To avoid ESD (Electro Static Discharge) damage, be sure to ground yourself before handling TFT-LCD Module.
- 7) Do not open nor modify the module assembly.
- 8) Do not press the reflector sheet at the back of the module to any direction.
- 9) In case if a module has to be put back into the packing container slot after it was taken out from the container, do not press the center of the LED light bar edge. Instead, press at the far ends of the LED light bar edge softly. Otherwise the TFT Module may be damaged.
- 10) At the insertion or removal of the Signal Interface Connector, be sure not to rotate nor tilt the Interface Connector of the TFT Module.
- 11) TFT-LCD Module is not allowed to be twisted & bent even force is added on module in a very short time. Please design your display product well to avoid external force applying to module by end-user directly.
- 12) Small amount of materials without flammability grade are used in the TFT-LCD module. The TFT-LCD module should be supplied by power complied with requirements of Limited Power Source (IEC60950 or UL1950), or be applied exemption.
- 13) Severe temperature condition may result in different luminance, response time and lamp ignition voltage.
- 14) Continuous operating TFT-LCD display under low temperature environment may accelerate lamp exhaustion and reduce luminance dramatically.
- 15) The data on this specification sheet is applicable when LCD module is placed in landscape position.
- 16) Continuous displaying fixed pattern may induce image sticking. It's recommended to use screen saver or shuffle content periodically if fixed pattern is displayed on the screen.

2. General Description

G173HE02 V0 is a Color Active Matrix Liquid Crystal Display composed of a TFT-LCD panel, a LED driver circuit, and a LED backlight system. The screen format is intended to support the FHD (1920(H) x 1080(V)) screen and 16.7M colors (RGB 6-bits + HiFRC data). All input signals are LVDS interface compatible. Inverter card of backlight is not included.

2.1 Display Characteristics

The following items are characteristics summary on the table under 25 °C condition:

Items	Unit	Specifications
Screen Diagonal	[mm]	17.3W (17.25)
Active Area	[mm]	381.888 (H) x 214.812 (V)
Pixels H x V		1920(x3) x 1080
Pixel Pitch	[mm]	0.1989 (per one triad) x 0.1989
Pixel Arrangement		R.G.B. Vertical Stripe
Display Mode		Normally White
White Luminance	[cd/m ²]	400 (Typ.)
Contrast Ratio		600 : 1 (Typ)
Optical ResponseTime	[msec]	40 (Typ, on/off)
Nominal Input Voltage VDD	[Volt]	3.3 V
Power Consumption	[Watt]	17 (Typ)
Weight	[Grams]	1080 (Typ)
Physical Size (H x V x D)	[mm]	403 (H) x 240 (V) x 12.5 (D) (Typ)
Electrical Interface		Dual channel LVDS
Surface Treatment		Hard-coating (3H), Glare treatment
Support Color		16.7M colors (RGB 6-bit data + HiFRC data)
Temperature Range (Ta)		
Operating	[°C]	0 to +70
Storage (Non-Operating)	[°C]	-20 to +70
RoHS Compliance		RoHS Compliance

2.2 Optical Characteristics

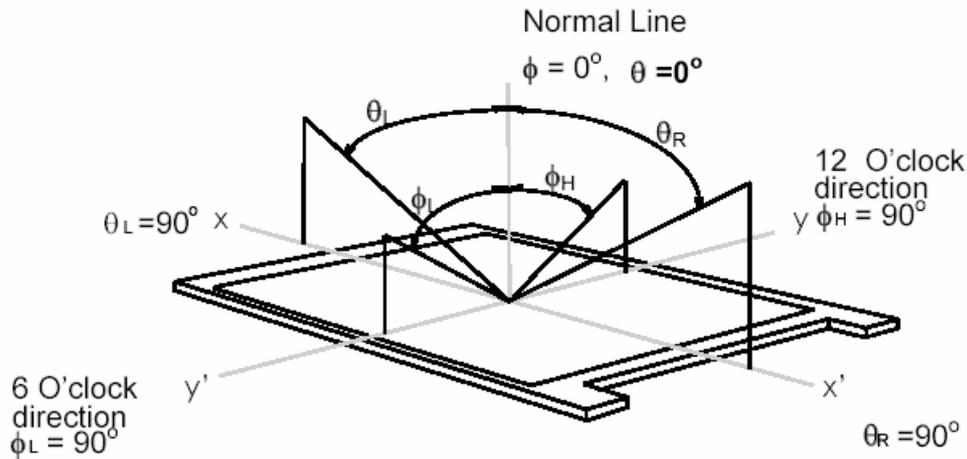
The optical characteristics are measured under stable conditions at 25°C (Room Temperature):

Item	Unit	Conditions	Min.	Typ.	Max.	Note
Viewing Angle	[degree]	Horizontal (Right) CR = 10 (Left)	70 70	80 80	-	1
		Vertical (Up) CR = 10 (Down)	60 70	70 80	-	
Luminance Uniformity	[%]	13 Points	75	80	-	2, 3
Optical Response Time	[msec]	Rising	-	37	50	4, 5
		Falling	-	3	10	
		Rising + Falling	-	40	60	
Color / Chromaticity Coordinates (CIE 1931)		Red x	0.590	0.640	0.690	4
		Red y	0.296	0.346	0.396	
		Green x	0.264	0.314	0.364	
		Green y	0.574	0.624	0.674	
		Blue x	0.100	0.150	0.200	
		Blue y	0.004	0.054	0.104	
		White x	0.255	0.305	0.355	
White y	0.268	0.318	0.368			
White Luminance (At LED=100mA)	[cd/m ²]		320	400	-	4
Contrast Ratio			500	600	-	4
NTSC	%			72		

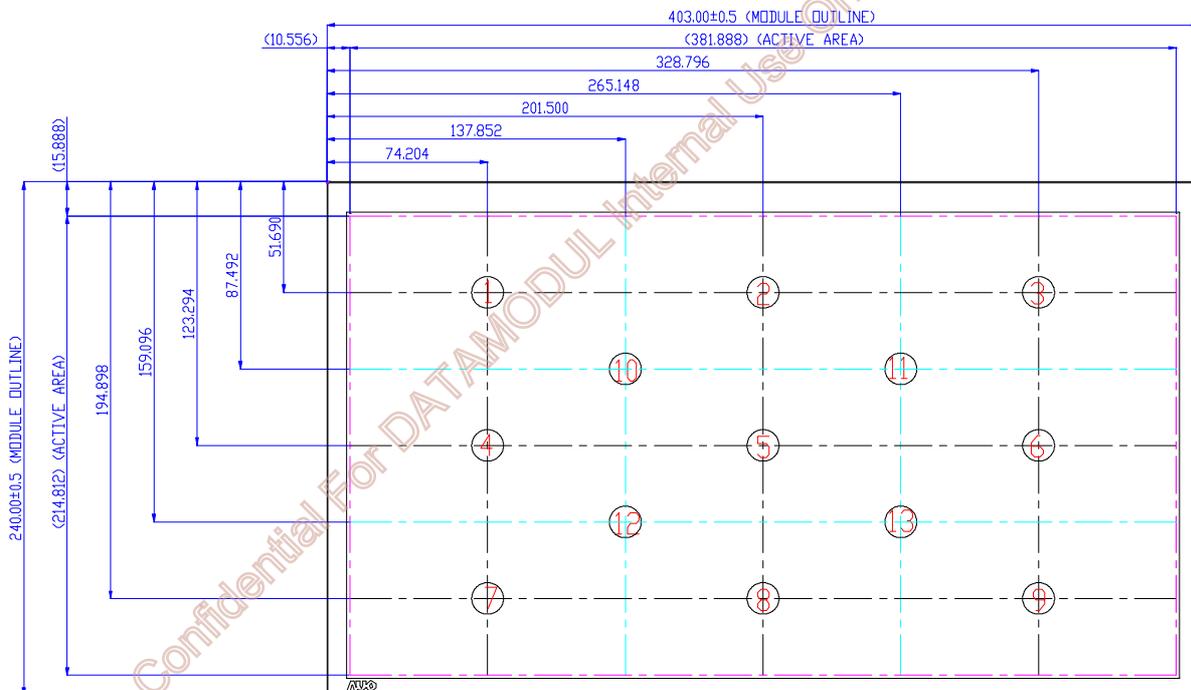
Optical Equipment: BM-5A, BM-7, PR880, or equivalent

Note 1: Definition of viewing angle

Viewing angle is the measurement of contrast ratio ≥ 10 , or ≥ 5 , at the screen center, over a 180° horizontal and 180° vertical range (off-normal viewing angles). The 180° viewing angle range is broken down as follows; 90° (θ) horizontal left and right and 90° (Φ) vertical, high (up) and low (down). The measurement direction is typically perpendicular to the display surface with the screen rotated about its center to develop the desired measurement viewing angle.



Note 2: 13 points position

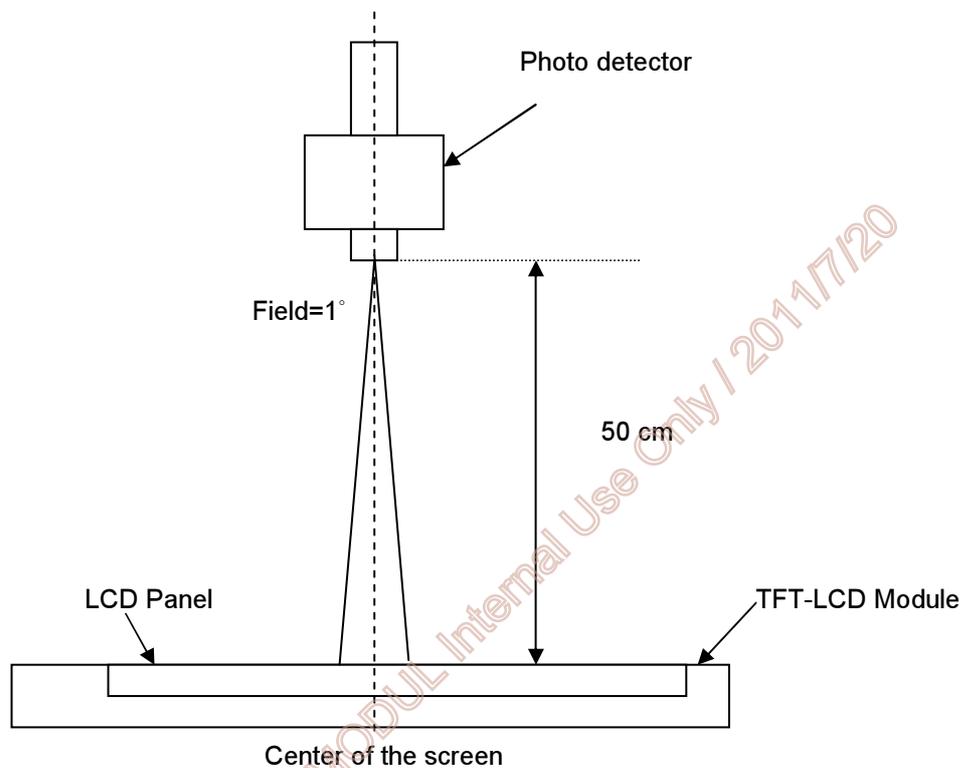


Note 3:

$$\delta_{w13} = \frac{\text{Minimum Luminance of 13 points}}{\text{Maximum Luminance of 13 points}}$$

Note 4: Measurement method

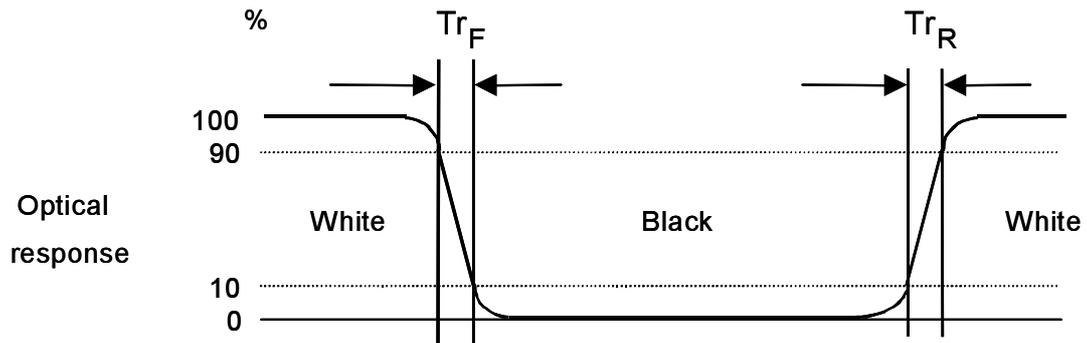
The LCD module should be stabilized at given temperature for 30 minutes to avoid abrupt temperature change during measuring. In order to stabilize the luminance, the measurement should be executed after lighting Backlight for 30 minutes in a stable, windless and dark room.



AUO Confidential For DATA ONLY Internal Use Only / 2011/7/20

Note 5: Definition of response time:

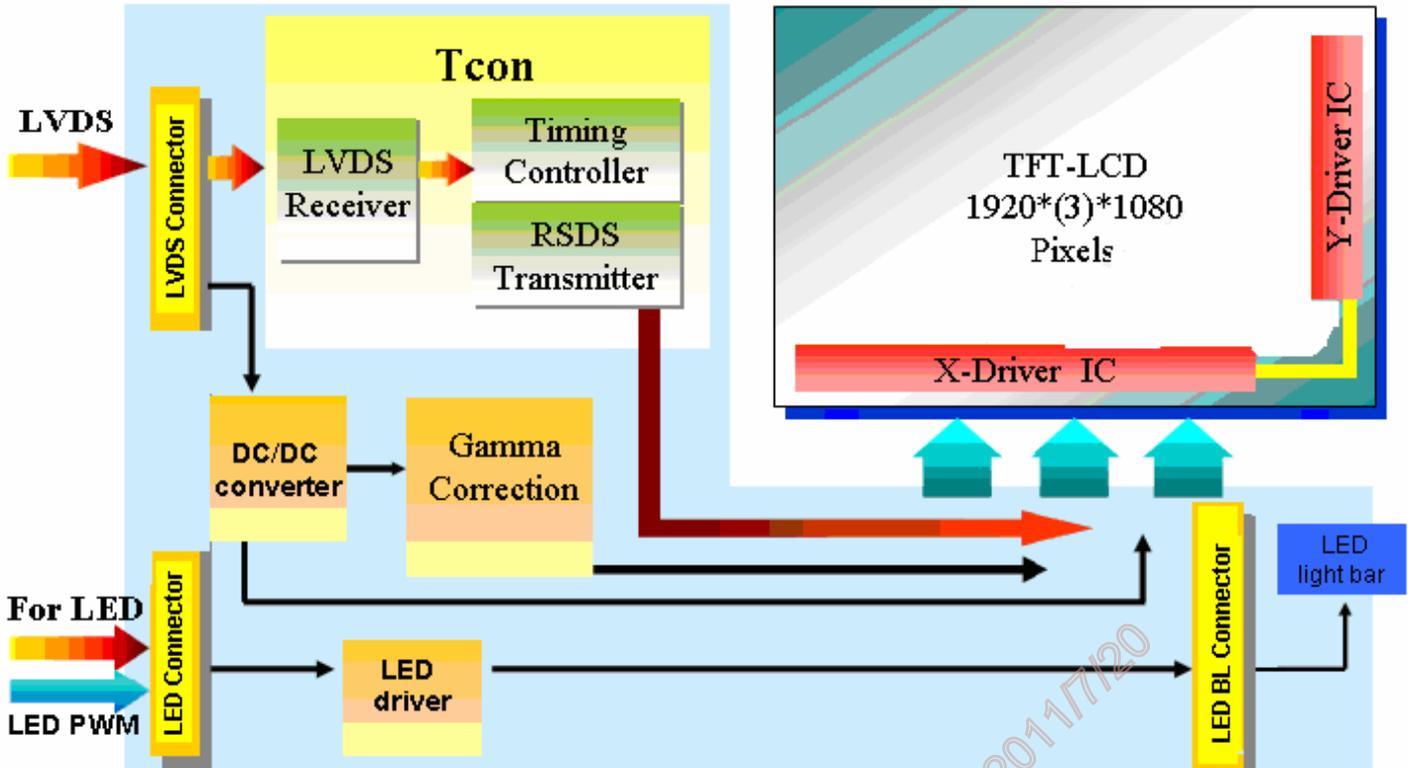
The output signals of photo detector are measured when the input signals are changed from “Full Black” to “Full White” (rising time), and from “Full White” to “Full Black” (falling time), respectively. The response time is interval between the 10% and 90% of amplitudes. Please refer to the figure as below.



AUO Confidential For DATAMODUL Internal Use Only / 2011/7/20

3. Functional Block Diagram

The following diagram shows the functional block of the 17.3 inches Color TFT-LCD Module:



AUO Confidential For DATAMODUL Internal Use Only / 2011/7/20

4. Absolute Maximum Ratings

Absolute maximum ratings of the module are as following:

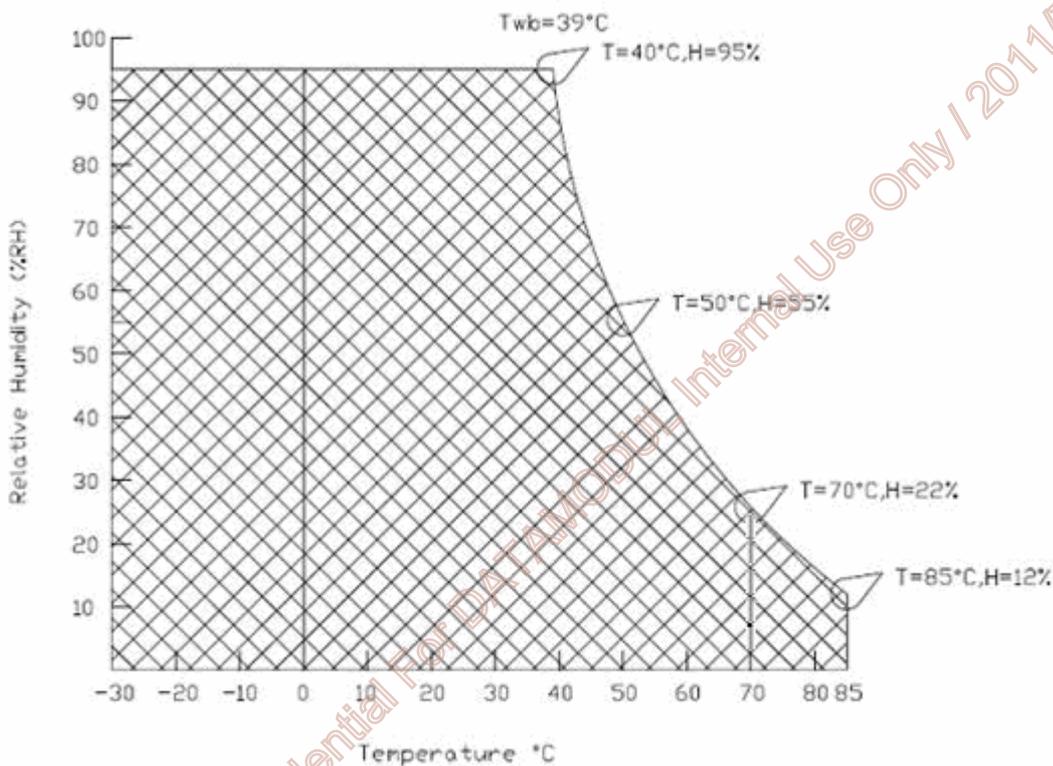
4.1 Absolute Ratings of TFT LCD Module

Item	Symbol	Min	Max	Unit
Logic/LCD Drive Voltage	Vin	-0.3	+3.6	[Volt]

4.2 Absolute Ratings of Environment

Item	Symbol	Min	Max	Unit
Operating Temperature	TOP	0	+70	[°C]
Operation Humidity	HOP	5	95	[%RH]
Storage Temperature	TST	-20	+70	[°C]
Storage Humidity	HST	5	95	[%RH]

Note: Maximum Wet-Bulb should be 39°C and no condensation.



5. Electrical characteristics

5.1 TFT LCD Module

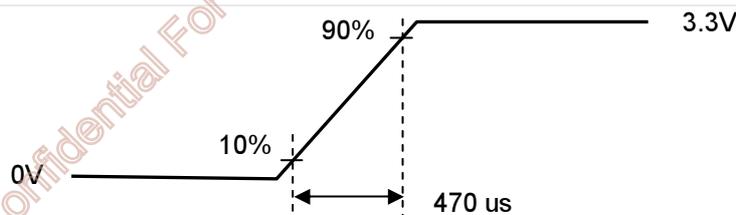
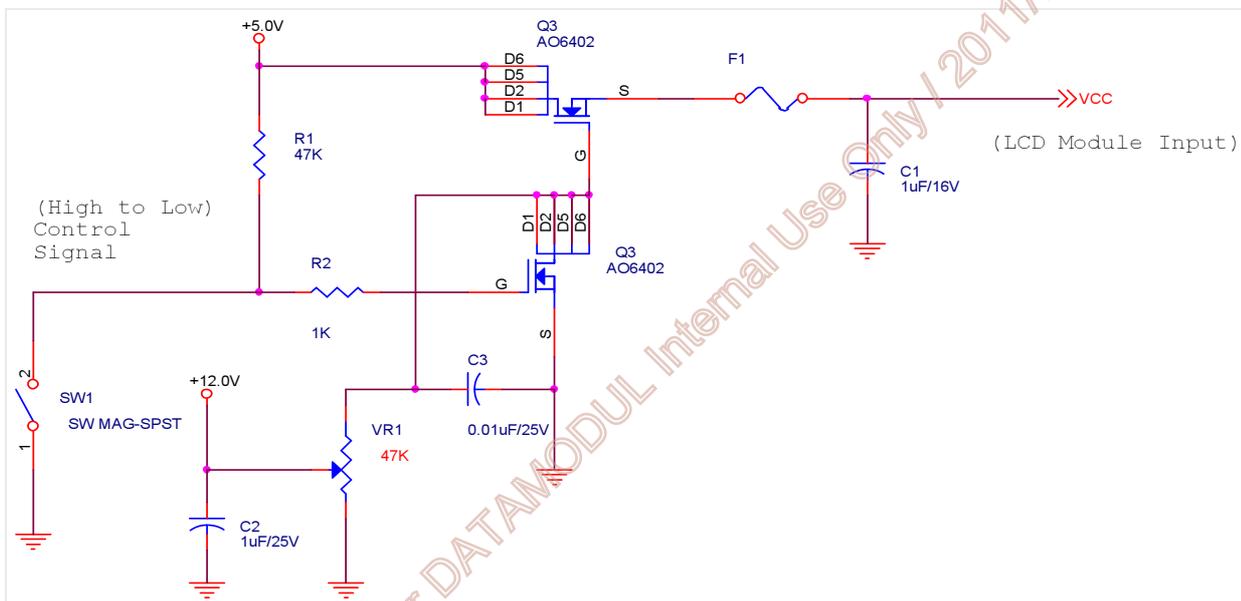
5.1.1 Power Specification

Input power specifications are as follows:

Symble	Parameter	Min.	Typ.	Max.	Unit	Condition
VDD	Logic/LCD Drive Voltage	3.0	3.3	3.6	[Volt]	±10%
IDD	Input Current	-	1200	1400	[mA]	VDD= 5.0V, All Black Pattern At 75Hz, +30%
PDD	VDD Power	-	5	6	[Watt]	VDD= 5.0V, All Black Pattern At 75Hz , Note 1
IRush	Inrush Current	-	-	2000	[A]	Note 2
VDDrp	Allowable Logic/LCD Drive Ripple Voltage	-	-	100	[mV] p-p	VDD= 3.3V, All Black Pattern At 75Hz

Note 1: The variance of VDD power consumption is ±30%.

Note 2: Measurement conditions:



Vin rising time

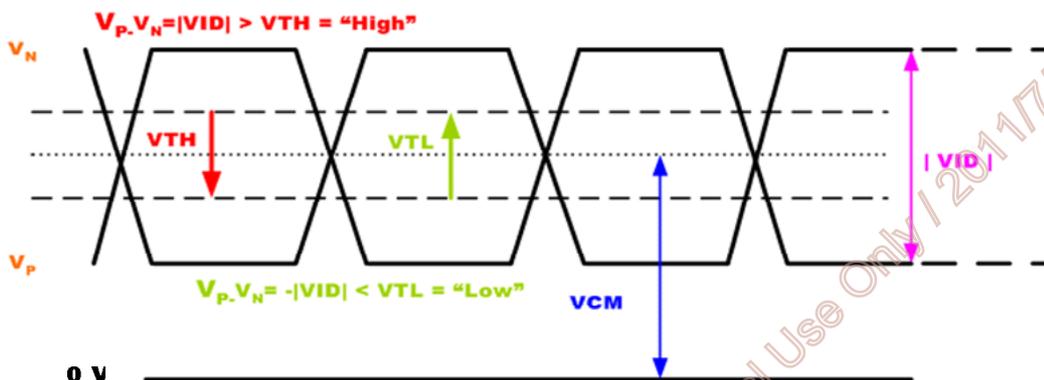
Symbol	Item	Min.	Typ.	Max.	Unit	Remark
VTH	Differential Input High Threshold	-	-	100	[mV]	VCM=1.2V
VTL	Differential Input Low Threshold	-100	-	-	[mV]	VCM=1.2V
VID	Input Differential Voltage	100	400	600	[mV]	
VICM	Differential Input Common Mode Voltage	1.125	-	1.375	[V]	VTH/VTL=+-100mV

5.1.2 Signal Electrical Characteristics

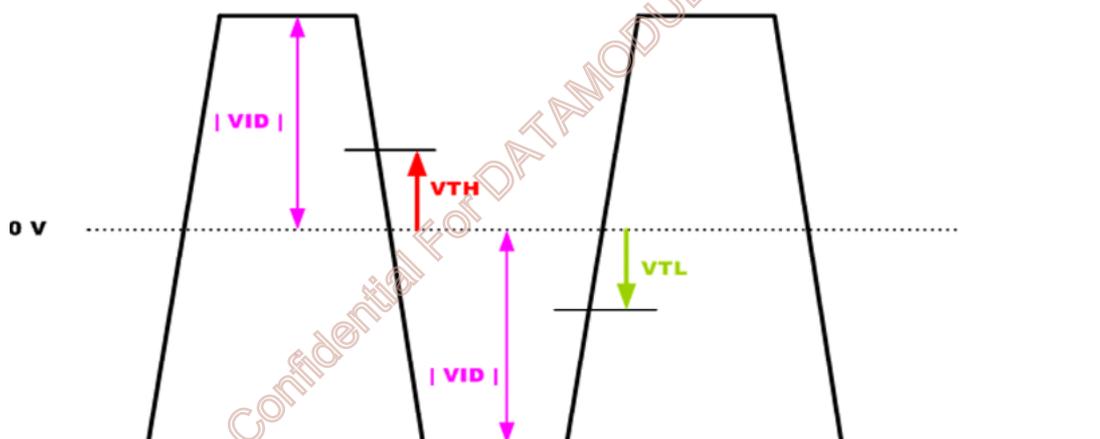
Input signals shall be low or Hi-Z state when VDD is off.

Note: LVDS Signal Waveform.

Single-end Signal



Differential Signal



5.2 Backlight Unit

Following characteristics are measured under a stable condition using an inverter at 25°C. (Room Temperature):

Symbol	Parameter	Min.	Typ.	Max.	Unit	Remark
VCC	Input Voltage	10.8	12	13.4	[Volt]	
I _{VCC}	Input Current	-	0.99	-	[A]	100% PWM Duty
P _{VCC}	Power Consumption	-	12	15	[Watt]	100% PWM Duty
F _{PWM}	Dimming Frequency	200	-	20K	[Hz]	
	Swing Voltage	3	3.3	5.5	[Volt]	
	Dimming duty cycle	5	-	100	%	
I _F	LED Forward Current	-	100	-	[mA]	Ta = 25°C
V _F	LED Forward Voltage	-	(3.3)	(3.7)	[Volt]	I _F = 100mA, Ta = 0°C
		-	3.2	3.6	[Volt]	I _F = 100mA, Ta = 25°C
		-	(3.1)	(3.5)	[Volt]	I _F = 100mA, Ta = 70°C
P _{LED}	LED Power Consumption	-	(10.24)	11.52	[Watt]	
LED Life Time		50,000	-	-	Hrs	I _F =100mA, Ta= 25°C

Note 1: Ta means ambient temperature of TFT-LCD module.

Note 2: VCC, I_{VCC}, P_{VCC} are defined for LED backlight.(100% duty of PWM dimming)

Note 3: I_F, V_F are defined for one channel LED. There are four LED channel in back light unit.

Note 4: If G173HE02 V0 module is driven by high current or at high ambient temperature & humidity condition. The operating life will be reduced.

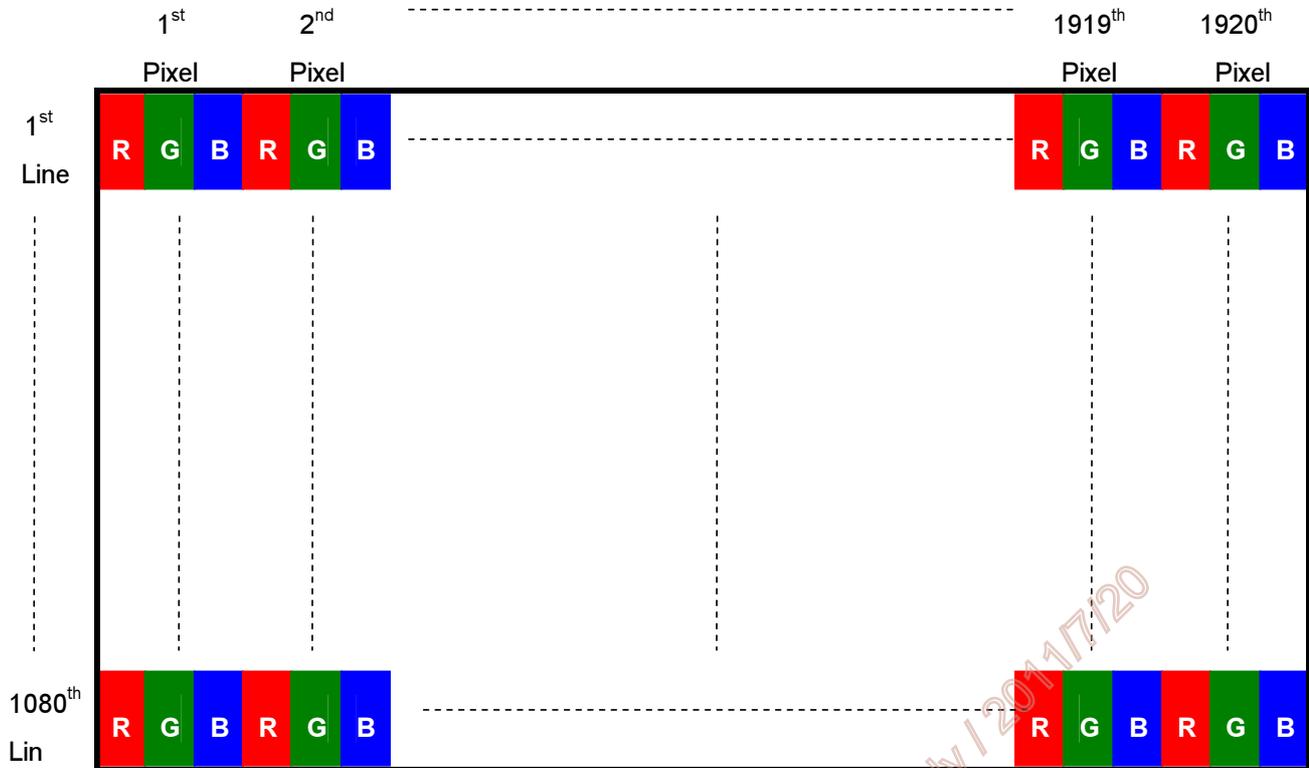
Note 5: Operating life means brightness goes down to 50% initial brightness. Minimum operating life time is estimated data.

Note 6: LED lifetime is definition: brightness is decreased to 50% of the initial value. LED lifetime is restricted under normal condition, ambient temperature = 25°C and LED operating I_F = 100mA.

6. Signal Characteristic

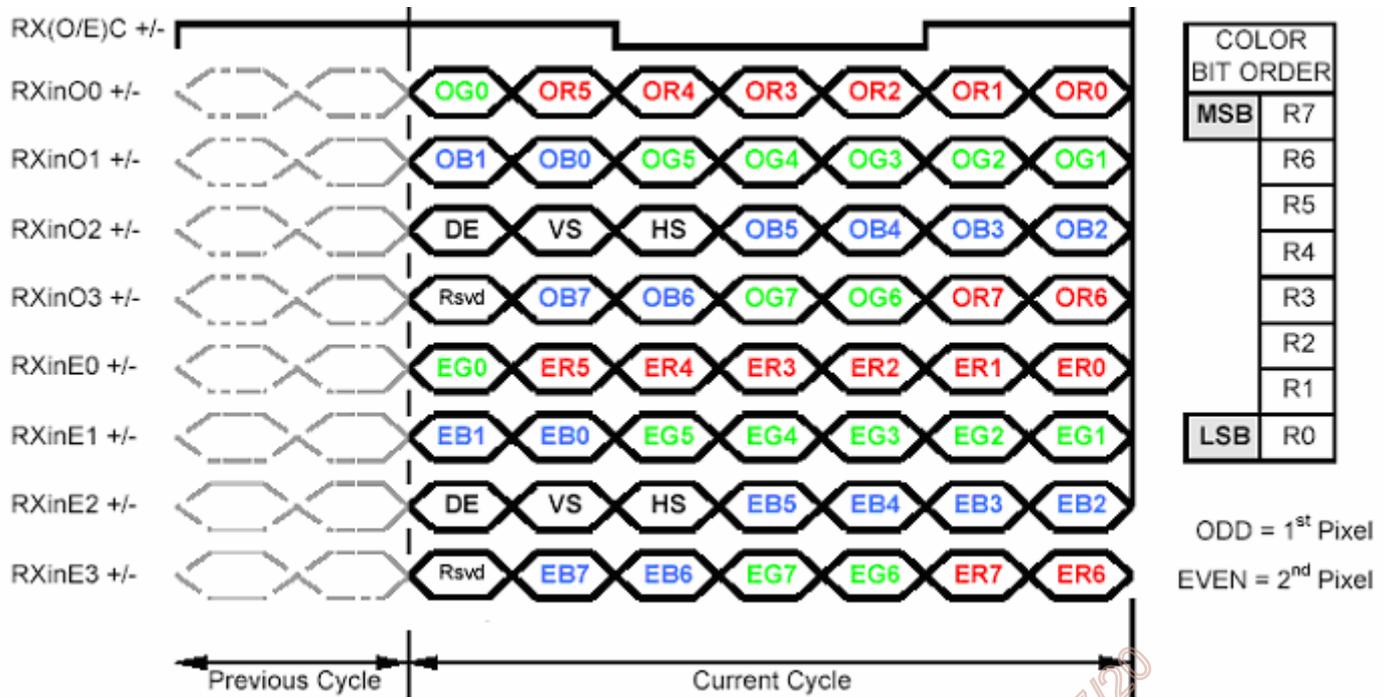
6.1 Pixel Format Image

Following figure shows the relationship of the input signals and LCD pixel format.



AUO Confidential For DATAMODUL Internal Use Only / 2011/17/20

6.2 The Input Data Format



Note1: Normally, DE, VS, HS on EVEN channel are not used.

Note2: 8-bit in

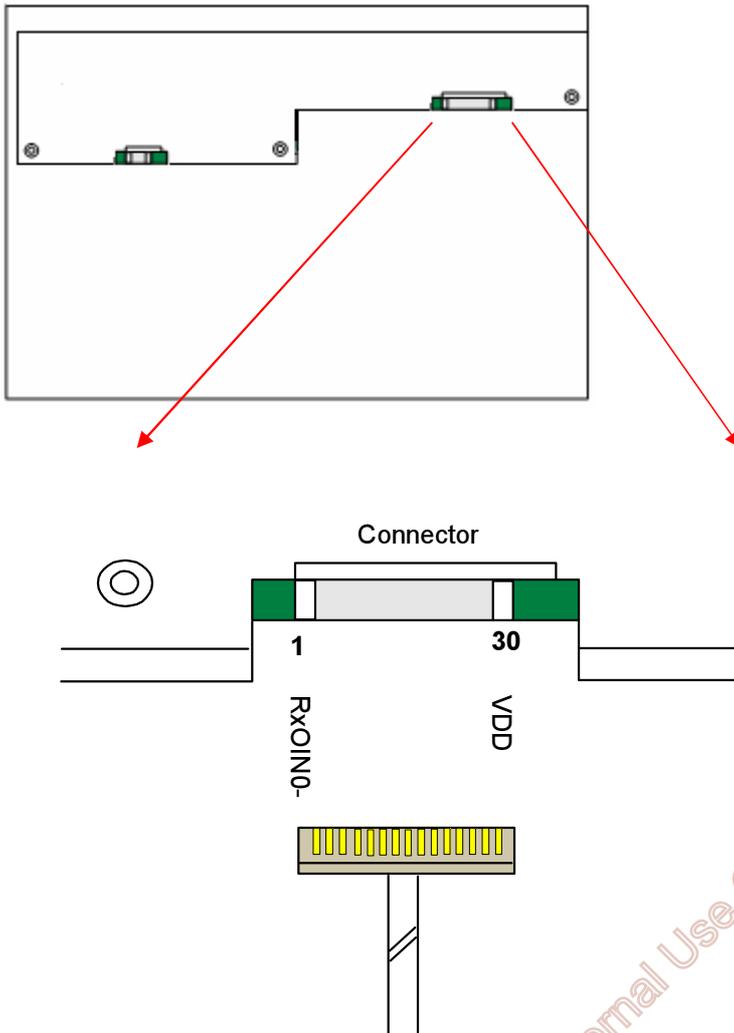
AUO Confidential For DATAMODUL Internal Use Only / 2017/12/29

6.3 Signal Description

The module using a pair of LVDS receiver SN75LVDS82(Texas Instruments) or compatible. LVDS is a differential signal technology for LCD interface and high speed data transfer device. Transmitter shall be SN75LVDS83(negative edge sampling) or compatible. The first LVDS port(RxOxxx) transmits odd pixels while the second LVDS port(RxExxx) transmits even pixels.

PIN #	SIGNAL NAME	DESCRIPTION
1	RxOIN0-	Negative LVDS differential data input (Odd data)
2	RxOIN0+	Positive LVDS differential data input (Odd data)
3	RxOIN1-	Negative LVDS differential data input (Odd data)
4	RxOIN1+	Positive LVDS differential data input (Odd data)
5	RxOIN2-	Negative LVDS differential data input (Odd data, H-Sync,V-Sync,DSPTMG)
6	RxOIN2+	Positive LVDS differential data input (Odd data, H-Sync,V-Sync,DSPTMG)
7	VSS	Power Ground
8	RxOCLKIN-	Negative LVDS differential clock input (Odd clock)
9	RxOCLKIN+	Positive LVDS differential clock input (Odd clock)
10	RxOIN3-	Negative LVDS differential data input (Odd data)
11	RxOIN3+	Positive LVDS differential data input (Odd data)
12	RxEIN0-	Negative LVDS differential data input (Even data)
13	RxEIN0+	Positive LVDS differential data input (Even data)
14	VSS	Power Ground
15	RxEIN1-	Negative LVDS differential data input (Even data)
16	RxEIN1+	Positive LVDS differential data input (Even data)
17	VSS	Power Ground
18	RxEIN2-	Negative LVDS differential data input (Even data)
19	RxEIN2+	Positive LVDS differential data input (Even data)
20	RxECLKIN-	Negative LVDS differential clock input (Even clock)
21	RxECLKIN+	Positive LVDS differential clock input (Even clock)
22	RxEIN3-	Negative LVDS differential data input (Even data)
23	RxEIN3+	Positive LVDS differential data input (Even data)
24	VSS	Power Ground
25	VSS	Power Ground
26	VSS	Power Ground
27	VSS	Power Ground
28	VDD	+3.3V Power Supply
29	VDD	+3.3V Power Supply
30	VDD	+3.3V Power Supply

Note1: Start from left side



Note2: Input signals of odd and even clock shall be the same timing.

Note3: Please follow PSWG.

AUO Confidential For DATAMODU Internal Use Only / 2017/7/20

6.4 Interface Timing

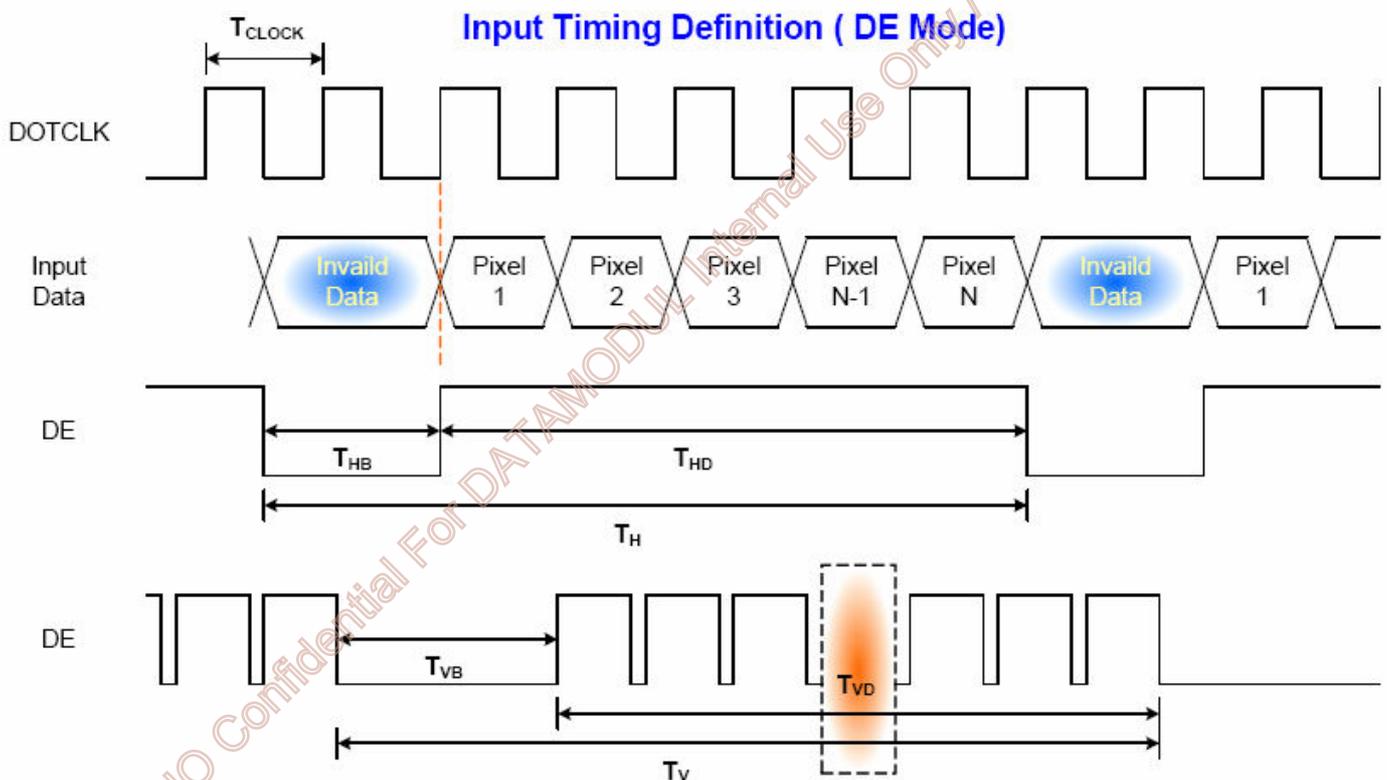
6.4.1 Timing Characteristics

Basically, interface timings should match the 1920X1080 / 60Hz manufacturing guide line timing.

Parameter	Symbol	Min.	Typ.	Max.	Unit	
Frame Rate	-	50	60	-	Hz	
Clock frequency	$1/T_{\text{Clock}}$	50	74.9	85	MHz	
Vertical Section	Period	T_V	1088	1130	1680	T_{Line}
	Active	T_{VD}	1080			
	Blanking	T_{VB}	8	50	-	
Horizontal Section	Period	T_H	990	1050	-	T_{Clock}
	Active	T_{HD}	960			
	Blanking	T_{HB}	30	90	-	

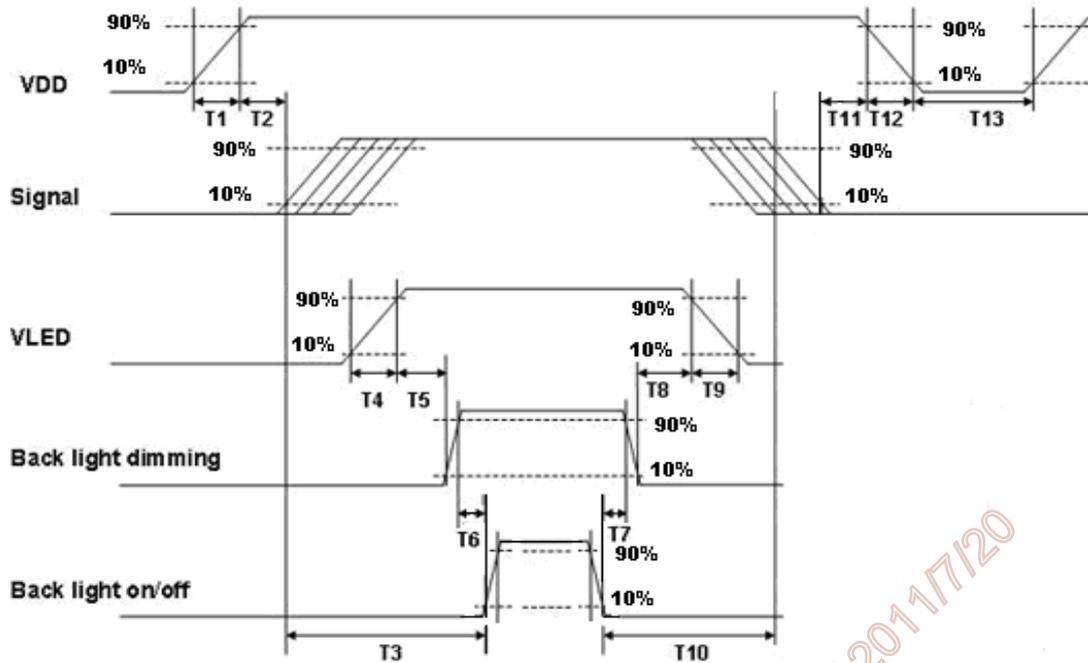
Note : DE mode only

6.4.2 Timing Diagram



6.5 Power ON/OFF Sequence

VDD power and lamp on/off sequence is as follows. Interface signals are also shown in the chart. Signals from any system shall be Hi-Z state or low level when VDD is off.



Power Sequence Timing

Power Sequence Timing				
Parameter	Value			Units
	Min.	Typ.	Max.	
T1	0.5	-	10	ms
T2	0	-	50	
T3	200	-	--	
T4	0.5	-	10	
T5	10	-	-	
T6	10	-	-	
T7	0	-	-	
T8	10	-	-	
T9	-	-	10	
T10	110	-	-	
T11	0	-	50	
T12	0	-	10	
T13	500	-	-	

7. Connector & Pin Assignment

Physical interface is described as for the connector on module. These connectors are capable of accommodating the following signals and will be following components.

7.1 TFT LCD Module

7.1.1 Connector

Connector Name / Designation	Interface Connector / Interface card
Manufacturer	HRS
Type Part Number	MDF76TW-30S-1H
Mating Type Part Number	MDF76-30P-1C

7.1.2 Pin Assignment

Pin#	Signal Name	Pin#	Signal Name
1	RxOIN0-	2	RxOIN0+
3	RxOIN1-	4	RxOIN1+
5	RxOIN2-	6	RxOIN2+
7	VSS	8	RxOCLKIN-
9	RxOCLKIN+	10	RxOIN3-
11	RxOIN3+	12	RxEIN0-
13	RxEIN0+	14	VSS
15	RxEIN1-	16	RxEIN1+
17	VSS	18	RxEIN2-
19	RxEIN2+	20	RxECLKIN-
21	RxECLKIN+	22	RxEIN3-
23	RxEIN3+	24	VSS
25	VSS	26	VSS
27	VSS	28	VDD
29	VDD	30	VDD

7.2 Backlight Unit

Physical interface is described as for the connector on module. These connectors are capable of accommodating the following signals and will be following components.

7.2.1 Connector

Connector Name / Designation	Lamp Connector / Backlight lamp
Manufacturer	HRS
Type Part Number	DF14A-6P-1.25H
Mating Type Part Number	DF14-6S-1.25C

7.2.2 Pin Assignment

Pin No.	Symbol	Description
Pin1	VLED	12V input
Pin2	VLED	12V input
Pin3	GND	GND
Pin4	GND	GND
Pin5	On/OFF	3.3-5V:ON, 0V:OFF
Pin6	Dimming	PWM

AUO Confidential For DATAMODUL Internal Use Only / 2017/7/20

8. Reliability Test

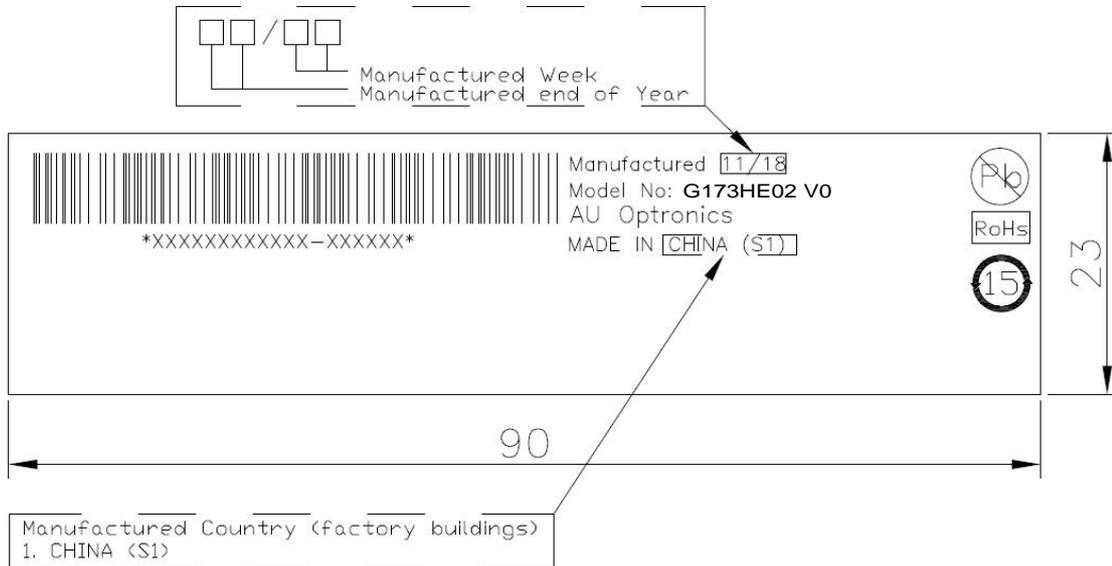
Environment test conditions are listed as following table.

Items	Required Condition	Note
Temperature Humidity Bias (THB)	Ta= 50°C, 80%RH, 240hours	
High Temperature Operation (HTO)	Ta= 70°C, 240hours	
Low Temperature Operation (LTO)	Ta= 0°C, 240hours	
High Temperature Storage (HTS)	Ta= 70°C, 240hours	
Low Temperature Storage (LTS)	Ta= -20°C, 240hours	
Vibration Test (Non-operation)	Acceleration: 1.5 G Wave: Random Frequency: 10 - 200 - 10 Hz Sweep: 30 Minutes each Axis (X, Y, Z)	
Shock Test (Non-operation)	Acceleration: 50 G Wave: Half-sine Active Time: 20 ms Direction: ±X, ±Y, ±Z (one time for each Axis)	
Drop Test	Height: 60 cm, package test	
Thermal Shock Test (TST)	-20°C/30min, 60°C/30min, 50 cycles	1
ESD (Electro-Static Discharge)	Contact Discharge: ± 8KV, 150pF(330Ω) 1sec, 8 points, 25 times/ point.	2
	Air Discharge: ± 15KV, 150pF(330Ω) 1sec 8 points, 25 times/ point.	

Note 1: The TFT-LCD module will not sustain damage after being subjected to 100 cycles of rapid temperature change. A cycle of rapid temperature change consists of varying the temperature from -20°C to 60°C, and back again. Power is not applied during the test. After temperature cycling, the unit is placed in normal room ambient for at least 4 hours before power on.

Note 2: According to EN61000-4-2, ESD class B: Some performance degradation allowed. No data lost. Self-recoverable. No hardware failures.

9. Shipping Label



Unit: mm

AUO Confidential For DATAMODUL Internal Use Only / 2017/7/20

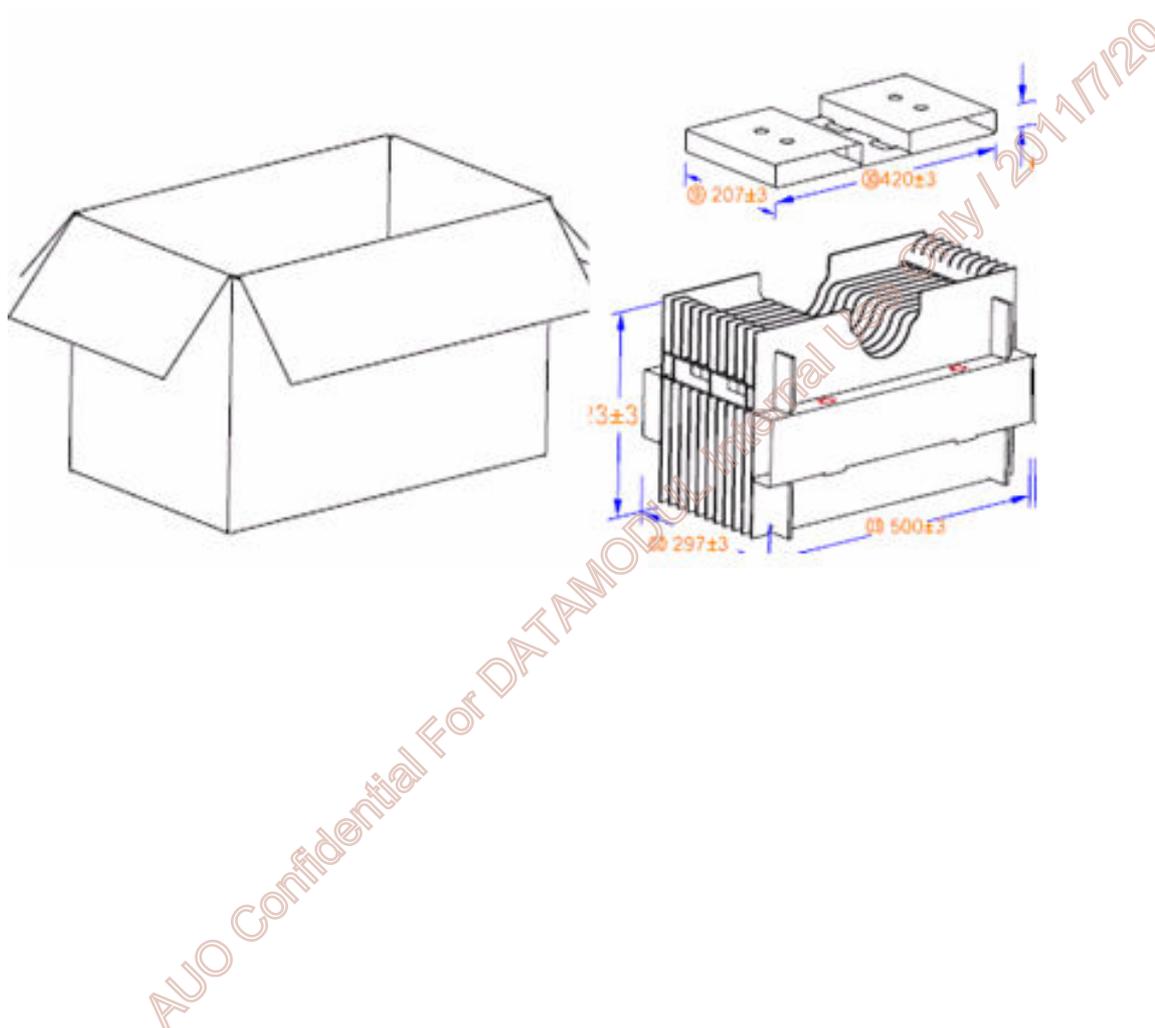
10. Packing Form

10.1 Packaging material

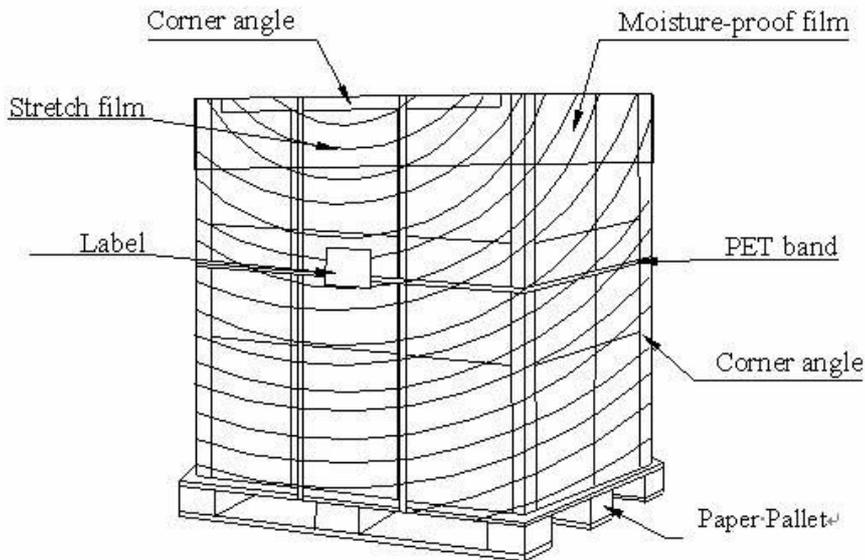
FILM PROTECT
BAG ANTI-STATIC
TAPE
TAPE CREPED PAPER
PACKING CARTON
LABEL SPEC
LABEL CARTON.
CUSHION PACKING

10.2 External packaging material required

- Carton : 524mm*321mm*360mm, weight (carton + cushion): 1250g



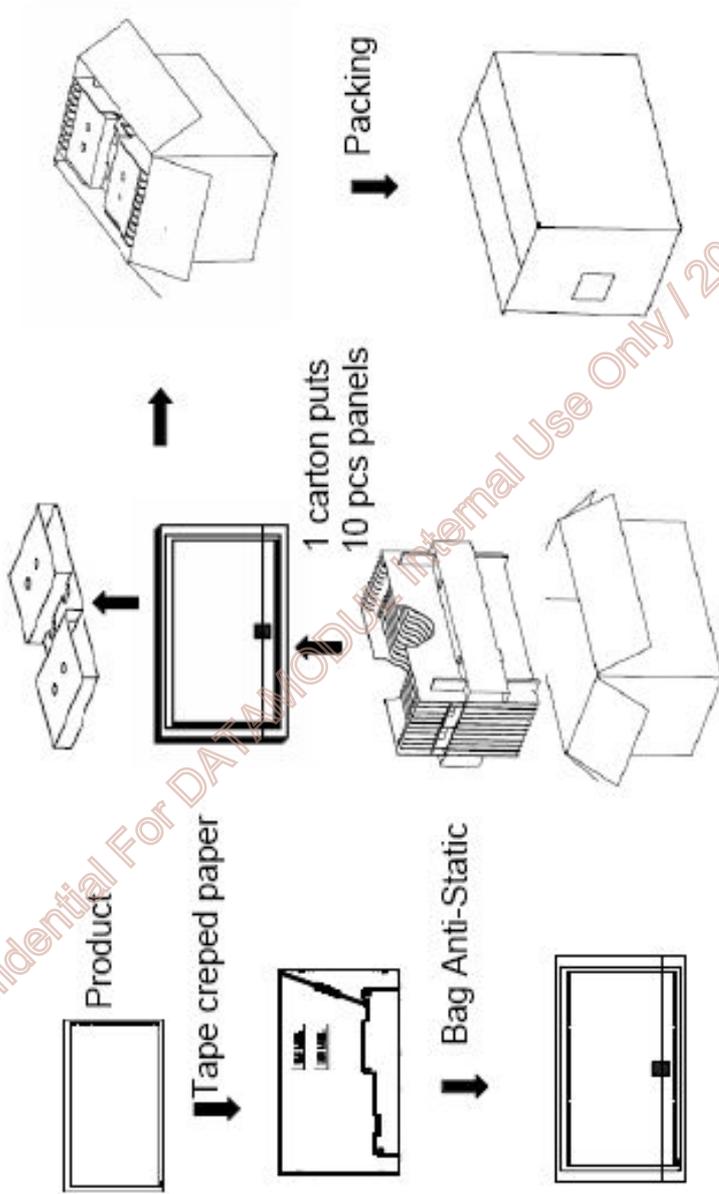
- Pallet : 1140mm*980mm*140mm
- Stretch film : 500mm (W)*300M (L)
- Corner angle : L type fiber board
- PET band : 19mm (W)
- Label : 220mm*200mm



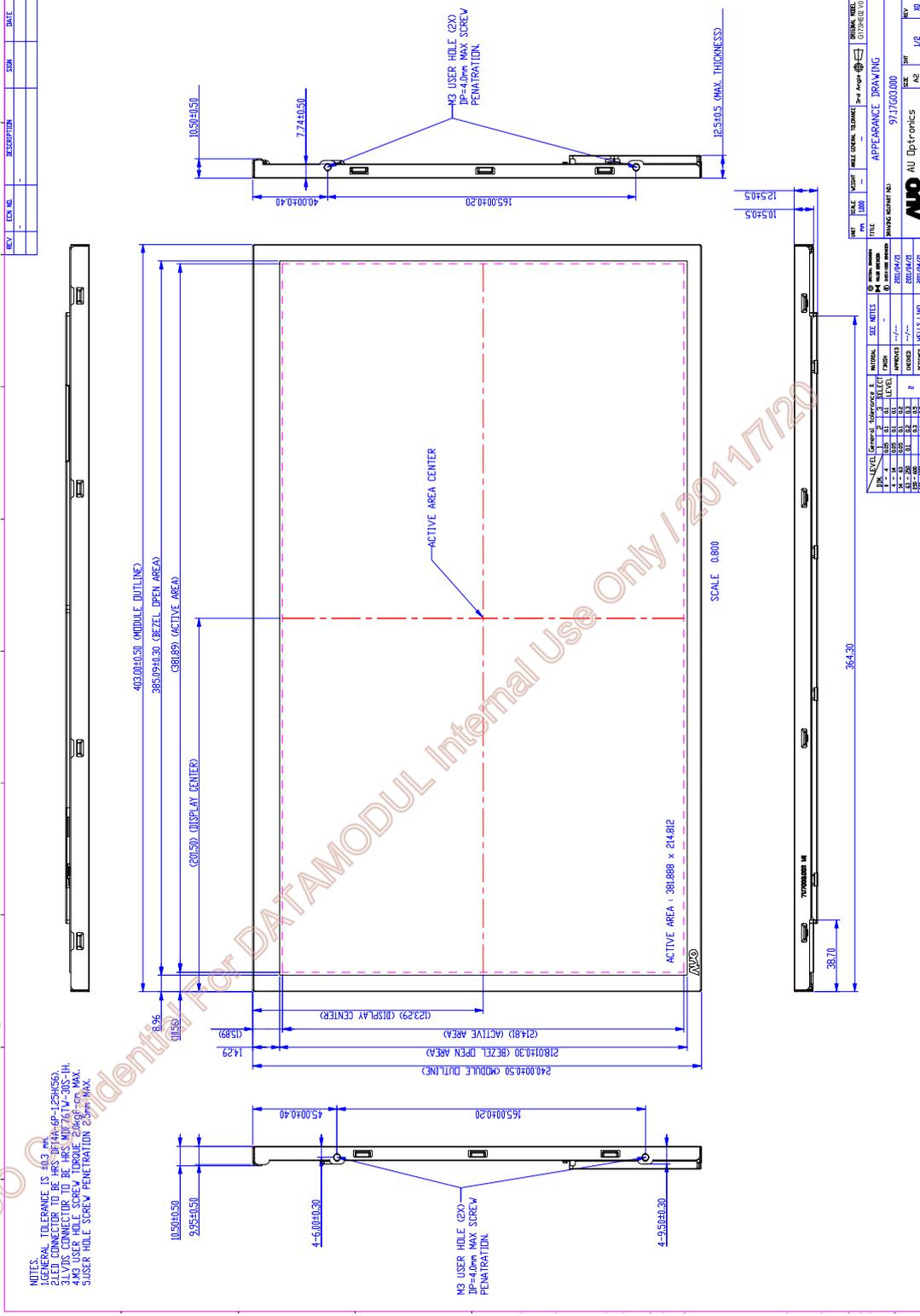
10.3 Palletizing sequence

	pcs / box	box / layer	layer / pallet	pcs / pallet
Shipping by air	10	2*3	3	180
Shipping by sea	10	2*3	3	180

10.4 Packing instruction



11. Outline Drawing



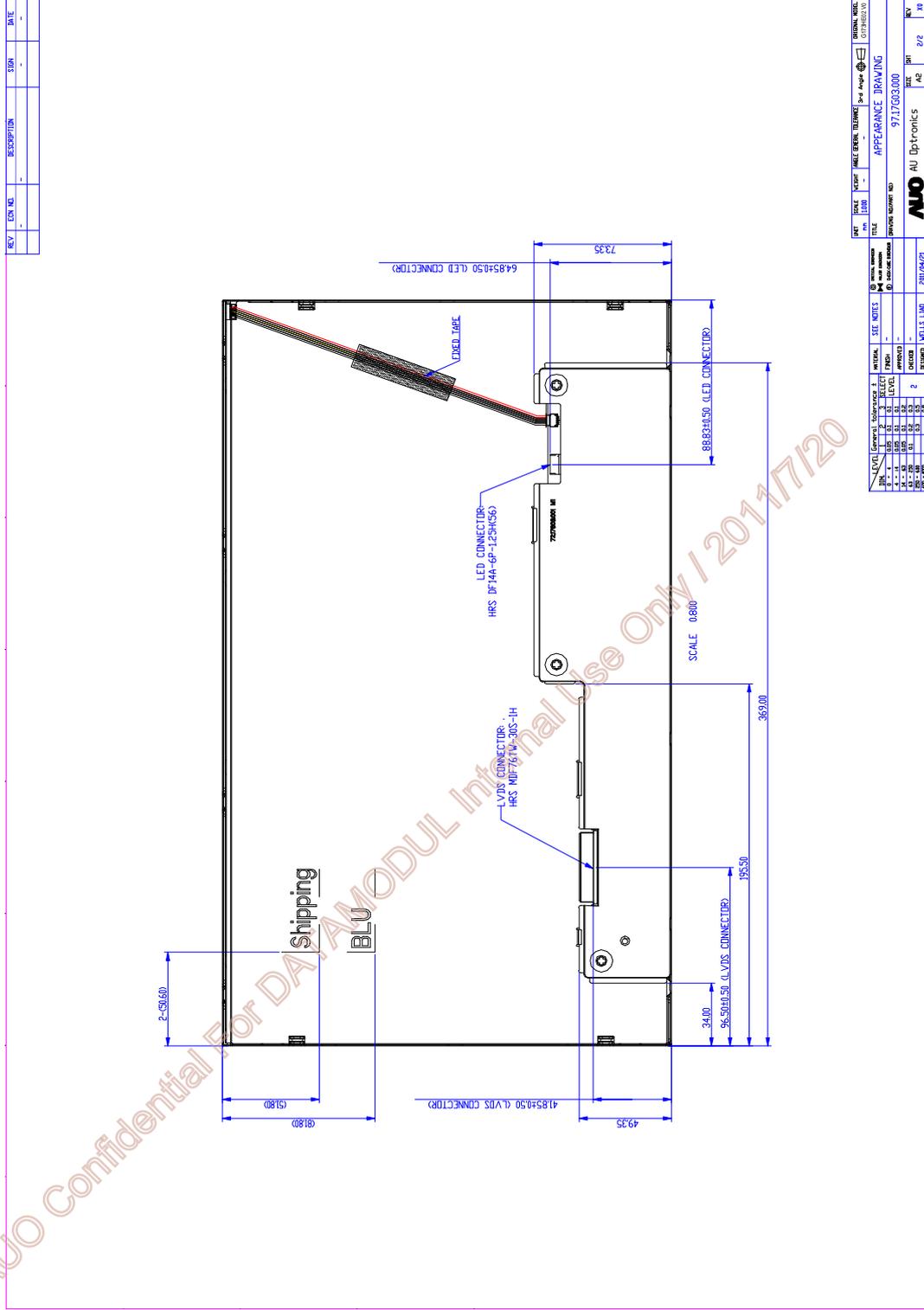


Product Specification

AU OPTRONICS CORPORATION

G173HE02 V0

REV	DATE	DESCRIPTION	BY	DATE



DATE	SCALE	UNIT	FILE	FILE CREATOR	FILE APPROV	ORIGINAL FILE

LEVEL	General	Substance	Material	See Notes
1	LED	12	FRN	
2	LVDS	13	FRN	
3	LVDS	14	FRN	
4	LVDS	15	FRN	
5	LVDS	16	FRN	
6	LVDS	17	FRN	
7	LVDS	18	FRN	
8	LVDS	19	FRN	
9	LVDS	20	FRN	
10	LVDS	21	FRN	
11	LVDS	22	FRN	
12	LVDS	23	FRN	
13	LVDS	24	FRN	
14	LVDS	25	FRN	
15	LVDS	26	FRN	
16	LVDS	27	FRN	
17	LVDS	28	FRN	
18	LVDS	29	FRN	
19	LVDS	30	FRN	
20	LVDS	31	FRN	
21	LVDS	32	FRN	
22	LVDS	33	FRN	
23	LVDS	34	FRN	
24	LVDS	35	FRN	
25	LVDS	36	FRN	
26	LVDS	37	FRN	
27	LVDS	38	FRN	
28	LVDS	39	FRN	
29	LVDS	40	FRN	
30	LVDS	41	FRN	
31	LVDS	42	FRN	
32	LVDS	43	FRN	
33	LVDS	44	FRN	
34	LVDS	45	FRN	
35	LVDS	46	FRN	
36	LVDS	47	FRN	
37	LVDS	48	FRN	
38	LVDS	49	FRN	
39	LVDS	50	FRN	
40	LVDS	51	FRN	
41	LVDS	52	FRN	
42	LVDS	53	FRN	
43	LVDS	54	FRN	
44	LVDS	55	FRN	
45	LVDS	56	FRN	
46	LVDS	57	FRN	
47	LVDS	58	FRN	
48	LVDS	59	FRN	
49	LVDS	60	FRN	
50	LVDS	61	FRN	
51	LVDS	62	FRN	
52	LVDS	63	FRN	
53	LVDS	64	FRN	
54	LVDS	65	FRN	
55	LVDS	66	FRN	
56	LVDS	67	FRN	
57	LVDS	68	FRN	
58	LVDS	69	FRN	
59	LVDS	70	FRN	
60	LVDS	71	FRN	
61	LVDS	72	FRN	
62	LVDS	73	FRN	
63	LVDS	74	FRN	
64	LVDS	75	FRN	
65	LVDS	76	FRN	
66	LVDS	77	FRN	
67	LVDS	78	FRN	
68	LVDS	79	FRN	
69	LVDS	80	FRN	
70	LVDS	81	FRN	
71	LVDS	82	FRN	
72	LVDS	83	FRN	
73	LVDS	84	FRN	
74	LVDS	85	FRN	
75	LVDS	86	FRN	
76	LVDS	87	FRN	
77	LVDS	88	FRN	
78	LVDS	89	FRN	
79	LVDS	90	FRN	
80	LVDS	91	FRN	
81	LVDS	92	FRN	
82	LVDS	93	FRN	
83	LVDS	94	FRN	
84	LVDS	95	FRN	
85	LVDS	96	FRN	
86	LVDS	97	FRN	
87	LVDS	98	FRN	
88	LVDS	99	FRN	
89	LVDS	100	FRN	
90	LVDS	101	FRN	
91	LVDS	102	FRN	
92	LVDS	103	FRN	
93	LVDS	104	FRN	
94	LVDS	105	FRN	
95	LVDS	106	FRN	
96	LVDS	107	FRN	
97	LVDS	108	FRN	
98	LVDS	109	FRN	
99	LVDS	110	FRN	
100	LVDS	111	FRN	
101	LVDS	112	FRN	
102	LVDS	113	FRN	
103	LVDS	114	FRN	
104	LVDS	115	FRN	
105	LVDS	116	FRN	
106	LVDS	117	FRN	
107	LVDS	118	FRN	
108	LVDS	119	FRN	
109	LVDS	120	FRN	
110	LVDS	121	FRN	
111	LVDS	122	FRN	
112	LVDS	123	FRN	
113	LVDS	124	FRN	
114	LVDS	125	FRN	
115	LVDS	126	FRN	
116	LVDS	127	FRN	
117	LVDS	128	FRN	
118	LVDS	129	FRN	
119	LVDS	130	FRN	
120	LVDS	131	FRN	
121	LVDS	132	FRN	
122	LVDS	133	FRN	
123	LVDS	134	FRN	
124	LVDS	135	FRN	
125	LVDS	136	FRN	
126	LVDS	137	FRN	
127	LVDS	138	FRN	
128	LVDS	139	FRN	
129	LVDS	140	FRN	
130	LVDS	141	FRN	
131	LVDS	142	FRN	
132	LVDS	143	FRN	
133	LVDS	144	FRN	
134	LVDS	145	FRN	
135	LVDS	146	FRN	
136	LVDS	147	FRN	
137	LVDS	148	FRN	
138	LVDS	149	FRN	
139	LVDS	150	FRN	
140	LVDS	151	FRN	
141	LVDS	152	FRN	
142	LVDS	153	FRN	
143	LVDS	154	FRN	
144	LVDS	155	FRN	
145	LVDS	156	FRN	
146	LVDS	157	FRN	
147	LVDS	158	FRN	
148	LVDS	159	FRN	
149	LVDS	160	FRN	
150	LVDS	161	FRN	
151	LVDS	162	FRN	
152	LVDS	163	FRN	
153	LVDS	164	FRN	
154	LVDS	165	FRN	
155	LVDS	166	FRN	
156	LVDS	167	FRN	
157	LVDS	168	FRN	
158	LVDS	169	FRN	
159	LVDS	170	FRN	
160	LVDS	171	FRN	
161	LVDS	172	FRN	
162	LVDS	173	FRN	
163	LVDS	174	FRN	
164	LVDS	175	FRN	
165	LVDS	176	FRN	
166	LVDS	177	FRN	
167	LVDS	178	FRN	
168	LVDS	179	FRN	
169	LVDS	180	FRN	
170	LVDS	181	FRN	
171	LVDS	182	FRN	
172	LVDS	183	FRN	
173	LVDS	184	FRN	
174	LVDS	185	FRN	
175	LVDS	186	FRN	
176	LVDS	187	FRN	
177	LVDS	188	FRN	
178	LVDS	189	FRN	
179	LVDS	190	FRN	
180	LVDS	191	FRN	
181	LVDS	192	FRN	
182	LVDS	193	FRN	
183	LVDS	194	FRN	
184	LVDS	195	FRN	
185	LVDS	196	FRN	
186	LVDS	197	FRN	
187	LVDS	198	FRN	
188	LVDS	199	FRN	
189	LVDS	200	FRN	
190	LVDS	201	FRN	
191	LVDS	202	FRN	
192	LVDS	203	FRN	
193	LVDS	204	FRN	
194	LVDS	205	FRN	
195	LVDS	206	FRN	
196	LVDS	207	FRN	
197	LVDS	208	FRN	
198	LVDS	209	FRN	
199	LVDS	210	FRN	
200	LVDS	211	FRN	
201	LVDS	212	FRN	
202	LVDS	213	FRN	
203	LVDS	214	FRN	
204	LVDS	215	FRN	
205	LVDS	216	FRN	
206	LVDS	217	FRN	
207	LVDS	218	FRN	
208	LVDS	219	FRN	
209	LVDS	220	FRN	
210	LVDS	221	FRN	
211	LVDS	222	FRN	
212	LVDS	223	FRN	
213	LVDS	224	FRN	
214	LVDS	225	FRN	
215	LVDS	226	FRN	
216	LVDS	227	FRN	
217	LVDS	228	FRN	
218	LVDS	229	FRN	
219	LVDS	230	FRN	
220	LVDS	231	FRN	
221	LVDS	232	FRN	
222	LVDS	233	FRN	
223	LVDS	234	FRN	
224	LVDS	235	FRN	
225	LVDS	236	FRN	
226	LVDS	237	FRN	
227	LVDS	238	FRN	
228	LVDS	239	FRN	
229	LVDS	240	FRN	
230	LVDS	241	FRN	
231	LVDS	242	FRN	
232	LVDS	243	FRN	
233	LVDS	244	FRN	
234	LVDS	245	FRN	
235	LVDS	246	FRN	
236	LVDS	247	FRN	
237	LVDS	248	FRN	
238	LVDS	249	FRN	
239	LVDS	250	FRN	
240	LVDS	251	FRN	
241	LVDS	252	FRN	
242	LVDS	253	FRN	
243	LVDS	254	FRN	
244	LVDS	255	FRN	
245	LVDS	256	FRN	
246	LVDS	257	FRN	
24				