

4+2CH serial input motor driver IC for DSC

Features

- Built in 3 full-swing/constant voltage drivers switched by serial control with brake function.
- Built in 1 constant current drivers for shutter or IRIS.
- Low on-resistance (1.2Ω, sum of on-resistance of upside and bottom side).
- Output current : $I_{out} \leq 0.8A(\text{max.})$ for each channel.
- Build-in thermal shutdown (TSD, 150°C).
- CH1/2 corresponds to STM control of 2-2 phase or 1-2 phase.
- Built in exclusive control mode: CH13/23 → the combination control mode of 5CH is set.
- Built in exclusive control mode: CH3/4(for DCM) → the combination control mode of 6CH is set.
- Power save mode corresponds by serial control setup.
- PI (photo interrupter drive) 3 channel built-in.
- Small 20TQFN (3×3mm) is adopted.

Applications

- Stepping motor driver/ DC motor driver for DSC

General Description

G2009 is a 4+2-channel H-Bridge motor drivers IC for the digital camera and so on. It has three full-swing/constant voltage drivers and one full-swing/constant current drivers. G2009 can be operated in serial control mode or partial exterior control mode. When operating in partial exterior control mode, the mode of each CH is fixed by initial serial control setting. When operating in serial control mode, the mode of each driver can be setting by serial control.

Ordering Information

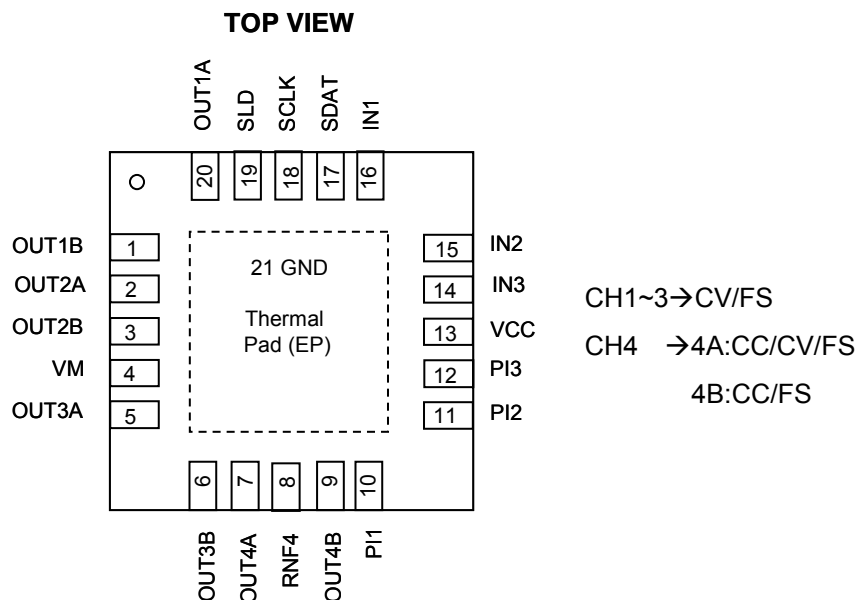
ORDER NUMBER	MARKING	TEMP. RANGE	PACKAGE (Green)
G2009RZ1U	2009	-20°C to +85°C	TQFN3X3-20

Note: RZ: TQFN3X3-20

1: Bonding Code

U: Tape & Reel

Pin Configurations



Note: Recommend connecting the Thermal Pad to the Ground for excellent power dissipation.