

## 2-Channel DC Motor Driver for Toy

### Features

- Independent 2-Channel H-bridge drivers built-in power PMOS and NMOS.
- All the drivers with forward, reverse, stop and brake function.
- Low stand-by and operating current.
- Low on-resistance. (1Ω)
- Low voltage operation.
- Built-in thermal shutdown function.
- Package SOP-16 & DIP-16

### General Description

The G2011 is a 2-channel H-bridge drivers IC for DC motor application. It has the features of low stand-by current, low operating current, large current output and low RDSON. Those features make it suitable for toy.

The G2011 is available in 16-pin SOP & DIP package.

### Applications

- Toy Motor Driver

### Ordering Information

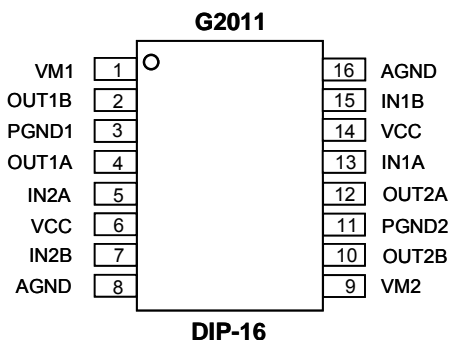
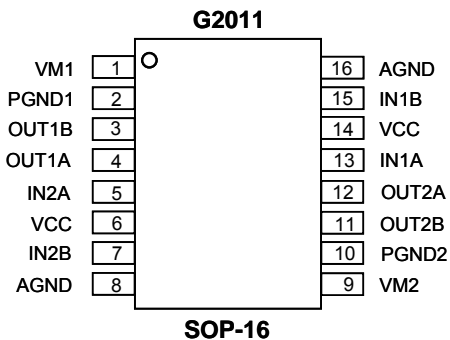
ORDER NUMBER	MARKING	TEMP. RANGE	PACKAGE (Green)
G2011P31U	G2011	-20°C to +85°C	SOP-16
G2011Z41U	G2011	-20°C to +85°C	DIP-16

Note: P3: SOP-16 Z4: DIP-16

1: Bonding Code

U: Tube & Reel

### Pin Configuration



### Typical Application Circuit

