

8+1CH Series Input Motor Driver IC for DSC

Features

- Built in 4 full-swing/constant voltage drivers for simulation micro stepping motor. (STM OIS)
- Built in 1 full-swing/constant current drivers for shutter or IRIS
- Built in 3+1 full-swing/constant voltage drivers switched by serial control with brake function.
- Low on-resistance (1.2Ω, sum of on-resistance of upside and bottom side)
- Output current : $I_{OUT} \leq 0.8A(max.)$ for each channel
- Build-in thermal shutdown (TSD, 150°C)
- CH1/2 corresponds to STM control of 2-2 phase or 1-2 phase
- Built in exclusive control mode: CH25/45 (STM-B), the combination control mode of 10CH is set
- All power supply systems (VCC, VM12, VM345, VM6789) can be set up with an independent power supply
- Power save mode corresponds by serial control setup
- Built in POR (power on reset) function.
- I2C interface
- PI (photo interrupter driver) 2 channel built-in
- TQFN(5*5mm)-40 package is adopted

General Description

G2022 is a 8i+1-channel H-Bridge motor drivers IC for the digital camera and so on. It has eight full-swing/constant voltage drivers and one full-swing/constant current/constant voltage drivers. G2022 can be operated in serial control mode or partial exterior control mode. When operating in partial exterior control mode, the mode of each CH is fixed by initial serial control setting. When operating in serial control mode, the mode of each driver can be setting by serial control.

The serial interface (I2C) that operates at clock rates up to 400 KHz.

Ordering Information

ORDER NUMBER	MARKING	TEMP. RANGE	PACKAGE (Green)
G2022RG1U	2022	-20°C to +85°C	TQFN5X5-40

Note: RG:TQFN5X5-40

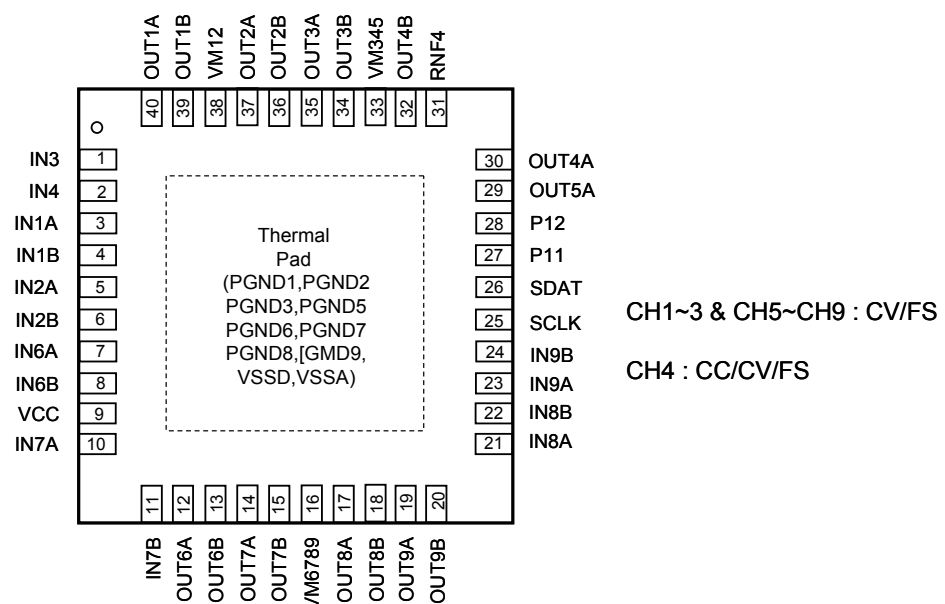
1 : Bonding Code

U: Tape & Reel

Applications

- Stepping motor driver/ DC motor driver motor driver for DSC

Pin Configuration



Note: Must connecting the Thermal Pad to the Ground for excellent power dissipation