

1-Channel DC Motor driver for DSC

Features

- 1-Channel H-bridge driver built-in power PMOS and NMOS.
- The driver with forward, reverse, stop and brake function.
- Low on-resistance (0.3Ω, sum of on-resistance of up side and bottom side)
- Output current : $I_{OUT} \leq 1A(max.)$
- Built-in thermal shutdown (TSD, 150°C)
- 18V Maximum Rating for VM Power.
- Package SOP-8(FD) & TSSOP-14
- RoHS Compliant

Applications

DC motor driver for DSC

General Description

The G2024 is a 1-channel forward/reverse H-Bridge motor drivers IC for DC motor application. It has the features of large current output and low $R_{DS(ON)}$ (0.3ohm typ) and supports the PWM input.

The G2024 is available in 8-pin SOP(FD) & 14-pin TSSOP package.

Ordering Information

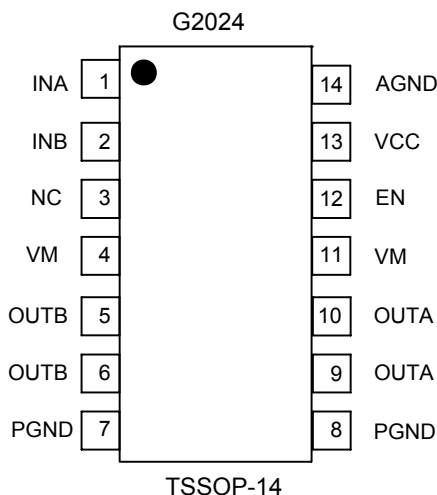
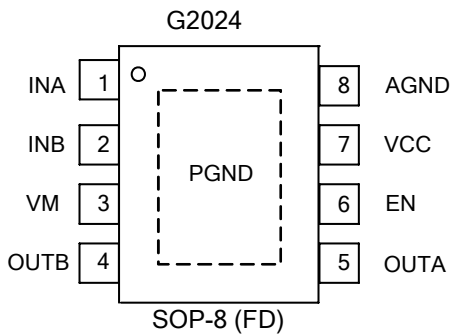
ORDER NUMBER	MARKING	TEMP. RANGE	PACKAGE (Green)
G2024F11U	G2024	-20°C to +85°C	SOP-8 (FD)
G2024D21U	G2024	-20°C to +85°C	TSSOP-14

Note: F1: SOP-8 (FD) D2: TSSOP-14

1: Bonding Code

U: Tape & Reel

Pin Configurations



Typical Application Circuit

