

Photoflash Capacitor Charger for DSC

Feature

- VCC 2.9V to 5.5V Supply Voltage Operating Range.
- Suitable voltage range for Battery 1.6V to 9V.
- Adjustable Output Voltage.
- Adjustable Peak Current.
- Charge Complete Indicator.
- Built-in IGBT Driver.
- Thermal Protection
- Built-in Output Short Circuit Protection
- Charges Any Size Photoflash Capacitor.
- Small 10-lead DFN Package.

Description

The G2132 is a charger IC for Photoflash capacitor with soft-start function, an IGBT driver for igniting flash tube, adjustable output voltage and adjustable primary peak current to perform energy transition on each charge cycle. The output voltage is determined by voltage divider connecting to the anode of the rectifying diode. The voltage sensing path is cut off when charging function to be completed to maintain minimum output voltage decay. It also provides SCP function for the voltage divider open or output short.

Application

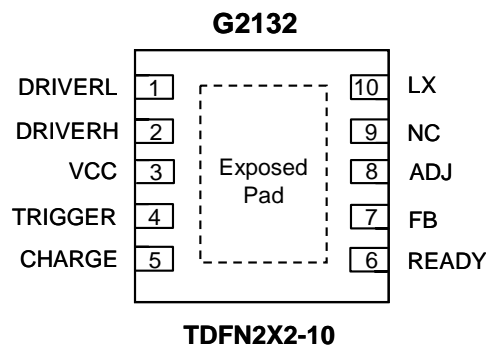
- Digital / Film Camera Flash
- PDA / Cell Phone Flash.

Ordering Information

ORDER NUMBER	MARKING	TEMP. RANGE	PACKAGE (Green)
G2132K21U	2132	-40°C to +85°C	TDFN2X2-10

Note: K2: TDFN2x2-10
 1: Bonding Code
 U: Tape & Reel

Pin Configuration



Note: Exposed Pad must connect to GND.