

High Efficiency, Constant Current 36V, 1A LED Driver with Internal Switch

Feature

- Operating Voltage: 7V to 36V
- Output driving current up to 1A (1 × LED)
- Internal PWM filter
- Shutdown Current <math><20\mu\text{A}</math> (Typ)
- Digital Dimming Control
- Thermal Overload Protection
- Open/Shorted LED Protection
- SOP-8, SOT-23-5 and SOT-89-5 Package

Description

The G2620 is a step-down converter, designed for driving high-brightness LED. The device operates over a 7V to 36V input voltage and driving current from few milliamps up to 1A.

The device built-in Overload Protection to prevent operating fails condition.

Application

- GPS Navigation System
- Compact Back Light Module
- Constant Current Source
- LED Module

Ordering Information

ORDER NUMBER	MARKING	TEMP. RANGE	PACKAGE (Green)
G2620P11U	2620	-30°C to +105°C	SOP-8
G2620T11U	2620x	-30°C to +105°C	SOT-23-5
G2620TE1U	2620	-30°C to +105°C	SOT-89-5

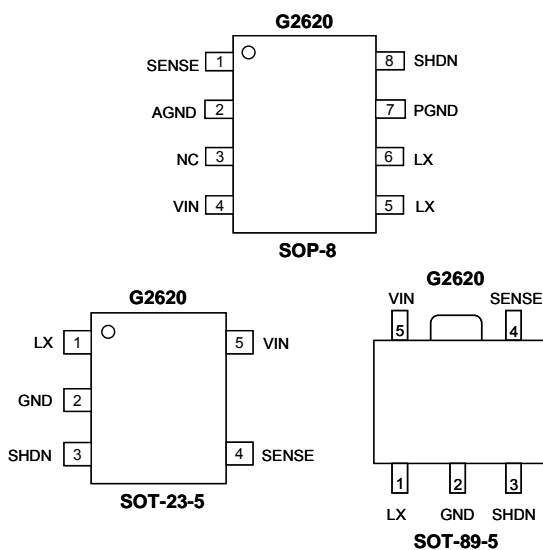
Note: P1: SOP-8 T1: SOT23-5 TE: SOT-89-5

1: Bonding Code

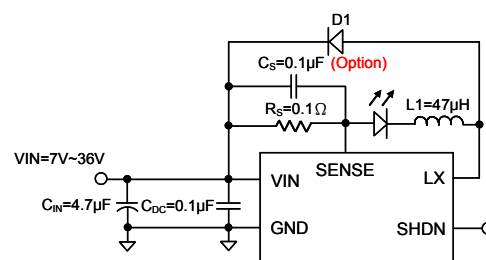
U: Tape & Reel

Green : Lead Free / Halogen Free

Pin Configuration



Typical Application Circuit



*The PCB layout of G2610 must be carefully designed, otherwise the SENSE pin would be disturbed. An optioned 0.1μF decoupling capacitor(C_S) between VIN and SENSE is suggested, please place it as closely to VIN and SENSE as possible.