

LOW POWER, LOW DROPOUT  
MIDDLE CURRENT VOLTAGE REGULATORS

G6265 Series

## DESCRIPTION

The G6265 series are precise, low power consumption, high voltage; positive voltage regulators manufactured using CMOS and laser trimming technologies. The series provides large currents with a significantly small dropout voltage. The G6265 consists of a current limiter circuit, a driver transistor, a precision reference voltage and an error correction circuit. The series is compatible with low ESR ceramic capacitors. The current limiter's foldback circuit also operates as a short protect for the output current limiter and the output pin. Output voltage can be set internally by laser trimming technologies. It is selectable in 100mV increments within a range of 1.2V to 5.0V. SOT-89-3, SOT-23-3, SOT353 and SOT23-3B packages are available.

## FEATURES

- Output Voltage Range 1.2V to 5.0V (selectable in 100mV steps)
- Highly Accurate  $\pm 2\%$
- Dropout Voltage 120mV @ 40mA (3.0V type)
- Low Power Consumption 2  $\mu$  A (TYP.)
- Maximum Output Current 100mA ( $V_{in} \geq V_{out} + 1V$ )
- Internal protector current limiter and short protector
- Small packages SOT-89-3, SOT-23-3, SOT23-3B, SOT353 and other required

## APPLICATIONS

- Battery powered equipment
- Reference voltage sources
- Cameras, Video cameras
- Mobile phones
- Communication tools

## PACKAGE

- SOT-89-3
- SOT-23-3, SOT23-3B
- SOT353
- Other required

## BLOCK DIAGRAM

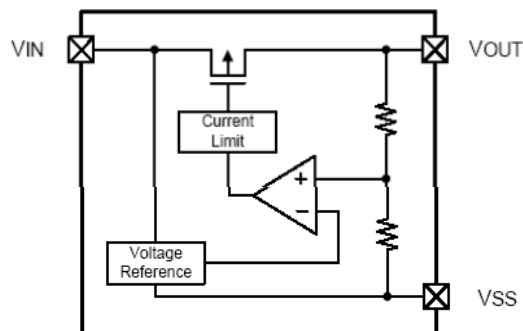


Figure 1