



## CMOS VERSATILE INTERFACE ADAPTER WITH INTERVAL TIMER/COUNTERS

### Features

- CMOS process technology for low power consumption
- Fully compatible with NMOS 6522 devices
- Low power consumption allows battery-powered operation (2mA at 1MHz)
- Two 8-bit, bidirectional peripheral I/O ports
- Two powerful 16-bit programmable timer/counters
- Serial bidirectional peripheral I/O port

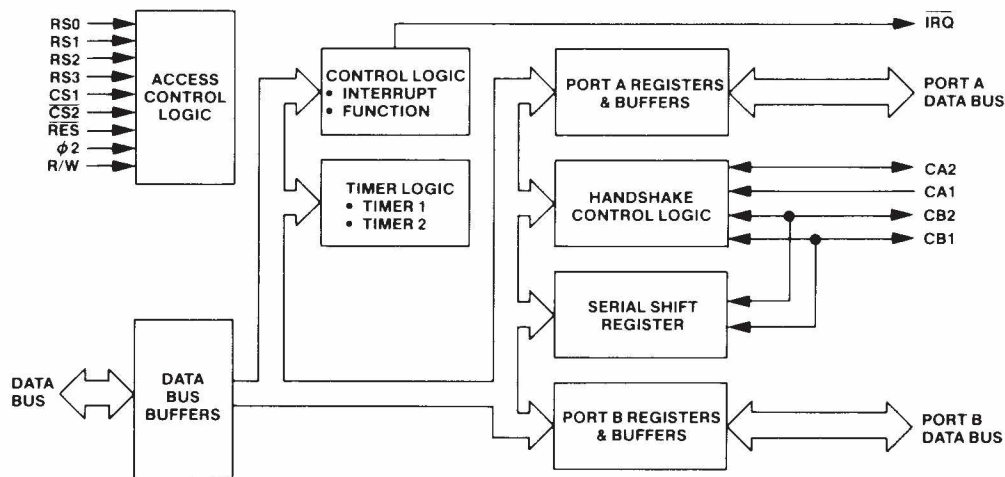
- Enhanced "handshake" feature
- Latched input/output registers on both I/O ports
- Programmable data direction registers
- Four operating frequencies — 1, 2, 3, and 4 MHz
- TTL compatible I/O peripheral lines
- Single +5 volts power supply
- Available in 40-pin DIP or 44-pin PLCC package

**Contact factory for complete data sheet.**

### Product Description

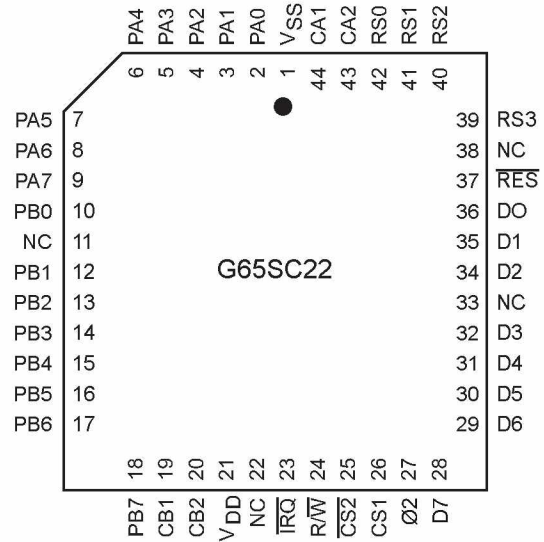
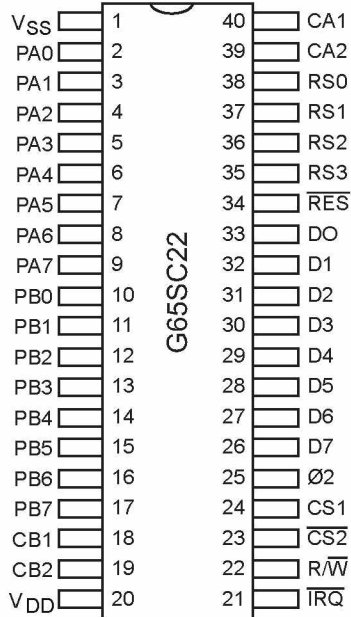
The CMD G65SC22 Versatile Interface Adapter (VIA) is a flexible I/O device for use with the CMD G65SCXXX series 8-bit microprocessor family. The G65SC22 includes functions for programmed control of up to two peripheral devices (Ports A and B). Two program controlled 8-bit bidirectional peripheral I/O ports allow direct interfacing between the microprocessor and selected peripheral units. Each port has input data latching capacity. Two programmable data direction registers (A and B) allow selection of data direction (input or output) on a individual line basis. Also provided are two programmable 16-bit interval timer/counters with latches. Timer 1 may be operated in a one-shot interrupt mode with interrupts on each count-to-zero, or in a free-run mode with a continuous series of evenly spaced interrupts. Timer 2 functions as both an interval and pulse counter. Serial data transfers are provided by a serial-to-parallel/parallel-to-serial shift register. Application versatility is further increased by various control registers, including — an interrupt flag register, an interrupt enable register and two function control registers.

### Block Diagram





**Pin Assignments**



**Ordering Information**

**Example:**

**G65SC22 P I -2**

**Product Identification Number**

**Package**

- P — Plastic DIP (40)
- PE — PLCC (44)

**Temperature/Processing**

- I — -40°C to +85°C, ±5% P.S. Tol.

**Performance Designator**

Designators selected for speed and power specifications

- 1 1MHz      —3 3MHz
- 2 2MHz      —4 4MHz