

G6849 series

Quadrant type

Features

- Photosensitive area
G6849 : ϕ 2 mm quadrant element
G6849-01: ϕ 1 mm quadrant element
- Low noise
- High reliability

Applications

- Light spot position detection
- Measurement equipment

Structure

Parameter	G6849	G6849-01	Unit
Photosensitive area	ϕ 2/quadrant	ϕ 1/quadrant	mm
Number of elements	4		-
Package	TO-5		-
Window material	Borosilicate glass		-

Absolute maximum ratings (Ta=25 °C)

Parameter	Symbol	Value	Unit
Reverse voltage	VR	5	V
Operating temperature	Topr	-40 to +85	°C
Storage temperature	Tstg	-55 to +125	°C
Soldering condition	-	260 °C or less, within 10 s	-

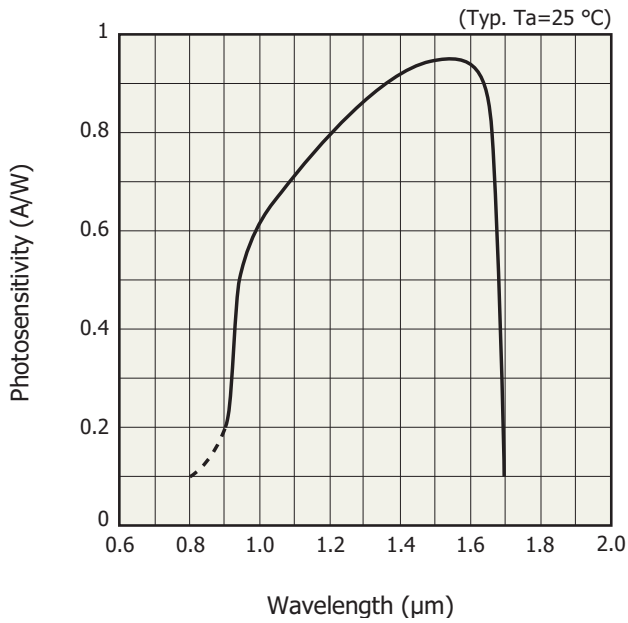
Note: Exceeding the absolute maximum ratings even momentarily may cause a drop in product quality. Always be sure to use the product within the absolute maximum ratings.

Electrical and optical characteristics (Ta=25 °C, per 1 element)

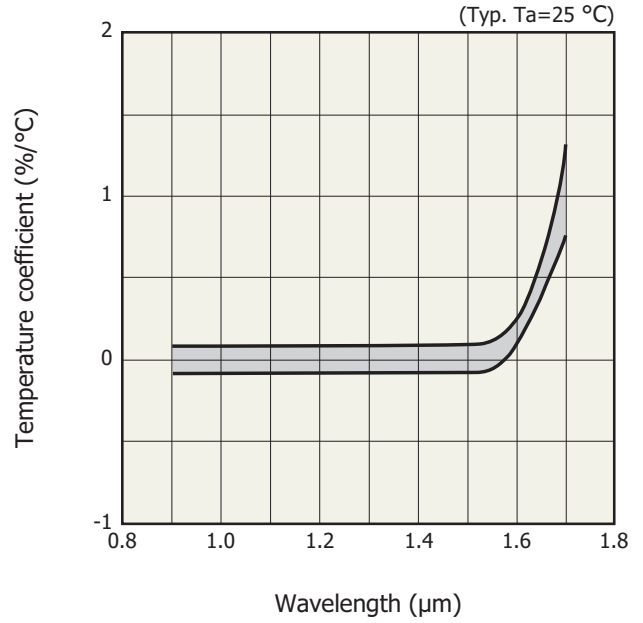
Parameter	Symbol	Condition	G6849			G6849-01			Unit
			Min.	Typ.	Max.	Min.	Typ.	Max.	
Spectral response range	λ		-	0.9 to 1.7	-	-	0.9 to 1.7	-	μ m
Peak sensitivity wavelength	λ_p		-	1.55	-	-	1.55	-	μ m
Photosensitivity	S	$\lambda=1.3 \mu$ m	0.8	0.9	-	0.8	0.9	-	A/W
		$\lambda=1.55 \mu$ m	0.85	0.95	-	0.85	0.95	-	
Dark current	ID	VR=1 V	-	0.5	5	-	0.15	1.5	nA
Temperature coefficient of ID	ΔTID	VR=1 V	-	1.09	-	-	1.09	-	times/°C
Cutoff frequency	fc	VR=1 V, RL=50 Ω $\lambda=1.3 \mu$ m, -3 dB	15	30	-	80	120	-	MHz
Terminal capacitance	Ct	VR=1 V, f=1 MHz	-	100	160	-	25	40	pF
Shunt resistance	Rsh	VR=10 mV	10	50	-	80	200	-	M Ω
Detectivity	D*	$\lambda=\lambda_p$	1×10^{12}	5×10^{12}	-	1×10^{12}	5×10^{12}	-	cm \cdot Hz ^{1/2} /W
Noise equivalent power	NEP	$\lambda=\lambda_p$	-	2×10^{-14}	6×10^{-14}	-	1×10^{-14}	4×10^{-14}	W/Hz ^{1/2}

The G6849 series may be damaged by Electro Static Discharge. Be carefull when using the G6849 series.

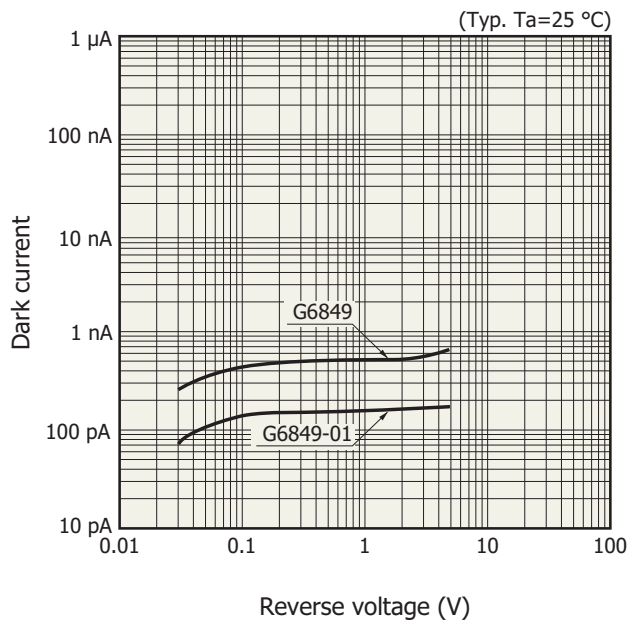
Spectral response



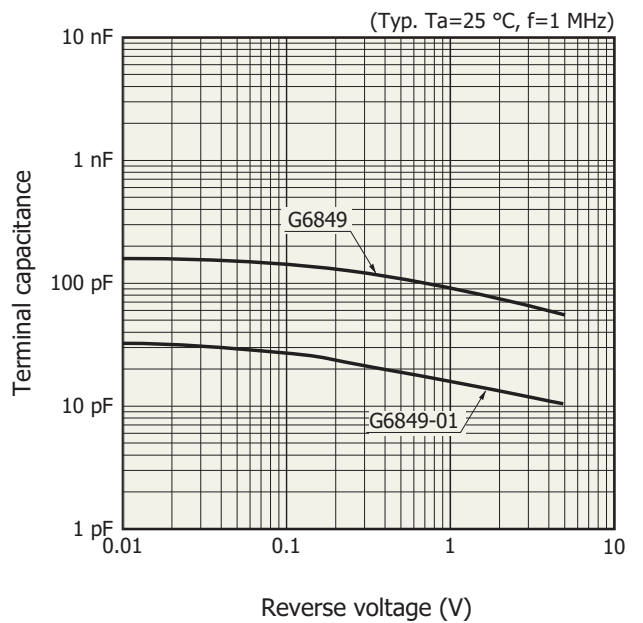
Photosensitivity temperature characteristics



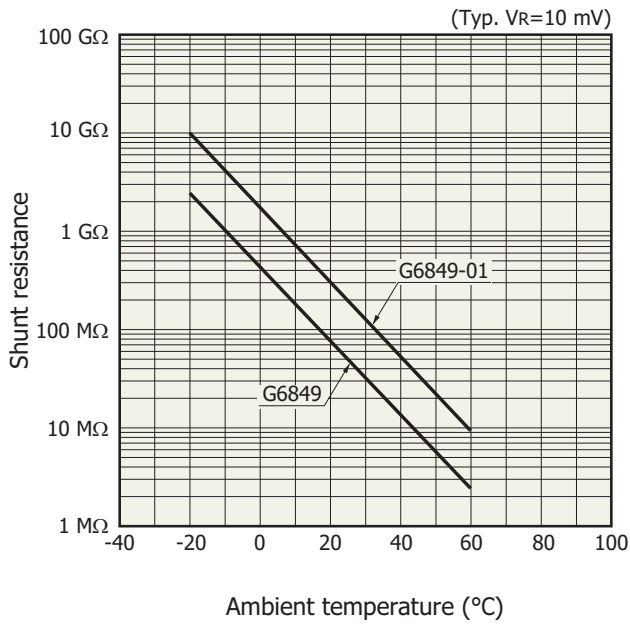
Dark current vs. reverse voltage



Terminal capacitance vs. reverse voltage



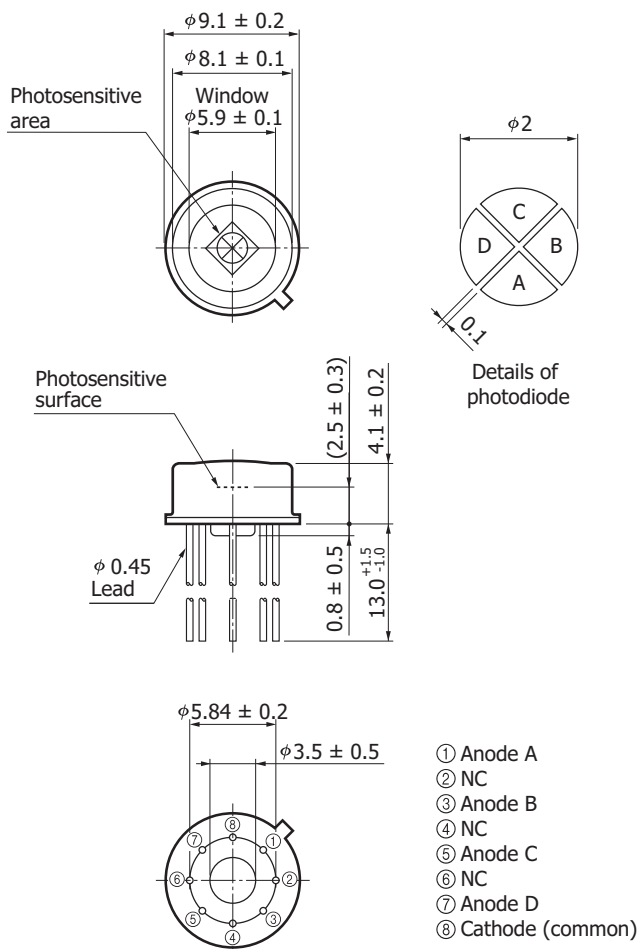
Shunt resistance vs. ambient temperature



KMIRB0014EA

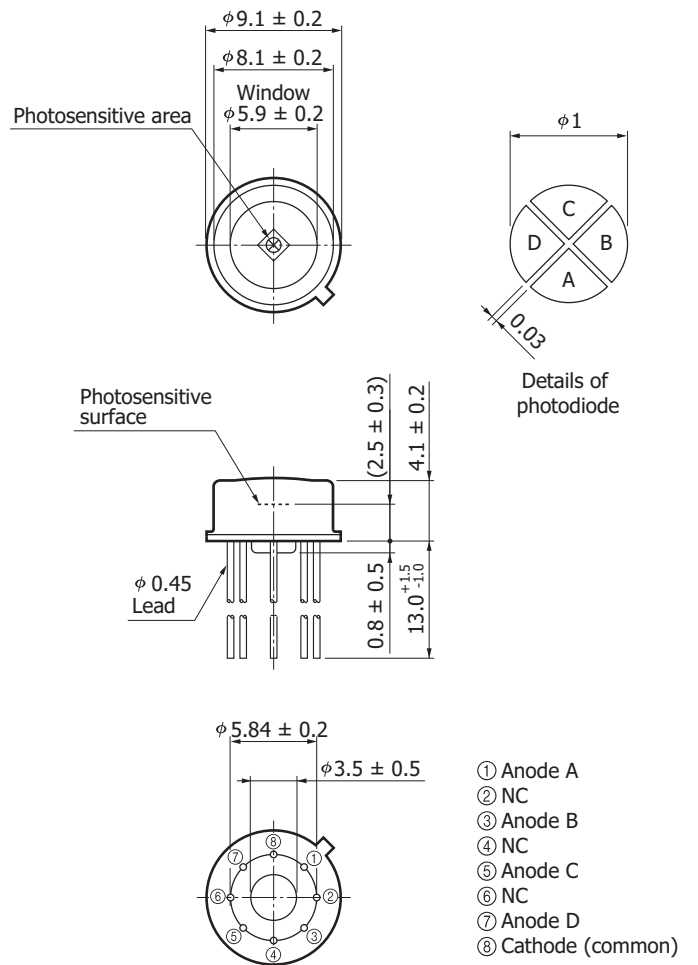
Dimensional outlines (unit: mm)

G6849



KIRDA0059EB

G6849-01



KIRDA0143EB

Related information

www.hamamatsu.com/sp/ssd/doc_en.html

■ Precautions

- Notice
- Metal, ceramic, plastic products/Precautions

■ Technical information

- Infrared detector/Technical information

Information described in this material is current as of October, 2013.

Product specifications are subject to change without prior notice due to improvements or other reasons. This document has been carefully prepared and the information contained is believed to be accurate. In rare cases, however, there may be inaccuracies such as text errors. Before using these products, always contact us for the delivery specification sheet to check the latest specifications.

The product warranty is valid for one year after delivery and is limited to product repair or replacement for defects discovered and reported to us within that one year period. However, even if within the warranty period we accept absolutely no liability for any loss caused by natural disasters or improper product use.

Copying or reprinting the contents described in this material in whole or in part is prohibited without our prior permission.

HAMAMATSU

www.hamamatsu.com

HAMAMATSU PHOTONICS K.K., Solid State Division

1126-1 Ichino-cho, Higashi-ku, Hamamatsu City, 435-8558 Japan, Telephone: (81) 53-434-3311, Fax: (81) 53-434-5184

U.S.A.: Hamamatsu Corporation: 360 Foothill Road, P.O.Box 6910, Bridgewater, N.J. 08807-0910, U.S.A., Telephone: (1) 908-231-0960, Fax: (1) 908-231-1218

Germany: Hamamatsu Photonics Deutschland GmbH: Arzbergerstr. 10, D-82211 Herrsching am Ammersee, Germany, Telephone: (49) 8152-375-0, Fax: (49) 8152-265-8

France: Hamamatsu Photonics France S.A.R.L.: 19, Rue du Saule Trapu, Parc du Moulin de Massy, 91882 Massy Cedex, France, Telephone: 33-(1) 69 53 71 00, Fax: 33-(1) 69 53 71 10

United Kingdom: Hamamatsu Photonics UK Limited: 2 Howard Court, 10 Tewin Road, Welwyn Garden City, Hertfordshire AL7 1BW, United Kingdom, Telephone: (44) 1707-294888, Fax: (44) 1707-325777

North Europe: Hamamatsu Photonics Norden AB: Thorshamnsgatan 35 16440 Kista, Sweden, Telephone: (46) 8-509-031-00, Fax: (46) 8-509-031-01

Italy: Hamamatsu Photonics Italia S.R.L.: Strada della Moia, 1 int. 6, 20020 Arese, (Milano), Italy, Telephone: (39) 02-935-81-733, Fax: (39) 02-935-81-741

China: Hamamatsu Photonics (China) Co., Ltd.: 1201 Tower B, Jiaming Center, No.27 Dongsanhuan Beilu, Chaoyang District, Beijing 100020, China, Telephone: (86) 10-6586-6006, Fax: (86) 10-6586-2866