

## Octave Remote Resistor-Programmable Temperature Switches

### Features

- 8 Remote Temperature Switches Set by Thermistor and External Resistors
- 4 Open-Drain Active Low Output Stages for each 2 Temperature switches
- Selectable External/Internal Trigger Voltages Setting
- Built-in Hysteresis Temperature When Using Internal Setting Trigger Voltage
- Guaranteed Output Signal Valid to  $V_{CC} = 0.8V$
- TQFN3X3-16 Packages

### General Description

The G717 are fully integrated, resistor programmable octave remote temperature switches with selectable external/internal trigger voltages setting. The thresholds are set by external resistors and thermistor with negative temperature coefficient. The G717 provides 4 open-drain, active low, over-temperature outputs for each 2 sensors. These switches operate with a +2.7V to +5.5V single supply.

The G717 are available in 16-pin TQFN3X3-16 packages.

### Applications

- $\mu P$  Temperature Monitoring in High-Speed Computers
- Temperature Control
- Temperature Alarms
- Fan Control
- Automotive

### Ordering Information

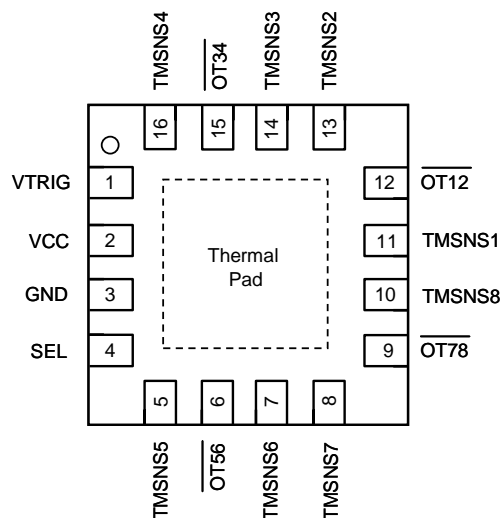
ORDER NUMBER	MARKING	TEMP. RANGE	PACKAGE (Green)
G717R41U	717	-40°C to 125°C	TQFN3X3-16

Note: R4: TQFN3X3-16

1: Bonding Code

U : Tape & Reel

### Pin Configuration



**G717 TQFN3X3-16**

Note: Recommend connecting the Thermal Pad to the VSS for excellent power dissipation.