

ART. G792

CYLINDRICAL HANDWHEEL WITH SMOOTH HOLE INSERT

MATERIAL:

Reinforced polyamide.
Oils and greases resistant.

SURFACE:

Satin.

COLOUR:

Black (RAL 9011).

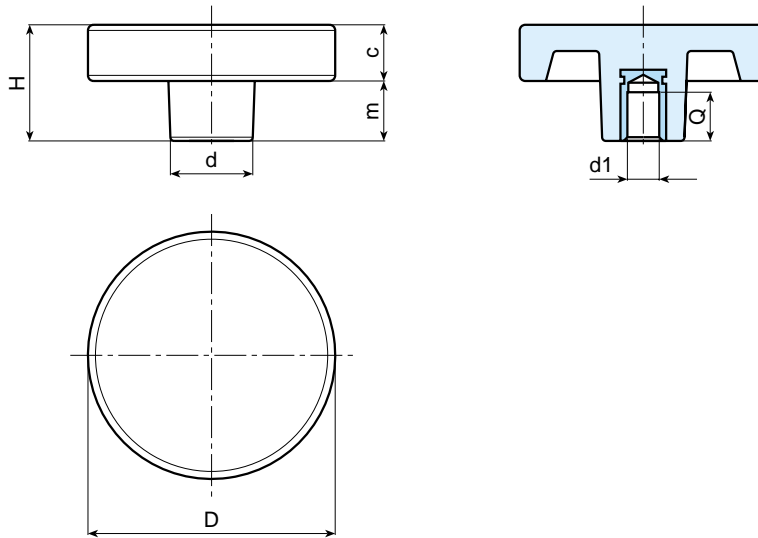
MAIN INSERT:

Zinc plated steel blind bored bush with H7 tolerance.



SPECIAL REQUESTS:

- It is possible to supply the inserts with d1 diameter by customer design, on request and for quantities.
- It is possible to supply the inserts in different materials, on request and for quantities.
- It is possible to supply colours as shown in the table at page 22, on request and for quantities.



Art.	D	H	d	c	m	dm	d1 H7	Q	Weight (gr)
G792-50 D08	50	30,5	22	15	15	12	8	20	62
G792-66 D05	65	30	22	15	15	12	05 H9	20	80
G792-66 D12	65	30	22	15	15	12	12	20	75

It's possible to increase the hole, by boring, until **dm**.

LOCKING HANDWHEELS