

300mA High PSRR, Low Noise, LDO Regulators

Features

- Low, 100 μ A No-Load Supply Current
- Guaranteed 300mA Output Current
- Dropout Voltage is 400mV @ 300mA Load
- PSRR=45dB (f =10kHz ,300mA Load)
- Over-Temperature Protection and Short-Circuit Protection
- Adjustable Mode: from 0.8V to 5.50V
- Max. Supply Current in Shutdown Mode < 1 μ A
- Stable with low cost ceramic capacitors

Applications

- Notebook Computers
- Cellular Phones
- PDAs
- Digital still Camera and Video Recorders
- Hand-Held Devices
- Audio Codec

General Description

The G918 series is a low supply current, high PSRR, low noise, and low dropout linear regulator that comes in a space saving SOT-23-5 package. The supply current at no-load is 100 μ A. In the shutdown mode, the maximum supply current is less than 1 μ A. Operating voltage range is from 2.5V to 6.0V. The over-current protection limit is set at 750mA typical. An over-temperature protection circuit is built-in in the Device to prevent thermal overload. These power saving features make the G918 series ideal for use in the battery-powered applications such as notebook computers, cellular phones, and PDA's.

The G918 has one modes of operation. When an output other than the preset value is needed, two external resistors should be used as a voltage divider. The output voltage is then adjusted by the resistor ratio.

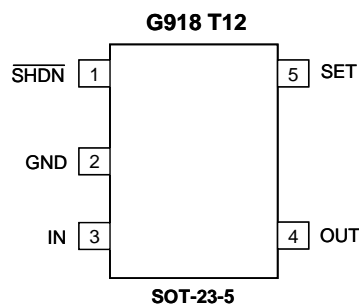
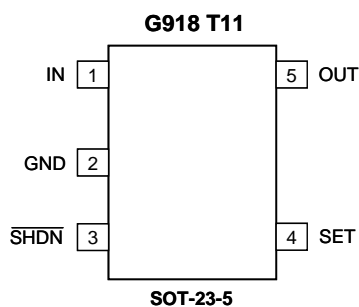
Ordering Information

ORDER NUMBER	MARKING	VOLTAGE	TEMP. RANGE	PACKAGE (Green)
G918T11U	918Ax	Adjustable	-40°C~ +85°C	SOT-23-5
G918T12U	918Bx	Adjustable	-40°C~ +85°C	SOT-23-5

For other output voltage, please contact us at sales@gmt.com.tw

Note: T1: SOT-23-5
 1 & 2: Bonding Code
 U: Tape & Reel

Pin Configuration



Typical Application Circuit

