

300mA High PSRR LDO Regulators

Features

- Low, 90 μ A No-Load Supply Current
- Guaranteed 300mA Output Current
- Dropout Voltage is 200mV @ 150mA Load
- PSRR=65dB @ 120Hz
- Over-Temperature Protection and Short-Circuit Protection
- Two Modes of Operation ----
 Fixed Mode: 1.50V~5.00V
 Adjustable Mode: from 1.25V to 5.50V
- Max. Supply Current in Shutdown Mode < 1 μ A
- Low Output Noise at 238 μ V_{RMS}
- Stable with low cost ceramic capacitors

Applications

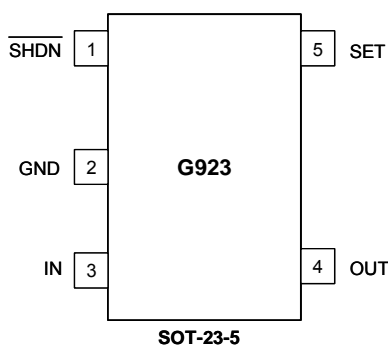
- Notebook Computers
- Cellular Phones
- PDAs
- Digital still Camera and Video Recorders
- Hand-Held Devices
- Audio Codec

General Description

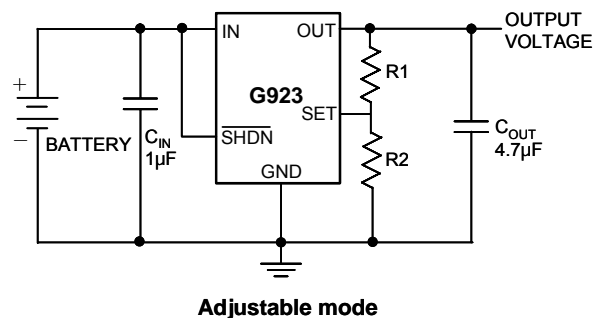
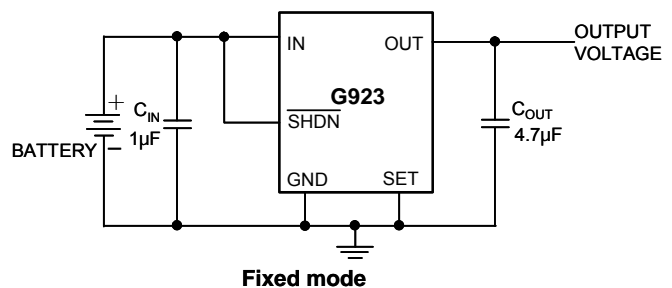
The G923 is a low supply current, high PSRR, and low dropout linear regulator that comes in a space saving SOT-23-5 package. The supply current at no-load is 90 μ A. In the shutdown mode, the maximum supply current is less than 1 μ A. Operating voltage range of the G923 is from 2.50V to 5.50V. The over-current protection limit is set at 550mA typical. An over-temperature protection circuit is built-in in the G923 to prevent thermal overload. These power saving features make the G923 ideal for use in the battery-powered applications such as notebook computers, cellular phones, and PDA's.

The G923 has two modes of operation. When the SET pin is connected to ground, its output is a pre-set value: 1.50V~5.00V. There is no external component needed to decide the output voltage. When an output other than the preset value is needed, two external resistors should be used as a voltage divider. The output voltage is then decided by the resistor ratio. The G923 comes in a space saving SOT-23-5 package.

Pin Configuration



Typical Application Circuit



**Ordering Information**

ORDER NUMBER (Pb free/Green)	MARKING	VOLTAGE	TEMP. RANGE	PACKAGE
G923-330T1Uf	92AUx	3.30V	-40°C~ +85°C	SOT-23-5

For other output voltage, please contact us at sales@gmt.com.tw

Note: T1: SOT-23-5

U: Tape & Reel

Selector Guide

ORDER NUMBER (Pb free/Green)	OUTPUT VOLTAGE (V)	MARKING
G923-150T1Uf	1.50	92AAx
G923-160T1Uf	1.60	92ABx
G923-170T1Uf	1.70	92ACx
G923-180T1Uf	1.80	92ADx
G923-190T1Uf	1.90	92AEx
G923-200T1Uf	2.00	92AFx
G923-210T1Uf	2.10	92AGx
G923-220T1Uf	2.20	92AHx
G923-230T1Uf	2.30	92Aix
G923-240T1Uf	2.40	92AJx
G923-250T1Uf	2.50	92AKx
G923-260T1Uf	2.60	92ALx
G923-270T1Uf	2.70	92AMx
G923-280T1Uf	2.80	92ANx
G923-285T1Uf	2.85	92AOx
G923-290T1Uf	2.90	92APx
G923-300T1Uf	3.00	92AQx
G923-310T1Uf	3.10	92ARx
G923-315T1Uf	3.15	92ASx
G923-320T1Uf	3.20	92ATx
G923-330T1Uf	3.30	92AUx
G923-340T1Uf	3.40	92AVx
G923-350T1Uf	3.50	92AWx
G923-360T1Uf	3.60	92AXx
G923-370T1Uf	3.70	92AYx
G923-380T1Uf	3.80	92AZx
G923-390T1Uf	3.90	92BAx
G923-400T1Uf	4.00	92BBx
G923-410T1Uf	4.10	92BCx
G923-420T1Uf	4.20	92BDx
G923-430T1Uf	4.30	92BEx
G923-440T1Uf	4.40	92BFx
G923-450T1Uf	4.50	92BGx
G923-460T1Uf	4.60	92BHx
G923-470T1Uf	4.70	92Blx
G923-475T1Uf	4.75	92BJx
G923-480T1Uf	4.80	92BKx
G923-490T1Uf	4.90	92BLx
G923-500T1Uf	5.00	92BMx