

Dual, 300mA Low-Dropout Linear Regulators

Features

- Two Low-Dropout-Voltage Regulators
- 300mA Output Current for Each LDO
- Independent Enable Control
- Dropout Voltage is 100mV@ 100mA Load
- Over-Temperature Protection and Short-Circuit Protection
- 1.2V to 3.3V Factory-Preset Output
- Max. Supply Current in Shutdown Mode < 1μA
- Small Ceramic Output Capacitors
- 400Ω V_{OUT} Discharge Resistance in Shutdown

Applications

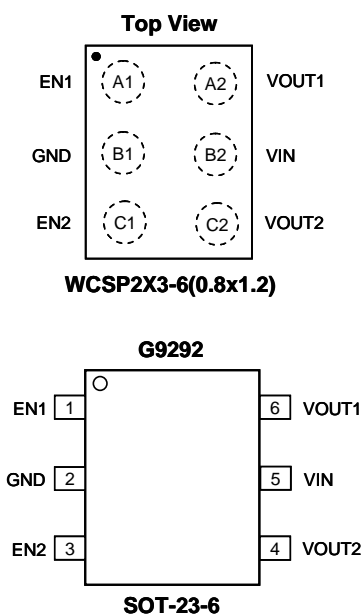
- Notebook Computers
- Cellular Phones
- PDAs
- Digital still Camera and Video Recorders
- Hand-Held Devices
- Bar Code Scanners

General Description

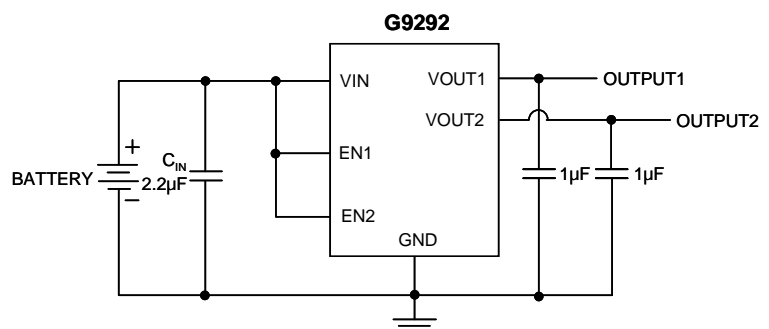
The G9292 is a dual, low supply current, low dropout linear regulator. The supply current at no-load is 60μA. In the shutdown mode, the maximum supply current is less than 1μA. Output voltage range of the G9292 is from 1.2V to 3.3V. The over-current protection limit is set at 500mA typical. An over-temperature protection circuit is built-in in the G9292 to prevent thermal overload. These power saving features make the G9292 ideal for use in the battery-powered applications such as notebook computers, cellular phones, and PDA's.

These devices feature a shutdown function and are offered in active low with auto discharge. The G9292 comes in a space saving WLCSP2X3-6 (0.8x1.2) and SOT-23-6 package.

Pin Configuration



Typical Application Circuit



Ordering Information

ORDER NUMBER	MARKING	VOUT1	VOUT2	TEMP. RANGE	PACKAGE (Green)
G9292EHBF1U	922 EHx	1.2V	1.8V	-40°C to +85°C	WLCSP2X3-6
G9292HRBF1U	922 HRx	1.8V	3.3V	-40°C to +85°C	WLCSP2X3-6
G9292HHBF1U	922 HHx	1.8V	1.8V	-40°C to +85°C	WLCSP2X3-6
G9292NRBF1U	922 NRx	2.8V	3.3V	-40°C to +85°C	WLCSP2X3-6
G9292ORBF1U	922 ORx	2.85V	3.3V	-40°C to +85°C	WLCSP2X3-6
G9292OHBF1U	922 OHx	2.85V	1.8V	-40°C to +85°C	WLCSP2X3-6
G9292OObf1U	922 OOx	2.85V	2.85V	-40°C to +85°C	WLCSP2X3-6
G9292QHBF1U	922 QHx	3.0V	1.8V	-40°C to +85°C	WLCSP2X3-6
G9292QQBF1U	922 QQx	3.0V	3.0V	-40°C to +85°C	WLCSP2X3-6
G9292ROBF1U	922 ROx	3.3V	2.85V	-40°C to +85°C	WLCSP2X3-6
G9292RRBF1U	922 RRx	3.3V	3.3V	-40°C to +85°C	WLCSP2X3-6
G9292WRBF1U	922 WRx	2.6V	3.3V	-40°C to +85°C	WLCSP2X3-6
G9292EHTB1U	9DEHx	1.2V	1.8V	-40°C to +85°C	SOT-23-6
G9292HRTB1U	9DHRx	1.8V	3.3V	-40°C to +85°C	SOT-23-6
G9292QHTB1U	9DQHx	3.0V	1.8V	-40°C to +85°C	SOT-23-6
G9292ROTB1U	9DROx	3.3V	2.85V	-40°C to +85°C	SOT-23-6
G9292RRTB1U	9DRRx	3.3V	3.3V	-40°C to +85°C	SOT-23-6
G9292WRTB1U	9DWRx	2.6V	3.3V	-40°C to +85°C	SOT-23-6

Note:BF: WLCSP2X3-6 TB: SOT-23-6

1: Bonding Code

U : Tape & Reel