

Dual, 300mA Low-Dropout Linear Regulators

Features

- Two Low-Dropout-Voltage Regulators
- 300mA Output Current for Each LDO
- Independent Enable Control
- Dropout Voltage is 100mV@ 100mA Load
- Over-Temperature Protection and Short-Circuit Protection
- 1.2V to 3.3V Factory-Preset Output
- Max. Supply Current in Shutdown Mode < 1μA
- Small Ceramic Output Capacitors
- 400Ω V_{OUT} Discharge Resistance in Shutdown

Applications

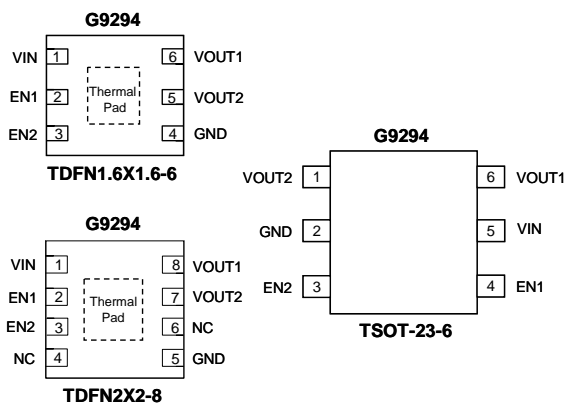
- Notebook Computers
- Cellular Phones
- PDAs
- Digital still Camera and Video Recorders
- Hand-Held Devices
- Bar Code Scanners

General Description

The G9294 is a dual, low supply current, low dropout linear regulator that comes in a space saving TSOT-23-6 & TDFN1.6X1.6-6 and TDFN2X2-8 package. The supply current at no-load is 60μA. In the shutdown mode, the maximum supply current is less than 1μA. Output voltage range of the G9294 is from 1.2V to 3.3V. The over-current protection limit is set at 500mA typical. An over-temperature protection circuit is built-in in the G9294 to prevent thermal overload. These power saving features make the G9294 ideal for use in the battery-powered applications such as notebook computers, cellular phones, and PDA's.

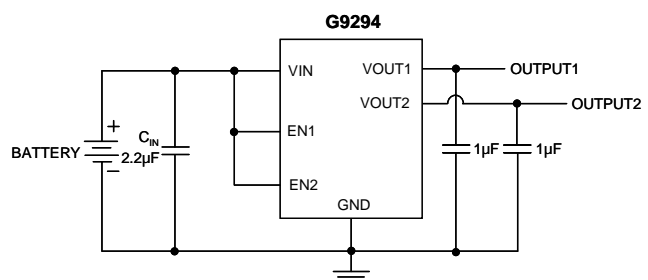
These devices feature a shutdown function and are offered in active low with auto discharge. The G9294 comes in a space saving TSOT-23-6, TDFN1.6X1.6-6 and TDFN2X2-8 package.

Pin Configuration



Note: Recommend connecting the Thermal Pad to the Ground for excellent power dissipation.

Typical Application Circuit



Ordering Information

ORDER NUMBER	MARKING	VOUT1	VOUT2	TEMP. RANGE	PACKAGE (Green)
G9294NNTP1U	9TNNx	2.8V	2.8V	-40°C~+85°C	TSOT-23-6
G9294ENRR1U	92A xx	1.2V	2.8V	-40°C~+85°C	TDFN1.6X1.6-6
G9294ERRR1U	92A lxx	1.2V	3.3V	-40°C~+85°C	TDFN1.6X1.6-6
G9294ZNRR1U	92A Axx	1.3V	2.8V	-40°C~+85°C	TDFN1.6X1.6-6
G9294FFRR1U	92B xx	1.5V	1.5V	-40°C~+85°C	TDFN1.6X1.6-6
G9294FLRR1U	92A Hxx	1.5V	2.5V	-40°C~+85°C	TDFN1.6X1.6-6
G9294FNRR1U	92C xx	1.5V	2.8V	-40°C~+85°C	TDFN1.6X1.6-6
G9294HWRR1U	92D xx	1.8V	2.6V	-40°C~+85°C	TDFN1.6X1.6-6
G9294HRRR1U	92E xx	1.8V	3.3V	-40°C~+85°C	TDFN1.6X1.6-6
G9294IFRR1U	92G xx	1.85V	1.5V	-40°C~+85°C	TDFN1.6X1.6-6
G9294IIRR1U	92H xx	1.85V	1.85V	-40°C~+85°C	TDFN1.6X1.6-6
G9294MKRR1U	92A Lxx	2.1V	2.0V	-40°C~+85°C	TDFN1.6X1.6-6
G9294MLRR1U	92A Jxx	2.1V	2.5V	-40°C~+85°C	TDFN1.6X1.6-6
G9294LHRR1U	92I xx	2.5V	1.8V	-40°C~+85°C	TDFN1.6X1.6-6
G9294LNRR1U	92J xx	2.5V	2.8V	-40°C~+85°C	TDFN1.6X1.6-6
G9294LORR1U	92K xx	2.5V	2.85V	-40°C~+85°C	TDFN1.6X1.6-6
G9294LQRR1U	92L xx	2.5V	3V	-40°C~+85°C	TDFN1.6X1.6-6
G9294LRRR1U	92M xx	2.5V	3.3V	-40°C~+85°C	TDFN1.6X1.6-6
G9294WORR1U	92A Dxx	2.6V	2.85V	-40°C~+85°C	TDFN1.6X1.6-6
G9294WRRR1U	92A Gxx	2.6V	3.3V	-40°C~+85°C	TDFN1.6X1.6-6
G9294NGRR1U	92A Bxx	2.8V	1.6V	-40°C~+85°C	TDFN1.6X1.6-6
G9294NHRR1U	92N xx	2.8V	1.8V	-40°C~+85°C	TDFN1.6X1.6-6
G9294NNRR1U	92O xx	2.8V	2.8V	-40°C~+85°C	TDFN1.6X1.6-6
G9294NORR1U	92Z Mxx	2.8V	2.85V	-40°C~+85°C	TDFN1.6X1.6-6
G9294NQRR1U	92P xx	2.8V	3V	-40°C~+85°C	TDFN1.6X1.6-6
G9294NRRR1U	92Q xx	2.8V	3.3V	-40°C~+85°C	TDFN1.6X1.6-6



Ordering Information (continued)

ORDER NUMBER	MARKING	VOUT1	VOUT2	TEMP. RANGE	PACKAGE (Green)
G9294OHRR1U	92R xx	2.85V	1.8V	-40°C~+85°C	TDFN1.6X1.6-6
G9294OIRRR1U	92S xx	2.85V	1.85V	-40°C~+85°C	TDFN1.6X1.6-6
G9294OORR1U	92T xx	2.85V	2.85V	-40°C~+85°C	TDFN1.6X1.6-6
G9294QHRR1U	92U xx	3V	1.8V	-40°C~+85°C	TDFN1.6X1.6-6
G9294QORR1U	92A Kxx	3V	2.85V	-40°C~+85°C	TDFN1.6X1.6-6
G9294QQRR1U	92V xx	3V	3V	-40°C~+85°C	TDFN1.6X1.6-6
G9294YNRR1U	92W xx	3.15V	2.8V	-40°C~+85°C	TDFN1.6X1.6-6
G9294RFRR1U	92A Cxx	3.3V	1.5V	-40°C~+85°C	TDFN1.6X1.6-6
G9294RORR1U	92F xx	3.3V	2.85V	-40°C~+85°C	TDFN1.6X1.6-6
G9294RQRR1U	92X xx	3.3V	3V	-40°C~+85°C	TDFN1.6X1.6-6
G9294RXRR1U	92Y xx	3.3V	3.1V	-40°C~+85°C	TDFN1.6X1.6-6
G9294RRRR1U	92Z xx	3.3V	3.3V	-40°C~+85°C	TDFN1.6X1.6-6
G9294ERRC1U	92ER	1.2V	3.3V	-40°C~+85°C	TDFN2X2-8

Note: TP: TSOT-23-6 RR: TDFN1.6X1.6-6 RC: TDFN2X2-8

1: Bonding Code

U : Tape & Reel