

SERIES I THERMISTORS

Thermally Conductive Epoxy Coating

Ø 2.4 mm Maximum Diameter

32 AWG Alloy 180 Leads

Four Temperature Tolerance Classifications Available

RoHS Compliant

BetaCURVE series I thermistors are small epoxy coated devices with solid tin-plated lead wires. The series I offers a choice of precision temperature tolerance classifications for a wide variety of customer applications, such as temperature measurements, temperature indication, temperature control, and thermal compensation.

FEATURES

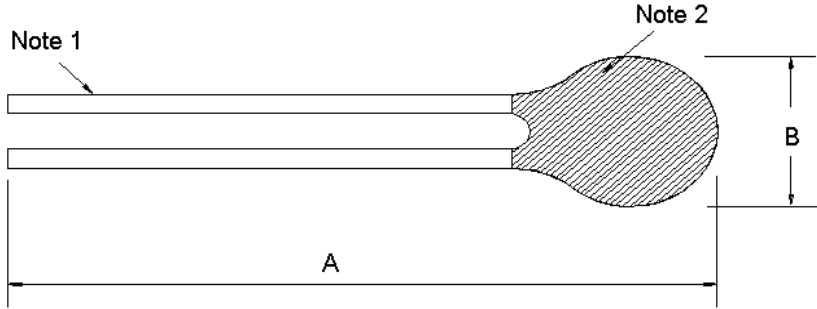
- Interchangeability
- Proven stability and reliability
- Rapid time response
- Alloy lead wires for reduced thermal conductivity ("stem effect")
- Thermally conductive epoxy coating
- Temperature range -40°C to +125°C
- Custom probe assemblies available

APPLICATIONS

- Temperature sensing, control and compensation
- Tight tolerance instrumentation
- General instrumentation applications

SERIES I THERMISTORS

MECHANICAL DETAILS



DIMENSIONS

A	B
76 ±2 mm	2.4 mm max.

Note 1: 32 AWG Solid Alloy 180 Leads

Note 2: Stycast 2850ft Epoxy

SERIES I THERMISTORS

PRODUCT DETAILS

Part Number	Color Coding	Resistance [Ω] @ +25°C	Tolerance from 0 to +70°C	Alpha Value @ +25°C	Beta Value 25/85	Beta Tolerance	Dissipation Constant in Still Air @+25°C	Time Response (Stirred Oil)
GA2.2K3A1A	Brown	2,252	±0.1°C	-4.39 %/ °C	3976	±0.5%	0.75 mW/°C	<1 second
GA2.2K3A1B			±0.2°C					
GA2.2K3A1C			±0.5°C					
GA2.2K3A1D			±1.0°C					
GA3K3A1A	Red	3,000	±0.1°C	-4.39 %/ °C	3976	±0.5%	0.75 mW/°C	<1 second
GA3K3A1B			±0.2°C					
GA3K3A1C			±0.5°C					
GA3K3A1D			±1.0°C					
GA5K3A1A	Orange	5,000	±0.1°C	-4.39 %/ °C	3976	±0.5%	0.75 mW/°C	<1 second
GA5K3A1B			±0.2°C					
GA5K3A1C			±0.5°C					
GA5K3A1D			±1.0°C					
GA10K3A1A	Yellow	10,000	±0.1°C	-4.39 %/ °C	3976	±0.5%	0.75 mW/°C	<1 second
GA10K3A1B			±0.2°C					
GA10K3A1C			±0.5°C					
GA10K3A1D			±1.0°C					
GA10K4A1A	Black	10,000	±0.1°C	-4.04 %/ °C	3694	±0.5%	0.75 mW/°C	<1 second
GA10K4A1B			±0.2°C					
GA10K4A1C			±0.5°C					
GA10K4A1D			±1.0°C					
GA30K5A1A	White	30,000	±0.1°C	-4.30 %/ °C	3942	±0.5%	0.75 mW/°C	<1 second
GA30K5A1B			±0.2°C					
GA30K5A1C			±0.5°C					
GA30K5A1D			±1.0°C					
GA30K6A1A	Green	30,000	±0.1°C	-4.68 %/ °C	4261	±0.5%	0.75 mW/°C	<1 second
GA30K6A1B			±0.2°C					
GA30K6A1C			±0.5°C					
GA30K6A1D			±1.0°C					
GA50K6A1A	Blue	50,000	±0.1°C	-4.68 %/ °C	4261	±0.5%	0.75 mW/°C	<1 second
GA50K6A1B			±0.2°C					
GA50K6A1C			±0.5°C					
GA50K6A1D			±1.0°C					
GA100K6A1A	Violet	100,000	±0.1°C	-4.68 %/ °C	4261	±0.5%	0.75 mW/°C	<1 second
GA100K6A1B			±0.2°C					
GA100K6A1C			±0.5°C					
GA100K6A1D			±1.0°C					

SERIES I THERMISTORS

NORTH AMERICA

Tel +1 800 522 6752
customercare.ando@te.com

EUROPE

Tel +31 73 624 6999
customercare.glw@te.com

ASIA

Tel +86 0400 820 6015
customercare.chdu@te.com

te.com/sensorsolutions

BetaCurve, TE Connectivity, TE, and the TE connectivity (logo) are trademarks of the TE Connectivity Ltd. family of companies. Other logos, products and/or company names referred to herein may be trademarks of their respective owners.

The information given herein, including drawings, illustrations and schematics which are intended for illustration purposes only, is believed to be reliable. However, TE Connectivity makes no warranties as to its accuracy or completeness and disclaims any liability in connection with its use. TE Connectivity's obligations shall only be as set forth in TE Connectivity's Standard Terms and Conditions of Sale for this product and in no case will TE Connectivity be liable for any incidental, indirect or consequential damages arising out of the sale, resale, use or misuse of the product. Users of TE Connectivity products should make their own evaluation to determine the suitability of each such product for the specific application.

© 2018 TE Connectivity Ltd. family of companies All Rights Reserved.