



**DC COMPONENTS CO., LTD.**  
RECTIFIER SPECIALISTS

**GBJ10A  
THRU  
GBJ10M**

**TECHNICAL SPECIFICATIONS OF GLASS PASSIVATED BRIDGE RECTIFIER**

**VOLTAGE RANGE - 50 to 1000 Volts**

**CURRENT - 10 Amperes**

**FEATURES**

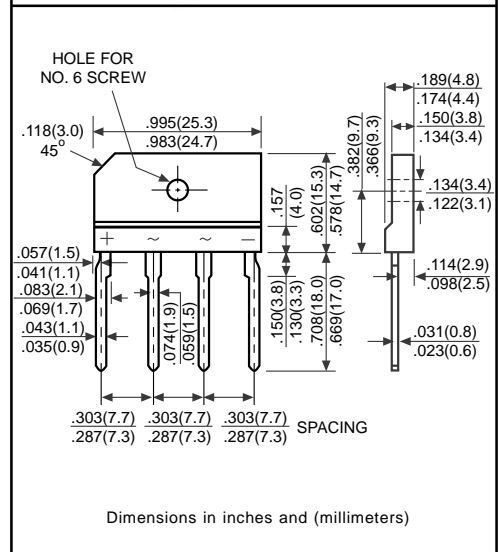
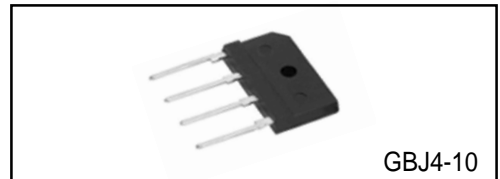
- \* Ideal for printed circuit board
- \* Surge overload rating: 220 Amperes peak
- \* Glass passivated junction

**MECHANICAL DATA**

- \* Case: Molded plastic
- \* Epoxy: UL 94V-0 rate flame retardant
- \* Terminals: MIL-STD-202E, Method 208 guaranteed
- \* Polarity: Symbols molded or marked on body
- \* Mounting position: Any
- \* Weight: 4.6 grams

**MAXIMUM RATINGS AND ELECTRICAL CHARACTERISTICS**

Ratings at 25°C ambient temperature unless otherwise specified.  
Single phase, half wave, 60Hz, resistive or inductive load.  
For capacitive load, derate current by 20%.



	SYMBOL	GBJ10A	GBJ10B	GBJ10D	GBJ10G	GBJ10J	GBJ10K	GBJ10M	UNITS
Maximum Recurrent Peak Reverse Voltage	V <sub>RRM</sub>	50	100	200	400	600	800	1000	Volts
Maximum RMS Bridge Input Voltage	V <sub>RMS</sub>	35	70	140	280	420	560	700	Volts
Maximum DC Blocking Voltage	V <sub>DC</sub>	50	100	200	400	600	800	1000	Volts
Maximum Average Forward Output Current at T <sub>c</sub> = 100°C with heatsink	I <sub>o</sub>	10							Amps
Peak Forward Surge Current 8.3 ms single half sine-wave superimposed on rated load (JEDEC Method)	I <sub>FSM</sub>	220							Amps
Maximum Forward Voltage Drop per element at 2.0A DC	V <sub>F</sub>	1.1							Volts
Maximum DC Reverse Current at Rated DC Blocking Voltage per element	@T <sub>A</sub> = 25°C	10							μAmps
	@T <sub>A</sub> = 100°C	500							
I <sup>2</sup> t Rating for Fusing (t ≤ 8.3ms)	I <sup>2</sup> t	120							A <sup>2</sup> Sec
Typical Junction Capacitance (Note 1)	C <sub>J</sub>	55							pF
Typical Thermal Resistance (Note 2)	R <sub>θJA</sub>	1.4							°C/W
Operating Temperature Range	T <sub>J</sub>	-55 to +150							°C
Storage Temperature Range	T <sub>STG</sub>	-55 to +150							°C

NOTES : 1.Measured at 1 MHz and applied reverse voltage of 4.0 volts.

2.Thermal Resistance from Junction to Case per element Unit mounted on 300x300x1.6mm Aluminum plate heat-sink.

# RATING AND CHARACTERISTIC CURVES (GBJ10A THRU GBJ10M)

FIG. 1 - MAXIMUM NON-REPETITIVE FORWARD SURGE CURRENT

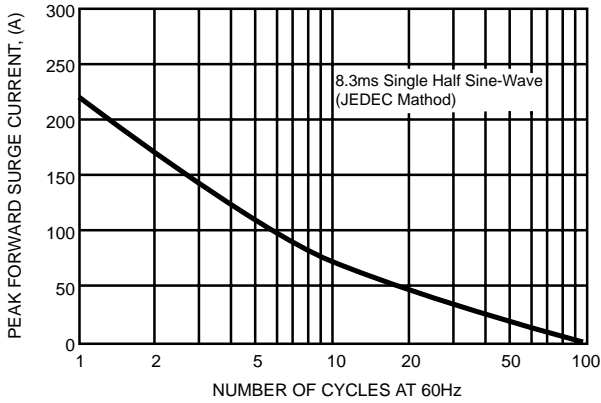


FIG. 2 - TYPICAL FORWARD CURRENT DERATING CURVE

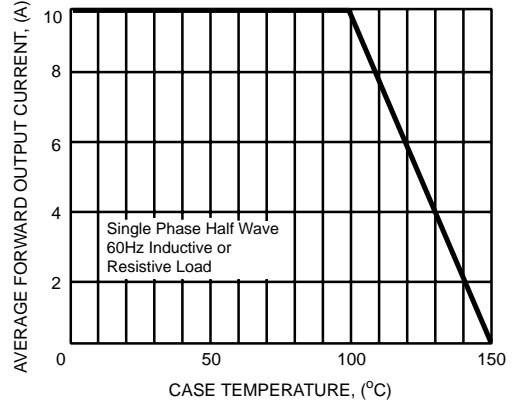


FIG. 3 - TYPICAL INSTANTANEOUS FORWARD CHARACTERISTICS

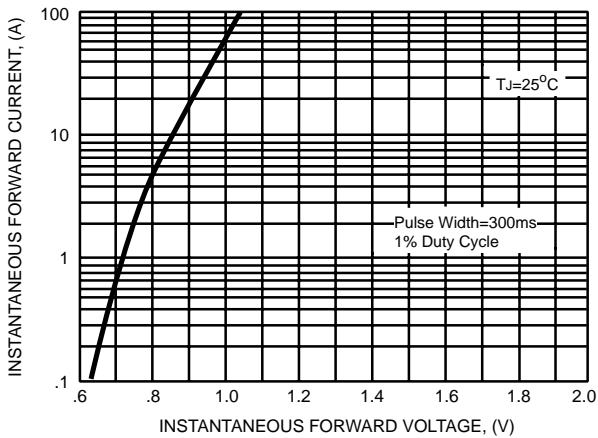


FIG. 4 - TYPICAL REVERSE CHARACTERISTICS

