

High Current Glass Passivated Molding Single-Phase Bridge Rectifier

(Pb) Lead(Pb)-Free

Features:

- * Plastic Package has Underwriters Laboratory Flammability Classification 94V-0
- * High current capacity with small package
- * Glass passivated chip junctions
- * Superior thermal conductivity
- * High IFSM

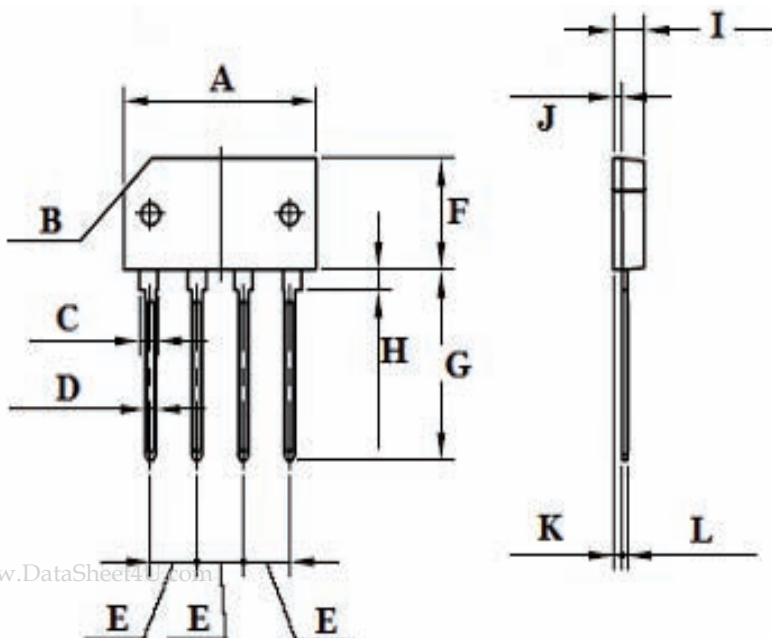
**REVERSE VOLTAGE
100 TO 1000 VOLTS
FORWARD CURRENT
4.0 AMPERE**



GBL

GBL Outline Dimension

Unit:mm



Dim	Min	Max
A	20.4	21.0
B	3x45°	-
C	1.80	2.20
D	0.90	1.30
E	4.80	5.20
F	10.2	10.8
G	17.37	18.37
H	1.37	2.37
I	3.20	3.60
J	0.80	1.20
K	0.80	1.20
L	0.30	0.70

MAXIMUM RATINGS (T_A=25°C unless otherwise noted)

Characteristics	Symbol	GBL401	GBL402	GBL404	GBL406	GBL408	GBL410	Unit
Maximum Repetitive Voltage	V _{RRM}	100	200	400	600	800	1000	V
Maximum RMS Voltage	V _{RMS}	70	140	280	420	560	700	V
Maximum DC Blocking Voltage	V _{DC}	100	200	400	600	800	1000	V
Average Rectified Forward Current @T _c = 50°C 60Hz Sine Wave Resistance Load @T _a = 40°C	I _o	4 3						A
Peak Forward Surge Current,8.3 ms Single Half Sine-Wave Superimposed on Rated Load	I _{FSM}	150						A
Max instantaneous forward voltage at 2.0A	V _F	1.1						V
Maximum DC Reverse Current @T _a = 25°C At Rated DC Blocking Voltage @T _a = 100°C	I _R	5 500						μA
Rating Of Fusing (t<8.3ms)	I _{2t}	93						A2sec
Dielectric Strength Terminals To Case , AC 1 Minute Current 1mA	V _{dia}	2.5						KV
Maximum Thermal On P.C.B. Without Heat-Sink	R _{θJA}	32						°C/W
Resistance Per Leg On Al Plate Heat-Sink	R _{θJC}	8						°C/W
Operating Junction Temperature	T _J	150						°C
Storage Temperature	T _{STG}	-55 to +150						°C

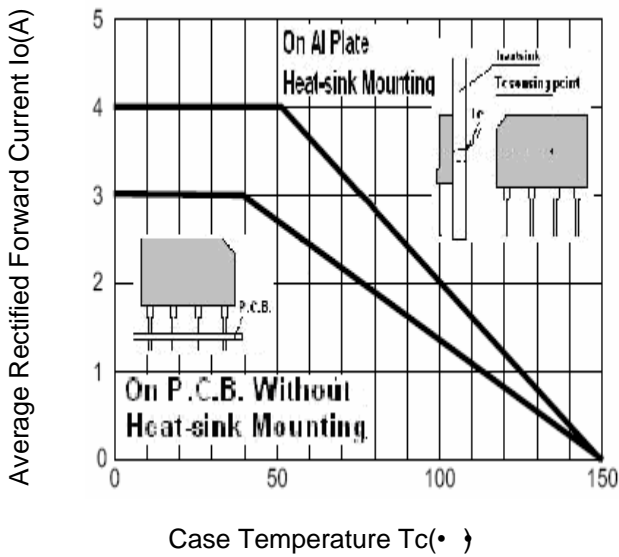


Fig. 1 Derating Curve

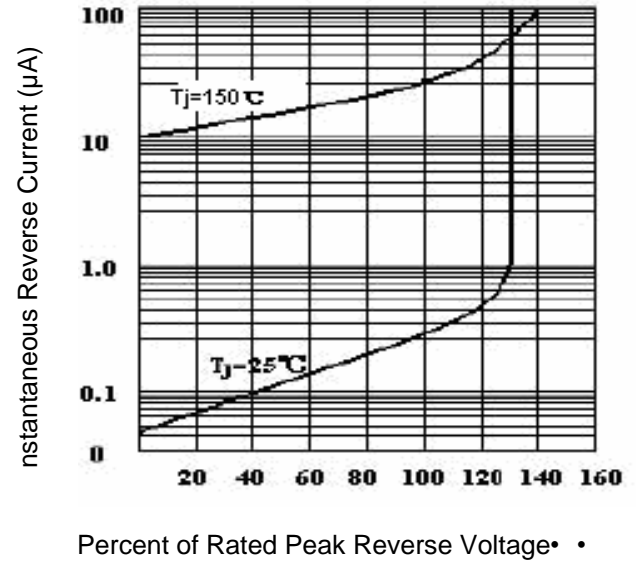


Fig. 2 Typical Reverse Characteristics

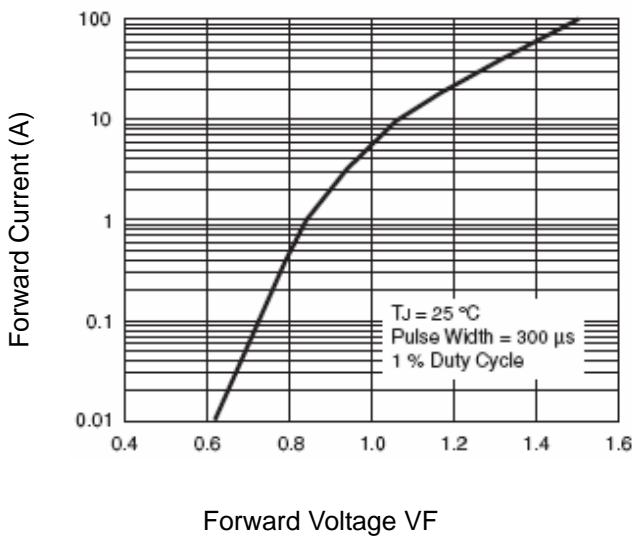


Fig. 3 Forward Voltage

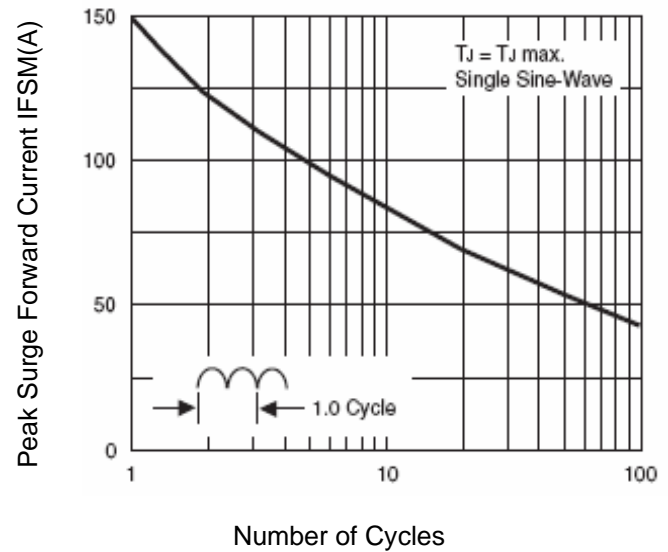


Fig. 4 Peak Surge Forward Capability