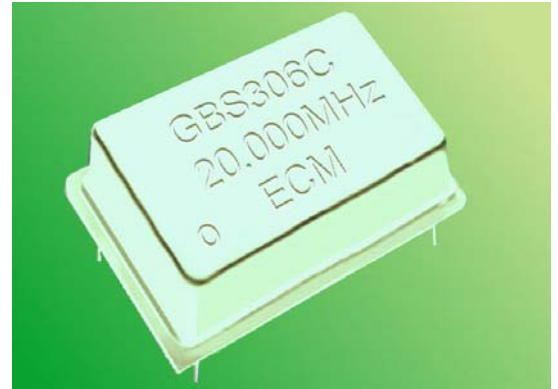


# ECM Crystal Oscillator

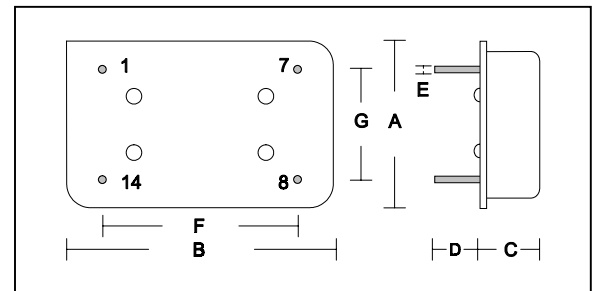
## GBS306 Series

- 250kHz – 125.0MHz
- Universal Output
- 3.3V Supply Available
- Competitive Prices for Volume Users
- Fast Make Options Available

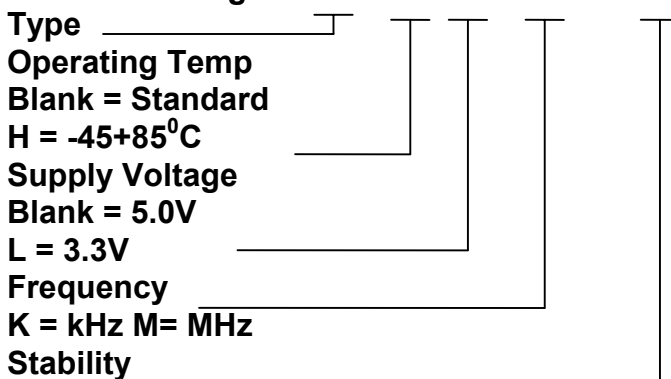


Parameter	GBS304	
Frequency Range	250kHz to 125.0MHz	
Frequency Stability	+/-25ppm (A) +/-50 ppm (B) +/-100 ppm (C)	Specify
Supply Voltage	5V +/-10% 3.3V +/-10% (L)	Specify
Supply Current	20 to 80mA max Frequency Dependant	
Load	10TTL – 15pF	
Duty Cycle	45 / 55	
Rise & Fall Times	10nS max Frequency Dependant	
Ageing	+/-5ppm / year	
Operating Temp	0°C to +70°C (-45° to +85°C) Available	
Storage Temp	-55°C to +125°C	

Environmental & Mechanical	
<b>Mechanical Shock</b>	50m/s <sup>2</sup> 11mS Duration
<b>Thermal Shock</b>	-55 +125°C duration 10mins 3 cycles
<b>Vibration</b>	10-55Hz / 0.762mm Duration 2 Hours
<b>Hermetic Seal</b>	All units 100% tested in de-ionised H <sub>2</sub> O



### Part Numbering GBS306 H L 16.384M B



www.DataSheet4U.com

Pin	1	7	8	14
Function	N/C	GND	O/P	VDD

A	B	C	D	E	F	G
13.20	20.8	5.08	6.30	0.45	15.24	7.62

Dimensions in mm

ECM Electronics Limited, Penmaen House, Ashington, West Sussex, RH20 3JR, UK  
 Tel: +44(0)1903 892810: Fax: +44(0)1903 892738. Email: ecm@ecmelectronics.co.uk

Although we have attempted to accurately reflect the products we market. ECM reserve the right without prior notice to discontinue any product or make design changes we believe necessary. www.DataSheet4U.com