

GBU6005 THRU GBU610

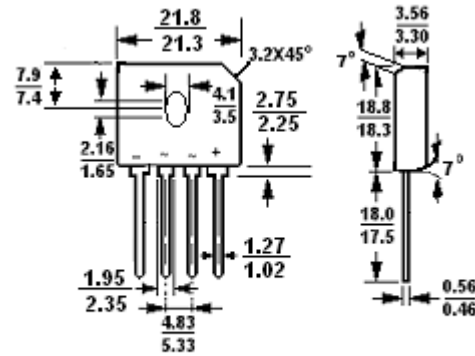
GLASS PASSIVATED SINGLE-PHASE BRIDGE RECTIFIERS

Reverse Voltage – 50 to 1000 Volts

Forward Current – 6.0 Amperes

Features

- Plastic material has Underwriters Laboratory Flammability Classification 94V-0
- Ideal for printed circuit boards
- Glass passivated chip junction
- Reliable low cost construction utilizing molded plastic technique



Dimensions in mm

Mechanical Data

- **Case:** Molded plastic GBU
- **Terminals:** leads solderable per MIL-STD-202 Method 208 guaranteed
- **Mounting Position:** Any

Absolute Maximum Ratings and Characteristics

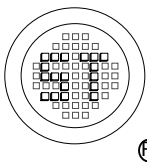
Rating at 25°C ambient temperature unless otherwise specified. Single-phase, half wave, 60Hz, resistive or inductive load. For capacitive load, derate current by 20%.

	Symbols	GBU 6005	GBU 601	GBU 602	GBU 604	GBU 606	GBU 608	GBU 610	Units
Maximum recurrent peak reverse voltage	V_{RRM}	50	100	200	400	600	800	1000	V
Maximum RMS voltage	V_{RMS}	35	70	140	280	420	560	700	V
Maximum DC blocking voltage	V_{DC}	50	100	200	400	600	800	1000	V
Maximum average forward rectified current at $T_C = 100^\circ\text{C}$ (Note 1), (Note 2)	$I_{F(AV)}$	6							A
Peak forward surge current, 8.3ms single half-sine-wave superimposed on rated load (JEDEC Method)	I_{FSM}	175							A
Maximum forward voltage at 3.0A DC and 25°C	V_F	1							V
Maximum reverse current at $T_A = 25^\circ\text{C}$ at rated DC blocking voltage $T_A = 125^\circ\text{C}$	I_R	5 500							μA
Typical junction capacitance (Note 3)	C_J	211				94			pF
Typical thermal resistance (Note 1),(Note 2)	$R_{\theta JA}$	7.4							$^\circ\text{C/W}$
Typical thermal resistance (Note 1),(Note 2)	$R_{\theta JC}$	2.2							$^\circ\text{C/W}$
Operating and storage temperature range	T_J, T_S	-55 to +150							$^\circ\text{C}$

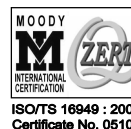
Notes: (1). Units case mounted on 2.6x1.4x0.06" thick (6.5x3.5x0.15 cm) Al. plate heatsink..

(2). Recommended mounting position is to bolt down on heatsink with silicone thermal compound for maximum heat transfer with #6 screws.

(3). Measured at 1MHz and applied reverse voltage of 4.0 VDC.



SEMTECH ELECTRONICS LTD.
 (Subsidiary of Semtech International Holdings Limited, a company listed on the Hong Kong Stock Exchange, Stock Code: 724)



ISO/TS 16949 : 2002
Certificate No. 05103

ISO 14001:2004
Certificate No. 7116

ISO 9001:2000
Certificate No. 0506098

Dated : 16/02/2004

RATINGS AND CHARACTERISTIC CURVES

