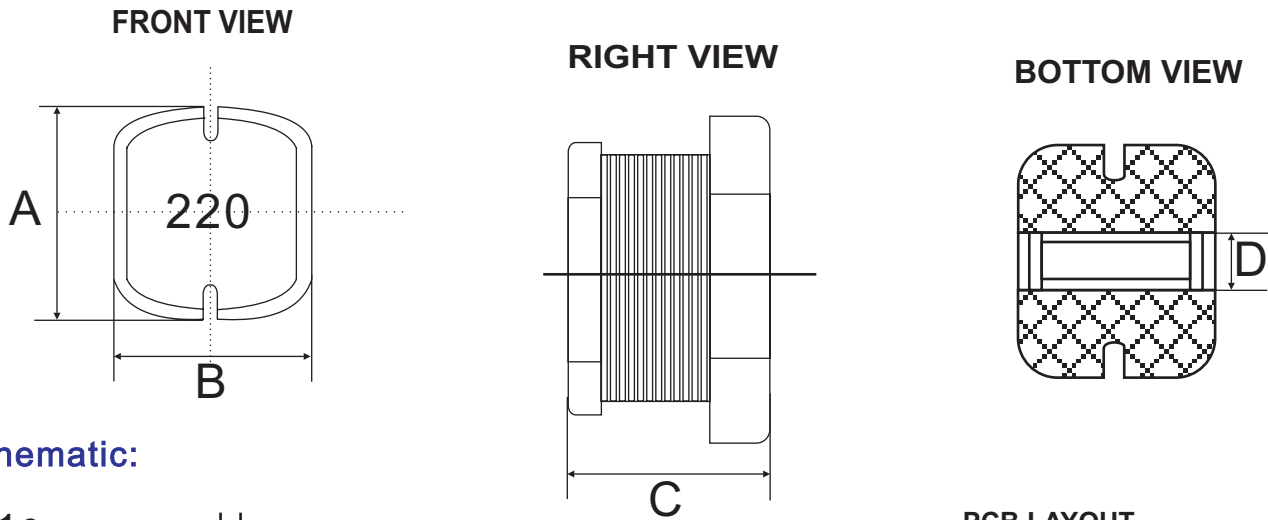
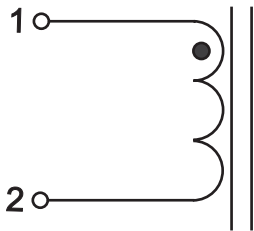


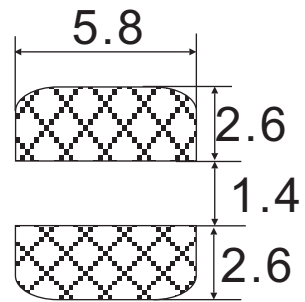
1. Mechanical Dimensions:



2. Schematic:



PCB LAYOUT



Unit: mm

A	B	C	D
±0.3	±0.3	MAX	REF
5.8	5.2	4.8	1.5

3. Electrical Characteristics :

Specifications: at 25 degree C. Operating Temperature -40 to +85°C

NO.	ITEM	TEST CONDITION	SPECIFICATION
1	Inductance	(1-2) @100KHz, 1V	22uH ±20%
2	DCR	At 25°C	169mΩ MAX
3	Rated Current	At 25°C	1.1A MAX