

---

**GigaDevice Semiconductor Inc.**

**GD32F403xx**

**ARM<sup>®</sup> Cortex<sup>®</sup>-M4 32-bit MCU**

Datasheet

## Table of Contents

<b>Table of Contents .....</b>	<b>1</b>
<b>List of Figures .....</b>	<b>4</b>
<b>List of Tables .....</b>	<b>6</b>
<b>1. General description .....</b>	<b>8</b>
<b>2. Device overview .....</b>	<b>9</b>
2.1. Device information .....	9
2.2. Block diagram .....	12
2.3. Pinouts and pin assignment .....	13
2.4. Memory map .....	16
2.5. Clock tree .....	20
2.6. Pin definitions .....	21
2.6.1. GD32F403Zx LQFP144 pin definitions .....	21
2.6.2. GD32F403Vx LQFP100 pin definitions .....	29
2.6.3. GD32F403Rx LQFP64 pin definitions .....	35
2.6.4. GD32F403Vx BGA100 pin definitions .....	39
<b>3. Functional description .....</b>	<b>45</b>
3.1. ARM® Cortex®-M4 core .....	45
3.2. On-chip memory .....	45
3.3. Clock, reset and supply management .....	46
3.4. Boot modes .....	46
3.5. Power saving modes .....	47
3.6. Analog to digital converter (ADC) .....	47
3.7. Digital to analog converter (DAC) .....	48
3.8. DMA .....	48
3.9. General-purpose inputs/outputs (GPIOs) .....	48
3.10. Timers and PWM generation .....	49
3.11. Real time clock (RTC) .....	50
3.12. Inter-integrated circuit (I2C) .....	50
3.13. Serial peripheral interface (SPI) .....	50
3.14. Universal synchronous asynchronous receiver transmitter (USART) .....	51

3.15.	Inter-IC sound (I2S) .....	51
3.16.	Universal serial bus on-the-go full-speed (USBFS) .....	51
3.17.	Controller area network (CAN) .....	52
3.18.	Secure digital input and output card interface (SDIO) .....	52
3.19.	External memory controller (EXMC) .....	52
3.20.	Debug mode .....	53
3.21.	Package and operation temperature .....	53
<b>4.</b>	<b>Electrical characteristics .....</b>	<b>54</b>
4.1.	Absolute maximum ratings .....	54
4.2.	Operating conditions characteristics .....	54
4.3.	Power consumption .....	56
4.4.	EMC characteristics .....	63
4.5.	Power supply supervisor characteristics .....	64
4.6.	Electrical sensitivity .....	65
4.7.	External clock characteristics .....	65
4.8.	Internal clock characteristics .....	67
4.9.	PLL characteristics .....	69
4.10.	Memory characteristics .....	70
4.11.	NRST pin characteristics .....	71
4.12.	GPIO characteristics .....	71
4.13.	ADC characteristics .....	73
4.14.	Temperature sensor characteristics .....	74
4.15.	DAC characteristics .....	75
4.16.	I2C characteristics .....	76
4.17.	SPI characteristics .....	77
4.18.	I2S characteristics .....	78
4.19.	USART characteristics .....	78
4.20.	SDIO characteristics .....	79
4.21.	CAN characteristics .....	79
4.22.	USBFS characteristics .....	79
4.23.	EXMC characteristics .....	80
4.24.	TIMER characteristics .....	84



---

4.25.	WDGT characteristics .....	85
4.26.	Parameter conditions .....	85
<b>5.</b>	<b>Package information.....</b>	<b>86</b>
5.1.	LQFP144 package outline dimensions .....	86
5.2.	LQFP100 package outline dimensions .....	87
5.3.	BGA100 package outline dimensions .....	88
5.4.	LQFP64 package outline dimensions .....	89
<b>6.</b>	<b>Ordering information .....</b>	<b>91</b>
<b>7.</b>	<b>Revision history .....</b>	<b>92</b>

## List of Figures

<i>Figure 2-1. GD32F403xx block diagram</i> .....	12
<i>Figure 2-2. GD32F403Zx LQFP144 pinouts</i> .....	13
<i>Figure 2-3. GD32F403Vx LQFP100 pinouts</i> .....	14
<i>Figure 2-4. GD32F403Rx LQFP64 pinouts</i> .....	15
<i>Figure 2-5. GD32F403Vx BGA100 pinouts</i> .....	16
<i>Figure 2-6. GD32F403xx clock tree</i> .....	20
<i>Figure 4-1. Recommended power supply decoupling capacitors<sup>(1) (2)</sup></i> .....	55
<i>Figure 4-2. Typical supply current consumption in Run mode</i> .....	61
<i>Figure 4-3. Typical supply current consumption in Sleep mode</i> .....	62
<i>Figure 4-4. Recommended external NRST pin circuit</i> .....	71
<i>Figure 4-5. I/O port AC characteristics definition</i> .....	72
<i>Figure 4-6. USBFS timings: definition of data signal rise and fall time</i> .....	80
<i>Figure 5-1. LQFP144 package outline</i> .....	86
<i>Figure 5-2. LQFP100 package outline</i> .....	87
<i>Figure 5-3. LQFP100 package outline</i> .....	88
<i>Figure 5-4. LQFP64 package outline</i> .....	89



## List of Tables

<b>Table 2-1. GD32F403xx devices features and peripheral list</b> .....	9
<b>Table 2-2. GD32F403xx devices features and peripheral list (Cont.)</b> .....	11
<b>Table 2-3. GD32F403xx memory map</b> .....	16
<b>Table 2-4. GD32F403Zx LQFP144 pin definitions</b> .....	21
<b>Table 2-5. GD32F403Vx LQFP100 pin definitions</b> .....	29
<b>Table 2-6. GD32F403Rx LQFP64 pin definitions</b> .....	35
<b>Table 2-7. GD32F403Vx BGA100 pin definitions</b> .....	39
<b>Table 4-1. Absolute maximum ratings<sup>(1)(4)</sup></b> .....	54
<b>Table 4-2. DC operating conditions</b> .....	54
<b>Table 4-3. Clock frequency<sup>(1)</sup></b> .....	55
<b>Table 4-4. Operating conditions at Power up / Power down<sup>(1)</sup></b> .....	55
<b>Table 4-5. Start-up timings of Operating conditions<sup>(1)(2)(3)</sup></b> .....	55
<b>Table 4-6. Power saving mode wakeup timings characteristics<sup>(1)(2)</sup></b> .....	55
<b>Table 4-7. Power consumption characteristics<sup>(2)(3)(4)(5)</sup></b> .....	56
<b>Table 4-8. Peripheral current consumption characteristics<sup>(1)</sup></b> .....	62
<b>Table 4-9. EMS characteristics<sup>(1)</sup></b> .....	64
<b>Table 4-10. Power supply supervisor characteristics</b> .....	64
<b>Table 4-11. ESD characteristics<sup>(1)</sup></b> .....	65
<b>Table 4-12. Static latch-up characteristics<sup>(1)</sup></b> .....	65
<b>Table 4-13. High speed external clock (HXTAL) generated from a crystal/ceramic characteristics</b> ..	65
<b>Table 4-14. High speed external clock characteristics (HXTAL in bypass mode)</b> .....	66
<b>Table 4-15. Low speed external clock (LXTAL) generated from a crystal/ceramic characteristics</b> ...	66
<b>Table 4-16. Low speed external user clock characteristics (LXTAL in bypass mode)</b> .....	67
<b>Table 4-17. High speed internal clock (IRC8M) characteristics</b> .....	67
<b>Table 4-18. Low speed internal clock (IRC40K) characteristics</b> .....	68
<b>Table 4-19. High speed internal clock (IRC48M) characteristics</b> .....	68
<b>Table 4-20. PLL characteristics</b> .....	69
<b>Table 4-21. PLL1 characteristics</b> .....	69
<b>Table 4-22. PLL2 characteristics</b> .....	70
<b>Table 4-23. Flash memory characteristics</b> .....	70
<b>Table 4-24. NRST pin characteristics</b> .....	71
<b>Table 4-25. I/O port DC characteristics<sup>(1)(3)</sup></b> .....	71
<b>Table 4-26. I/O port AC characteristics<sup>(1)(2)</sup></b> .....	72
<b>Table 4-27. ADC characteristics</b> .....	73
<b>Table 4-28. ADC <math>R_{AIN\ max}</math> for <math>f_{ADC} = 40\ MHz</math></b> .....	74
<b>Table 4-29. ADC dynamic accuracy at <math>f_{ADC} = 14\ MHz</math><sup>(1)</sup></b> .....	74
<b>Table 4-30. ADC dynamic accuracy at <math>f_{ADC} = 40\ MHz</math><sup>(1)</sup></b> .....	74
<b>Table 4-31. ADC static accuracy at <math>f_{ADC} = 14\ MHz</math><sup>(1)</sup></b> .....	74
<b>Table 4-32. Temperature sensor characteristics<sup>(1)</sup></b> .....	74
<b>Table 4-33. DAC characteristics</b> .....	75

<b>Table 4-34. I2C characteristics<sup>(1)(2)</sup></b> .....	76
<b>Table 4-35. Standard SPI characteristics<sup>(1)</sup></b> .....	77
<b>Table 4-36. I2S characteristics<sup>(1)(2)</sup></b> .....	78
<b>Table 4-37. USART characteristics<sup>(1)</sup></b> .....	78
<b>Table 4-38. SDIO characteristics<sup>(1)(2)</sup></b> .....	79
<b>Table 4-39. USBFS start up time</b> .....	79
<b>Table 4-40. USBFS DC electrical characteristics</b> .....	80
<b>Table 4-41. USBFS full speed-electrical characteristics<sup>(1)</sup></b> .....	80
<b>Table 4-42. Asynchronous non-multiplexed SRAM/PSRAM/NOR read timings<sup>(1)(2)(3)(4)</sup></b> .....	80
<b>Table 4-43. Asynchronous non-multiplexed SRAM/PSRAM/NOR write timings<sup>(1)(2)(3)(4)</sup></b> .....	81
<b>Table 4-44. Asynchronous multiplexed PSRAM/NOR read timings<sup>(1)(2)(3)(4)</sup></b> .....	81
<b>Table 4-45. Asynchronous multiplexed PSRAM/NOR write timings<sup>(1)(2)(3)(4)</sup></b> .....	82
<b>Table 4-46. Synchronous multiplexed PSRAM/NOR read timings<sup>(1)(2)(3)(4)</sup></b> .....	82
<b>Table 4-47. Synchronous multiplexed PSRAM write timings<sup>(1)(2)(3)(4)</sup></b> .....	83
<b>Table 4-48. Synchronous non-multiplexed PSRAM/NOR read timings<sup>(1)(2)(3)(4)</sup></b> .....	83
<b>Table 4-49. Synchronous non-multiplexed PSRAM write timings<sup>(1)(2)(3)(4)</sup></b> .....	84
<b>Table 4-50. TIMER characteristics<sup>(1)</sup></b> .....	84
<b>Table 4-51. FWDGT min/max timeout period at 40 kHz (IRC40K)<sup>(1)</sup></b> .....	85
<b>Table 4-52. WWDGT min-max timeout value at 84 MHz (f<sub>PCLK1</sub>)<sup>(1)</sup></b> .....	85
<b>Table 5-1. LQFP144 package dimensions</b> .....	86
<b>Table 5-2. LQFP100 package dimensions</b> .....	87
<b>Table 5-3. BGA100 package dimensions</b> .....	88
<b>Table 5-4. LQFP64 package dimensions</b> .....	89
<b>Table 6-1. Part ordering code for GD32F403xx devices</b> .....	91
<b>Table 7-1. Revision history</b> .....	92



## 1. General description

The GD32F403xx device belongs to the performance line of GD32 MCU Family. It is a new 32-bit general-purpose microcontroller based on the ARM® Cortex®-M4 RISC core with best cost-performance ratio in terms of enhanced processing capacity, reduced power consumption and peripheral set. The Cortex®-M4 core implements a full set of DSP instructions to address digital signal control markets that demand an efficient, easy-to-use blend of control and signal processing capabilities. It also provides a Memory Protection Unit (MPU) and powerful trace technology for enhanced application security and advanced debug support.

The GD32F403xx device incorporates the ARM® Cortex®-M4 32-bit processor core operating at 168 MHz frequency with Flash accesses zero wait states to obtain maximum efficiency. It provides up to 3072 KB on-chip Flash memory and 128 KB SRAM memory. An extensive range of enhanced I/Os and peripherals connected to two APB buses. The devices offer up to three 12-bit 2.6M MSPS ADCs, two 12-bit DACs, up to eight general-purpose 16-bit timers, two 16-bit PWM advanced-control timers, and two 16-bit basic timers, as well as standard and advanced communication interfaces: up to three SPIs, two I2Cs, three USARTs and two UARTs, two I2Ss, two CANs, a SDIO, and an USBFS.

The device operates from a 2.6 to 3.6 V power supply and available in –40 to +85 °C temperature range. Several power saving modes provide the flexibility for maximum optimization between wakeup latency and power consumption, an especially important consideration in low power applications.

The above features make GD32F403xx devices suitable for a wide range of interconnection and advanced applications, especially in areas such as industrial control, consumer and handheld equipment, embedded modules, human machine interface, security and alarm systems, graphic display, automotive navigation, drone, IoT and so on.



## 2. Device overview

### 2.1. Device information

**Table 2-1. GD32F403xx devices features and peripheral list**

Part Number		GD32F403xx									
		RC	RE	RG	RI	RK	VC	VE	VG	VI	VK
Flash	Code area (KB)	256	256	256	256	256	256	256	256	256	256
	Data area (KB)	0	256	768	1792	2816	0	256	768	1792	2816
	Total (KB)	256	512	1024	2048	3072	256	512	1024	2048	3072
SRAM (KB)		64	96	128	128	128	64	96	128	128	128
Timers	General timer(16-bit)	8 <small>(2-3,8-13)</small>	8 <small>(2-3,8-13)</small>	8 <small>(2-3,8-13)</small>	8 <small>(2-3,8-13)</small>	8 <small>(2-3,8-13)</small>	8 <small>(2-3,8-13)</small>	8 <small>(2-3,8-13)</small>	8 <small>(2-3,8-13)</small>	8 <small>(2-3,8-13)</small>	8 <small>(2-3,8-13)</small>
	Advanced timer(16-bit)	2 <small>(0,7)</small>	2 <small>(0,7)</small>	2 <small>(0,7)</small>	2 <small>(0,7)</small>	2 <small>(0,7)</small>	2 <small>(0,7)</small>	2 <small>(0,7)</small>	2 <small>(0,7)</small>	2 <small>(0,7)</small>	2 <small>(0,7)</small>
	Basic timer(16-bit)	2 <small>(5-6)</small>	2 <small>(5-6)</small>	2 <small>(5-6)</small>	2 <small>(5-6)</small>	2 <small>(5-6)</small>	2 <small>(5-6)</small>	2 <small>(5-6)</small>	2 <small>(5-6)</small>	2 <small>(5-6)</small>	2 <small>(5-6)</small>
	SysTick	1	1	1	1	1	1	1	1	1	1
	Watchdog	2	2	2	2	2	2	2	2	2	2
	RTC	1	1	1	1	1	1	1	1	1	1
Connectivity	USART	3 <small>(0-2)</small>	3 <small>(0-2)</small>	3 <small>(0-2)</small>	3 <small>(0-2)</small>	3 <small>(0-2)</small>	3 <small>(0-2)</small>	3 <small>(0-2)</small>	3 <small>(0-2)</small>	3 <small>(0-2)</small>	3 <small>(0-2)</small>
	UART	2 <small>(3-4)</small>	2 <small>(3-4)</small>	2 <small>(3-4)</small>	2 <small>(3-4)</small>	2 <small>(3-4)</small>	2 <small>(3-4)</small>	2 <small>(3-4)</small>	2 <small>(3-4)</small>	2 <small>(3-4)</small>	2 <small>(3-4)</small>
	I2C	2	2	2	2	2	2	2	2	2	2
	SPI/I2S	3/2 <small>(0-2)/(1-2)</small>	3/2 <small>(0-2)/(1-2)</small>	3/2 <small>(0-2)/(1-2)</small>	3/2 <small>(0-2)/(1-2)</small>	3/2 <small>(0-2)/(1-2)</small>	3/2 <small>(0-2)/(1-2)</small>	3/2 <small>(0-2)/(1-2)</small>	3/2 <small>(0-2)/(1-2)</small>	3/2 <small>(0-2)/(1-2)</small>	3/2 <small>(0-2)/(1-2)</small>
	SDIO	1	1	1	1	1	1	1	1	1	1
	CAN	2	2	2	2	2	2	2	2	2	2
	USBFS	1	1	1	1	1	1	1	1	1	1
GPIO		51	51	51	51	51	80	80	80	80	80
EXMC		0	0	0	0	0	1	1	1	1	1
EXTI		16	16	16	16	16	16	16	16	16	16
ADC Unit (CHs)		3(16)	3(16)	3(16)	3(16)	3(16)	3(16)	3(16)	3(16)	3(16)	3(16)

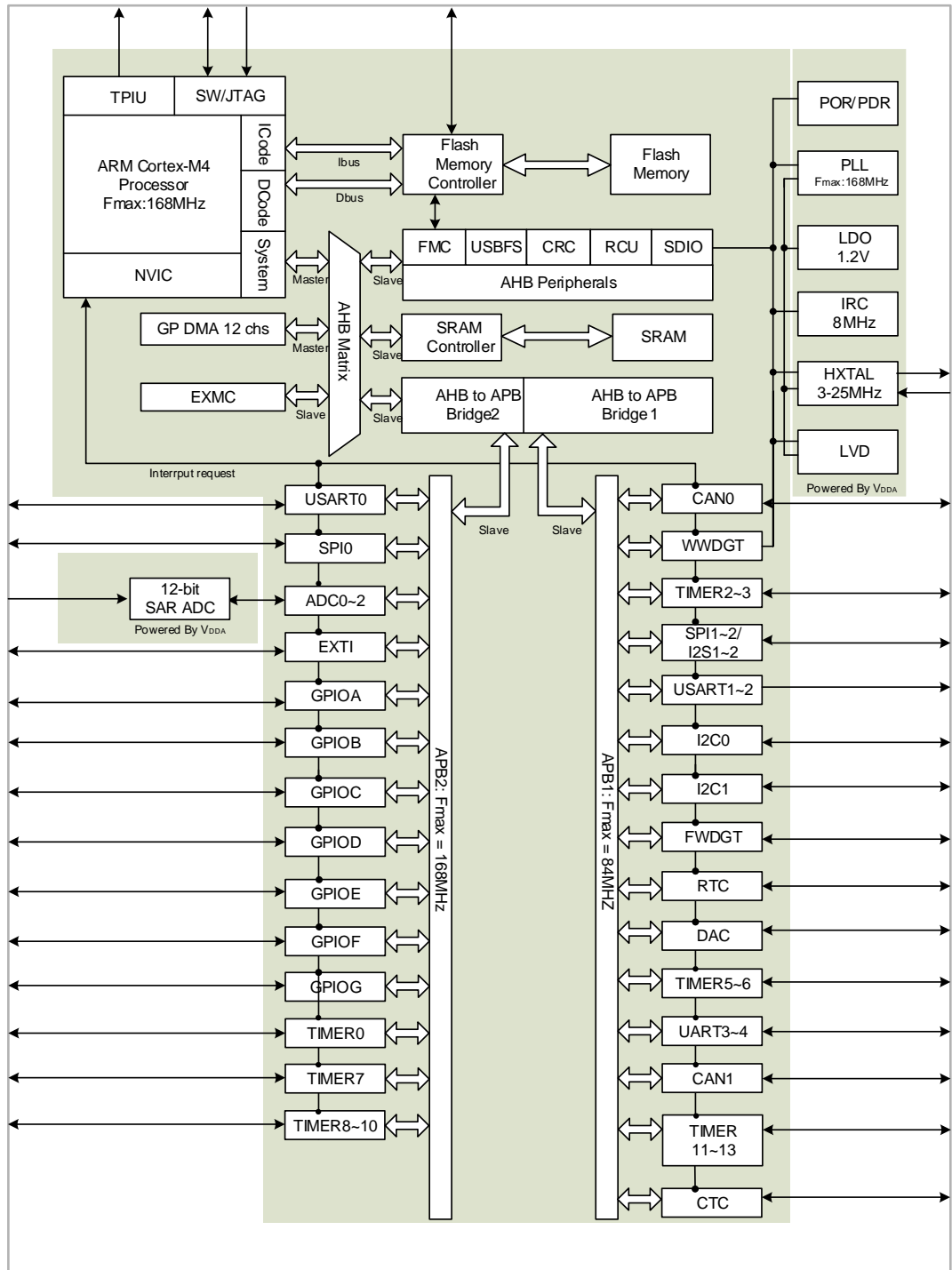
<b>DAC</b>	2	2	2	2	2	2	2	2	2	2
<b>Package</b>	LQFP64					LQFP100				

**Table 2-2. GD32F403xx devices features and peripheral list (Cont.)**

Part Number		GD32F403xx									
		VC	VE	VG	VI	VK	ZC	ZE	ZG	ZI	ZK
Flash	Code area (KB)	256	256	256	256	256	256	256	256	256	256
	Data area (KB)	0	256	768	1792	2816	0	256	768	1792	2816
	Total (KB)	256	512	1024	2048	3072	256	512	1024	2048	3072
SRAM (KB)		64	96	128	128	128	64	96	128	128	128
Timers	General timer(16-bit)	8 <small>(2-3,8-13)</small>	8 <small>(2-3,8-13)</small>	8 <small>(2-3,8-13)</small>	8 <small>(2-3,8-13)</small>	8 <small>(2-3,8-13)</small>	8 <small>(2-3,8-13)</small>	8 <small>(2-3,8-13)</small>	8 <small>(2-3,8-13)</small>	8 <small>(2-3,8-13)</small>	8 <small>(2-3,8-13)</small>
	Advanced timer(16-bit)	2 <small>(0,7)</small>	2 <small>(0,7)</small>	2 <small>(0,7)</small>	2 <small>(0,7)</small>	2 <small>(0,7)</small>	2 <small>(0,7)</small>	2 <small>(0,7)</small>	2 <small>(0,7)</small>	2 <small>(0,7)</small>	2 <small>(0,7)</small>
	Basic timer(16-bit)	2 <small>(5-6)</small>	2 <small>(5-6)</small>	2 <small>(5-6)</small>	2 <small>(5-6)</small>	2 <small>(5-6)</small>	2 <small>(5-6)</small>	2 <small>(5-6)</small>	2 <small>(5-6)</small>	2 <small>(5-6)</small>	2 <small>(5-6)</small>
	SysTick	1	1	1	1	1	1	1	1	1	1
	Watchdog	2	2	2	2	2	2	2	2	2	2
	RTC	1	1	1	1	1	1	1	1	1	1
Connectivity	USART	3 <small>(0-2)</small>	3 <small>(0-2)</small>	3 <small>(0-2)</small>	3 <small>(0-2)</small>	3 <small>(0-2)</small>	3 <small>(0-2)</small>	3 <small>(0-2)</small>	3 <small>(0-2)</small>	3 <small>(0-2)</small>	3 <small>(0-2)</small>
	UART	2 <small>(3-4)</small>	2 <small>(3-4)</small>	2 <small>(3-4)</small>	2 <small>(3-4)</small>	2 <small>(3-4)</small>	2 <small>(3-4)</small>	2 <small>(3-4)</small>	2 <small>(3-4)</small>	2 <small>(3-4)</small>	2 <small>(3-4)</small>
	I2C	2	2	2	2	2	2	2	2	2	2
	SPI/I2S	3/2 <small>(0-2)/(1-2)</small>	3/2 <small>(0-2)/(1-2)</small>	3/2 <small>(0-2)/(1-2)</small>	3/2 <small>(0-2)/(1-2)</small>	3/2 <small>(0-2)/(1-2)</small>	3/2 <small>(0-2)/(1-2)</small>	3/2 <small>(0-2)/(1-2)</small>	3/2 <small>(0-2)/(1-2)</small>	3/2 <small>(0-2)/(1-2)</small>	3/2 <small>(0-2)/(1-2)</small>
	SDIO	1	1	1	1	1	1	1	1	1	1
	CAN	2	2	2	2	2	2	2	2	2	2
	USBFS	1	1	1	1	1	1	1	1	1	1
GPIO		80	80	80	80	80	112	112	112	112	112
EXMC		1	1	1	1	1	1	1	1	1	1
EXTI		16	16	16	16	16	16	16	16	16	16
ADC Unit (CHs)		3(16)	3(16)	3(16)	3(16)	3(16)	3(21)	3(21)	3(21)	3(21)	3(21)
DAC		2	2	2	2	2	2	2	2	2	2
Package		BGA100					LQFP144				

## 2.2. Block diagram

Figure 2-1. GD32F403xx block diagram



## 2.3. Pinouts and pin assignment

Figure 2-2. GD32F403Zx LQFP144 pinouts



Figure 2-3. GD32F403Vx LQFP100 pinouts

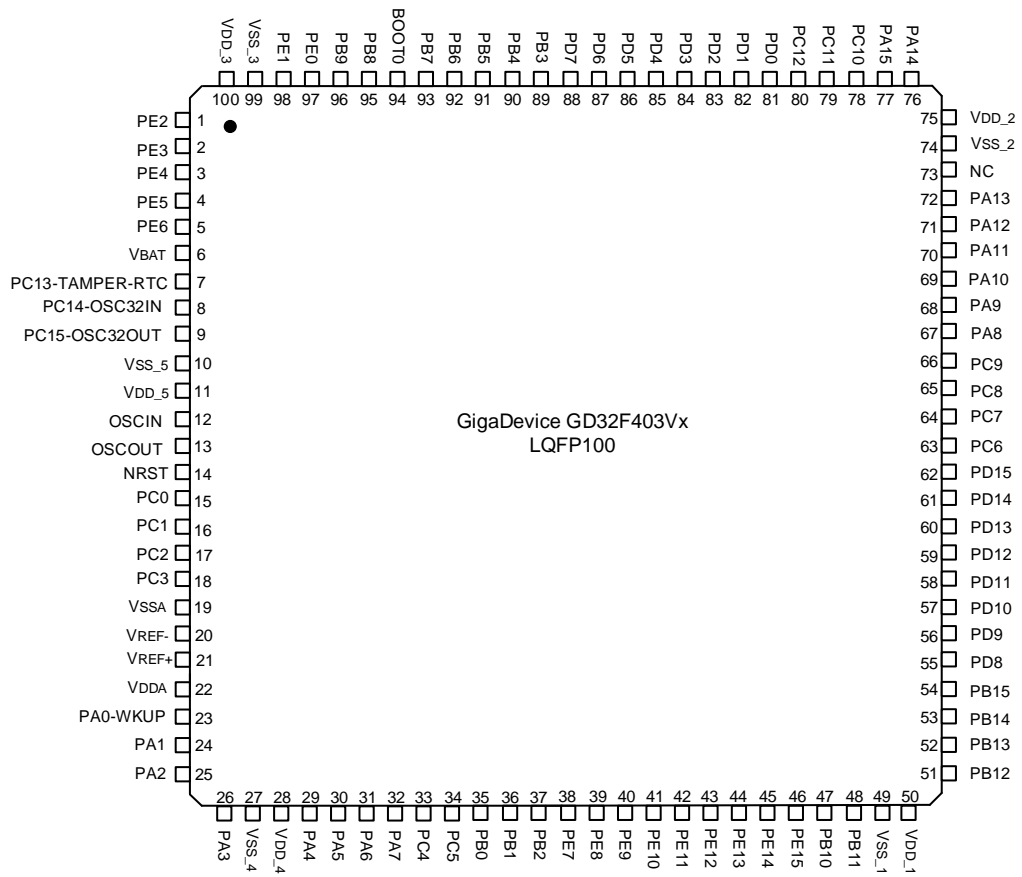
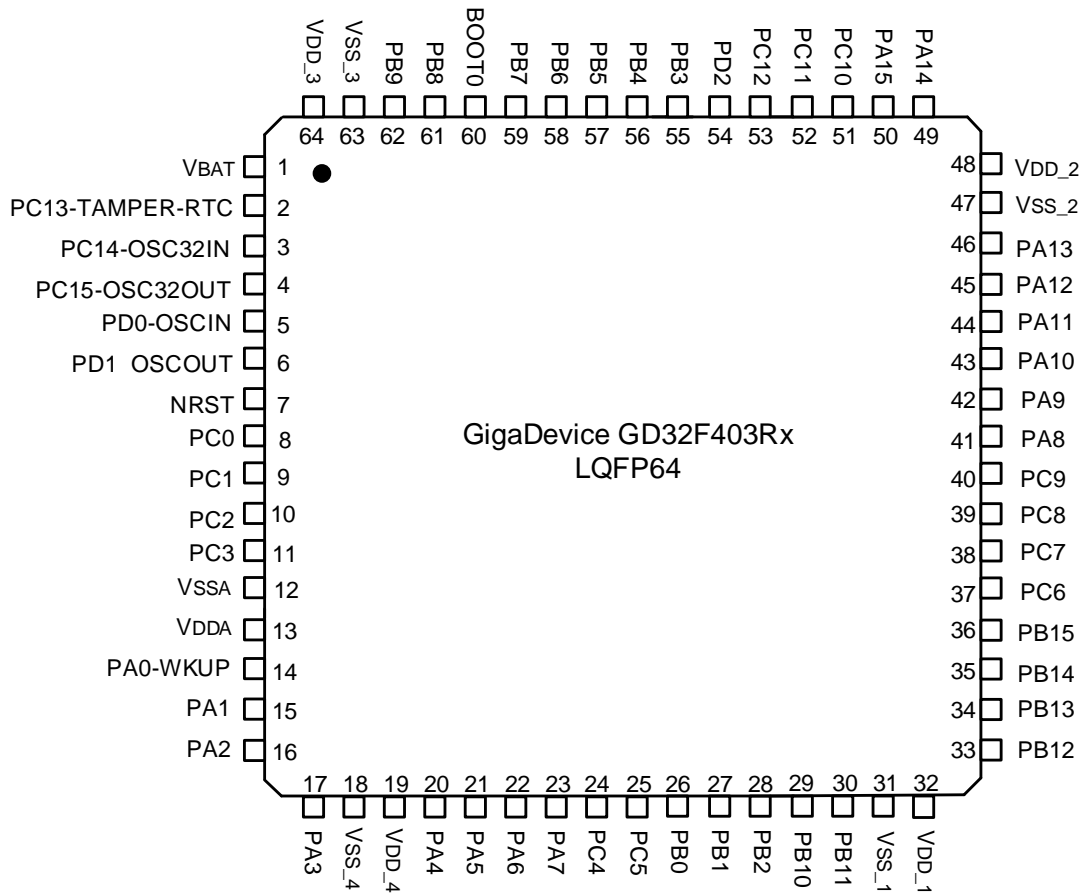
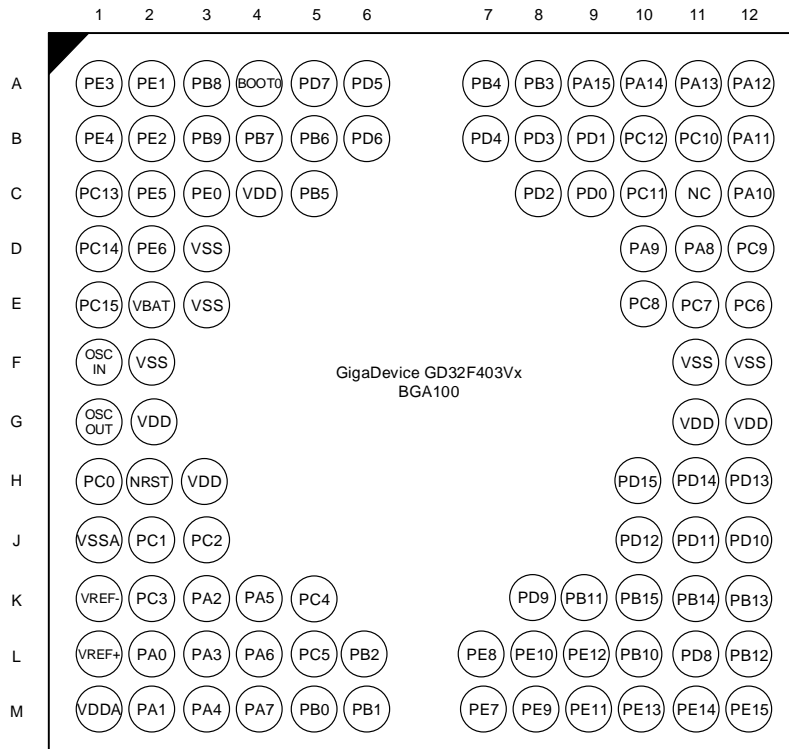


Figure 2-4. GD32F403Rx LQFP64 pinouts





**Figure 2-5. GD32F403Vx BGA100 pinouts**



## 2.4. Memory map

**Table 2-3. GD32F403xx memory map**

Pre-defined Regions	Bus	Address	Peripherals
External device	AHB3	0xA000 0000 - 0xA000 0FFF	EXMC - SWREG
External RAM		0x9000 0000 - 0x9FFF FFFF	EXMC - PC CARD
		0x7000 0000 - 0x8FFF FFFF	EXMC - NAND
Peripheral	AHB1	0x6000 0000 - 0x6FFF FFFF	EXMC - NOR/PSRAM/SRAM
		0x5000 0000 - 0x5003 FFFF	USBFS
		0x4008 0000 - 0x4FFF FFFF	Reserved
		0x4004 0000 - 0x4007 FFFF	Reserved
		0x4002 BC00 - 0x4003 FFFF	Reserved
		0x4002 B000 - 0x4002 BBFF	Reserved
		0x4002 A000 - 0x4002 AFFF	Reserved
		0x4002 8000 - 0x4002 9FFF	Reserved
		0x4002 6800 - 0x4002 7FFF	Reserved
		0x4002 6400 - 0x4002 67FF	Reserved
		0x4002 6000 - 0x4002 63FF	Reserved
0x4002 5000 - 0x4002 5FFF	Reserved		

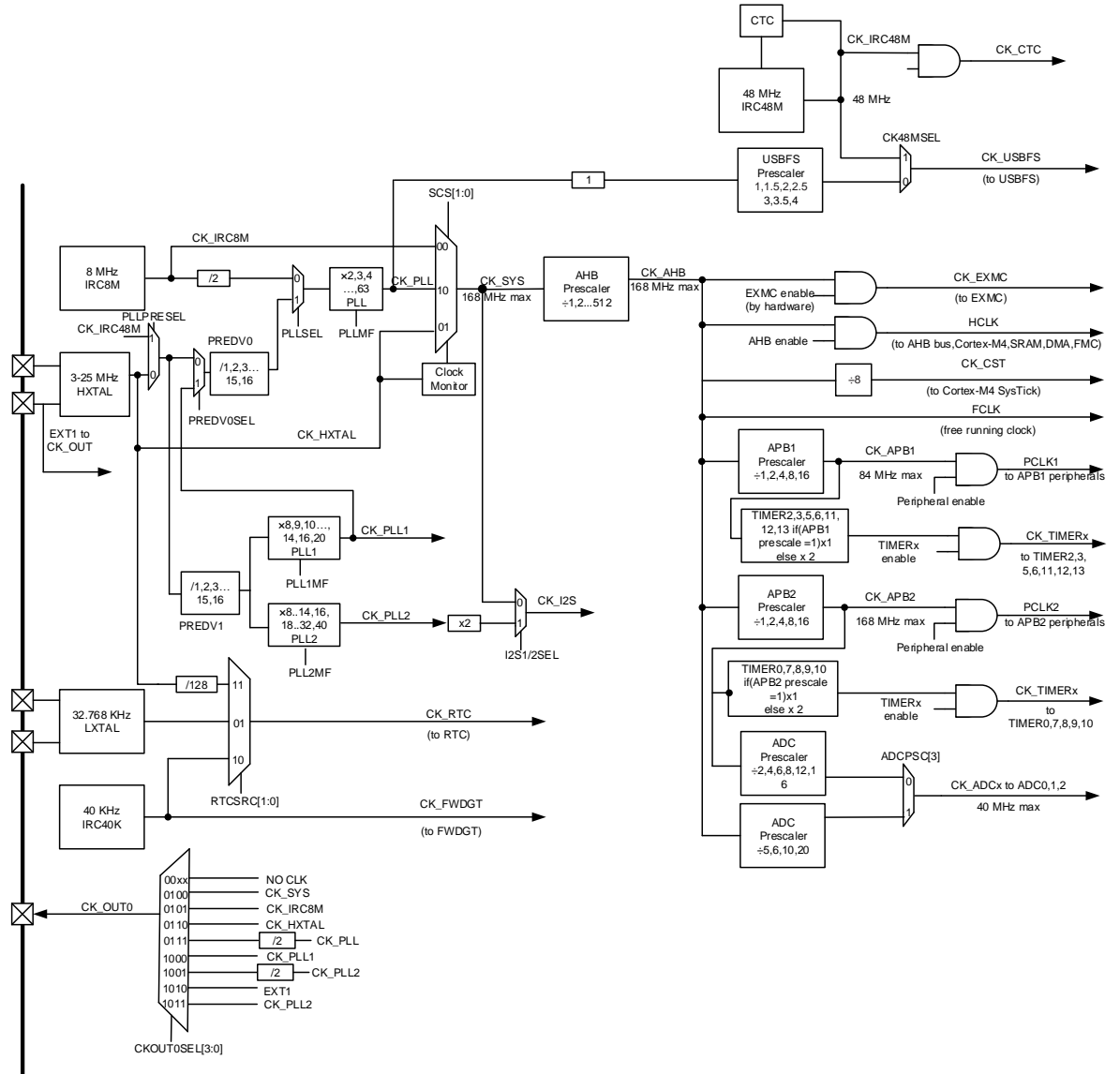
Pre-defined Regions	Bus	Address	Peripherals
		0x4002 4000 - 0x4002 4FFF	Reserved
		0x4002 3C00 - 0x4002 3FFF	Reserved
		0x4002 3800 - 0x4002 3BFF	Reserved
		0x4002 3400 - 0x4002 37FF	Reserved
		0x4002 3000 - 0x4002 33FF	CRC
		0x4002 2C00 - 0x4002 2FFF	Reserved
		0x4002 2800 - 0x4002 2BFF	Reserved
		0x4002 2400 - 0x4002 27FF	Reserved
		0x4002 2000 - 0x4002 23FF	FMC
		0x4002 1C00 - 0x4002 1FFF	Reserved
		0x4002 1800 - 0x4002 1BFF	Reserved
		0x4002 1400 - 0x4002 17FF	Reserved
		0x4002 1000 - 0x4002 13FF	RCU
		0x4002 0C00 - 0x4002 0FFF	Reserved
		0x4002 0800 - 0x4002 0BFF	Reserved
		0x4002 0400 - 0x4002 07FF	DMA1
		0x4002 0000 - 0x4002 03FF	DMA0
		0x4001 8400 - 0x4001 FFFF	Reserved
		0x4001 8000 - 0x4001 83FF	SDIO
		0x4001 7C00 - 0x4001 7FFF	Reserved
	0x4001 7800 - 0x4001 7BFF	Reserved	
	0x4001 7400 - 0x4001 77FF	Reserved	
	0x4001 7000 - 0x4001 73FF	Reserved	
	0x4001 6C00 - 0x4001 6FFF	Reserved	
	0x4001 6800 - 0x4001 6BFF	Reserved	
	0x4001 5C00 - 0x4001 67FF	Reserved	
	0x4001 5800 - 0x4001 5BFF	Reserved	
	0x4001 5400 - 0x4001 57FF	TIMER10	
	0x4001 5000 - 0x4001 53FF	TIMER9	
	0x4001 4C00 - 0x4001 4FFF	TIMER8	
	0x4001 4800 - 0x4001 4BFF	Reserved	
	0x4001 4400 - 0x4001 47FF	Reserved	
	0x4001 4000 - 0x4001 43FF	Reserved	
	0x4001 3C00 - 0x4001 3FFF	ADC2	
	0x4001 3800 - 0x4001 3BFF	USART0	
	0x4001 3400 - 0x4001 37FF	TIMER7	
0x4001 3000 - 0x4001 33FF	SPI0		
0x4001 2C00 - 0x4001 2FFF	TIMER0		
0x4001 2800 - 0x4001 2BFF	ADC1		
0x4001 2400 - 0x4001 27FF	ADC0		

Pre-defined Regions	Bus	Address	Peripherals
		0x4001 2000 - 0x4001 23FF	GPIOG
		0x4001 1C00 - 0x4001 1FFF	GPIOF
		0x4001 1800 - 0x4001 1BFF	GPIOE
		0x4001 1400 - 0x4001 17FF	GPIOD
		0x4001 1000 - 0x4001 13FF	GPIOC
		0x4001 0C00 - 0x4001 0FFF	GPIOB
		0x4001 0800 - 0x4001 0BFF	GPIOA
		0x4001 0400 - 0x4001 07FF	EXTI
		0x4001 0000 - 0x4001 03FF	AFIO
	APB1	0x4000 CC00 - 0x4000 FFFF	Reserved
		0x4000 C800 - 0x4000 CBFF	CTC
		0x4000 C400 - 0x4000 C7FF	Reserved
		0x4000 C000 - 0x4000 C3FF	Reserved
		0x4000 8000 - 0x4000 BFFF	Reserved
		0x4000 7C00 - 0x4000 7FFF	Reserved
		0x4000 7800 - 0x4000 7BFF	Reserved
		0x4000 7400 - 0x4000 77FF	DAC
		0x4000 7000 - 0x4000 73FF	PMU
		0x4000 6C00 - 0x4000 6FFF	BKP
		0x4000 6800 - 0x4000 6BFF	CAN1
		0x4000 6400 - 0x4000 67FF	CAN0
		0x4000 6000 - 0x4000 63FF	CAN SRAM 512 bytes
		0x4000 5C00 - 0x4000 5FFF	Reserved
		0x4000 5800 - 0x4000 5BFF	I2C1
		0x4000 5400 - 0x4000 57FF	I2C0
		0x4000 5000 - 0x4000 53FF	UART4
		0x4000 4C00 - 0x4000 4FFF	UART3
		0x4000 4800 - 0x4000 4BFF	USART2
		0x4000 4400 - 0x4000 47FF	USART1
		0x4000 4000 - 0x4000 43FF	Reserved
		0x4000 3C00 - 0x4000 3FFF	SPI2/I2S2
		0x4000 3800 - 0x4000 3BFF	SPI1/I2S1
		0x4000 3400 - 0x4000 37FF	Reserved
		0x4000 3000 - 0x4000 33FF	FWDGT
		0x4000 2C00 - 0x4000 2FFF	WWDGT
		0x4000 2800 - 0x4000 2BFF	RTC
0x4000 2400 - 0x4000 27FF	Reserved		
0x4000 2000 - 0x4000 23FF	TIMER13		
0x4000 1C00 - 0x4000 1FFF	TIMER12		
0x4000 1800 - 0x4000 1BFF	TIMER11		

Pre-defined Regions	Bus	Address	Peripherals
		0x4000 1400 - 0x4000 17FF	TIMER6
		0x4000 1000 - 0x4000 13FF	TIMER5
		0x4000 0C00 - 0x4000 0FFF	Reserved
		0x4000 0800 - 0x4000 0BFF	TIMER3
		0x4000 0400 - 0x4000 07FF	TIMER2
		0x4000 0000 - 0x4000 03FF	Reserved
SRAM	AHB	0x2007 0000 - 0x3FFF FFFF	Reserved
		0x2006 0000 - 0x2006 FFFF	Reserved
		0x2003 0000 - 0x2005 FFFF	Reserved
		0x2002 0000 - 0x2002 FFFF	Reserved
		0x2001 C000 - 0x2001 FFFF	SRAM
		0x2001 8000 - 0x2001 BFFF	
		0x2000 5000 - 0x2001 7FFF	
0x2000 0000 - 0x2000 4FFF			
Code	AHB	0x1FFF F810 - 0x1FFF FFFF	Reserved
		0x1FFF F800 - 0x1FFF F80F	Option Bytes
		0x1FFF F000 - 0x1FFF F7FF	Boot loader
		0x1FFF C010 - 0x1FFF EFFF	
		0x1FFF C000 - 0x1FFF C00F	
		0x1FFF B000 - 0x1FFF BFFF	
		0x1FFF 7A10 - 0x1FFF AFFF	Reserved
		0x1FFF 7800 - 0x1FFF 7A0F	Reserved
		0x1FFF 0000 - 0x1FFF 77FF	Reserved
		0x1FFE C010 - 0x1FFE FFFF	Reserved
		0x1FFE C000 - 0x1FFE C00F	Reserved
		0x1001 0000 - 0x1FFE BFFF	Reserved
		0x1000 0000 - 0x1000 FFFF	Reserved
		0x083C 0000 - 0x0FFF FFFF	Reserved
		0x0830 0000 - 0x083B FFFF	Reserved
		0x0810 0000 - 0x082F FFFF	Main Flash
		0x0802 0000 - 0x080F FFFF	
		0x0800 0000 - 0x0801 FFFF	
		0x0030 0000 - 0x07FF FFFF	Reserved
		0x0010 0000 - 0x002F FFFF	Aliased to Main Flash or Boot loader
		0x0002 0000 - 0x000F FFFF	
		0x0000 0000 - 0x0001 FFFF	

## 2.5. Clock tree

Figure 2-6. GD32F403xx clock tree



**Legend:**

- HXTAL: High speed crystal oscillator
- LXTAL: Low speed crystal oscillator
- IRC8M: Internal 8M RC oscillators
- IRC40K: Internal 40K RC oscillator
- IRC48M: Internal 48M RC oscillators

## 2.6. Pin definitions

### 2.6.1. GD32F403Zx LQFP144 pin definitions

Table 2-4. GD32F403Zx LQFP144 pin definitions

Pin Name	Pins	Pin Type <sup>(1)</sup>	I/O Level <sup>(2)</sup>	Functions description
PE2	1	I/O	5VT	Default: PE2 Alternate: TRACECK, EXMC_A23
PE3	2	I/O	5VT	Default: PE3 Alternate: TRACED0, EXMC_A19
PE4	3	I/O	5VT	Default: PE4 Alternate: TRACED1, EXMC_A20
PE5	4	I/O	5VT	Default: PE5 Alternate: TRACED2, EXMC_A21 Remap: TIMER8_CH0
PE6	5	I/O	5VT	Default: PE6 Alternate: TRACED3, EXMC_A22 Remap: TIMER8_CH1
V <sub>BAT</sub>	6	P		Default: V <sub>BAT</sub>
PC13-TAMPER-RTC	7	I/O		Default: PC13 Alternate: TAMPER-RTC
PC14-OSC32IN	8	I/O		Default: PC14 Alternate: OSC32IN
PC15-OSC32OUT	9	I/O		Default: PC15 Alternate: OSC32OUT
PF0	10	I/O	5VT	Default: PF0 Alternate: EXMC_A0 Remap: CTC_SYNC
PF1	11	I/O	5VT	Default: PF1 Alternate: EXMC_A1
PF2	12	I/O	5VT	Default: PF2 Alternate: EXMC_A2
PF3	13	I/O	5VT	Default: PF3 Alternate: EXMC_A3
PF4	14	I/O	5VT	Default: PF4 Alternate: EXMC_A4
PF5	15	I/O	5VT	Default: PF5 Alternate: EXMC_A5
V <sub>SS_5</sub>	16	P		Default: V <sub>SS_5</sub>

Pin Name	Pins	Pin Type <sup>(1)</sup>	I/O Level <sup>(2)</sup>	Functions description
V <sub>DD_5</sub>	17	P		Default: V <sub>DD_5</sub>
PF6	18	I/O		Default: PF6 Alternate: ADC2_IN4, EXMC_NIORD Remap: TIMER9_CH0
PF7	19	I/O		Default: PF7 Alternate: ADC2_IN5, EXMC_NREG Remap: TIMER10_CH0
PF8	20	I/O		Default: PF8 Alternate: ADC2_IN6, EXMC_NIOWR Remap: TIMER12_CH0
PF9	21	I/O		Default: PF9 Alternate: ADC2_IN7, EXMC_CD Remap: TIMER13_CH0
PF10	22	I/O		Default: PF10 Alternate: ADC2_IN8, EXMC_INTR
OSCIN	23	I		Default: OSCIN Remap: PD0
OSCOUT	24	O		Default: OSCOUT Remap: PD1
NRST	25	I/O		Default: NRST
PC0	26	I/O		Default: PC0 Alternate: ADC012_IN10
PC1	27	I/O		Default: PC1 Alternate: ADC012_IN11
PC2	28	I/O		Default: PC2 Alternate: ADC012_IN12
PC3	29	I/O		Default: PC3 Alternate: ADC012_IN13
V <sub>SSA</sub>	30	P		Default: V <sub>SSA</sub>
V <sub>REF-</sub>	31	P		Default: V <sub>REF-</sub>
V <sub>REF+</sub>	32	P		Default: V <sub>REF+</sub>
V <sub>DDA</sub>	33	P		Default: V <sub>DDA</sub>
PA0-WKUP	34	I/O		Default: PA0 Alternate: WKUP, USART1_CTS, ADC012_IN0, TIMER7_ETI
PA1	35	I/O		Default: PA1 Alternate: USART1_RTS, ADC012_IN1
PA2	36	I/O		Default: PA2 Alternate: USART1_TX, ADC012_IN2, TIMER8_CH0, SPI0_IO2
PA3	37	I/O		Default: PA3 Alternate: USART1_RX, ADC012_IN3, TIMER8_CH1,

Pin Name	Pins	Pin Type <sup>(1)</sup>	I/O Level <sup>(2)</sup>	Functions description
				SPI0_IO3
V <sub>SS_4</sub>	38	P		Default: V <sub>SS_4</sub>
V <sub>DD_4</sub>	39	P		Default: V <sub>DD_4</sub>
PA4	40	I/O		Default: PA4 Alternate: SPI0_NSS, USART1_CK, ADC01_IN4, DAC_OUT0 Remap: SPI2_NSS, I2S2_WS
PA5	41	I/O		Default: PA5 Alternate: SPI0_SCK, ADC01_IN5, DAC_OUT1
PA6	42	I/O		Default: PA6 Alternate: SPI0_MISO, ADC01_IN6, TIMER2_CH0, TIMER7_BRKIN, TIMER12_CH0 Remap: TIMER0_BRKIN
PA7	43	I/O		Default: PA7 Alternate: SPI0_MOSI, ADC01_IN7, TIMER2_CH1, TIMER7_CH0_ON, TIMER13_CH0 Remap: TIMER0_CH0_ON
PC4	44	I/O		Default: PC4 Alternate: ADC01_IN14
PC5	45	I/O		Default: PC5 Alternate: ADC01_IN15
PB0	46	I/O		Default: PB0 Alternate: ADC01_IN8, TIMER2_CH2, TIMER7_CH1_ON Remap: TIMER0_CH1_ON
PB1	47	I/O		Default: PB1 Alternate: ADC01_IN9, TIMER2_CH3, TIMER7_CH2_ON Remap: TIMER0_CH2_ON
PB2	48	I/O	5VT	Default: PB2, BOOT1
PF11	49	I/O	5VT	Default: PF11 Alternate: EXMC_NIOS16
PF12	50	I/O	5VT	Default: PF12 Alternate: EXMC_A6
V <sub>SS_6</sub>	51	P		Default: V <sub>SS_6</sub>
V <sub>DD_6</sub>	52	P		Default: V <sub>DD_6</sub>
PF13	53	I/O	5VT	Default: PF13 Alternate: EXMC_A7
PF14	54	I/O	5VT	Default: PF14 Alternate: EXMC_A8
PF15	55	I/O	5VT	Default: PF15 Alternate: EXMC_A9



Pin Name	Pins	Pin Type <sup>(1)</sup>	I/O Level <sup>(2)</sup>	Functions description
PG0	56	I/O	5VT	Default: PG0 Alternate: EXMC_A10
PG1	57	I/O	5VT	Default: PG1 Alternate: EXMC_A11
PE7	58	I/O	5VT	Default: PE7 Alternate: EXMC_D4 Remap: TIMER0_ETI
PE8	59	I/O	5VT	Default: PE8 Alternate: EXMC_D5 Remap: TIMER0_CH0_ON
PE9	60	I/O	5VT	Default: PE9 Alternate: EXMC_D6 Remap: TIMER0_CH0
V <sub>SS_7</sub>	61	P		Default: V <sub>SS_7</sub>
V <sub>DD_7</sub>	62	P		Default: V <sub>DD_7</sub>
PE10	63	I/O	5VT	Default: PE10 Alternate: EXMC_D7 Remap: TIMER0_CH1_ON
PE11	64	I/O	5VT	Default: PE11 Alternate: EXMC_D8 Remap: TIMER0_CH1
PE12	65	I/O	5VT	Default: PE12 Alternate: EXMC_D9 Remap: TIMER0_CH2_ON
PE13	66	I/O	5VT	Default: PE13 Alternate: EXMC_D10 Remap: TIMER0_CH2
PE14	67	I/O	5VT	Default: PE14 Alternate: EXMC_D11 Remap: TIMER0_CH3
PE15	68	I/O	5VT	Default: PE15 Alternate: EXMC_D12 Remap: TIMER0_BRKIN
PB10	69	I/O	5VT	Default: PB10 Alternate: I2C1_SCL, USART2_TX
PB11	70	I/O	5VT	Default: PB11 Alternate: I2C1_SDA, USART2_RX
V <sub>SS_1</sub>	71	P		Default: V <sub>SS_1</sub>
V <sub>DD_1</sub>	72	P		Default: V <sub>DD_1</sub>
PB12	73	I/O	5VT	Default: PB12 Alternate: SPI1_NSS, I2C1_SMBA, USART2_CK, TIMER0_BRKIN, I2S1_WS, CAN1_RX

Pin Name	Pins	Pin Type <sup>(1)</sup>	I/O Level <sup>(2)</sup>	Functions description
PB13	74	I/O	5VT	Default: PB13 Alternate: SPI1_SCK, USART2_CTS, TIMER0_CH0_ON, I2S1_CK, CAN1_TX
PB14	75	I/O	5VT	Default: PB14 Alternate: SPI1_MISO, USART2_RTS, TIMER0_CH1_ON, TIMER11_CH0
PB15	76	I/O	5VT	Default: PB15 Alternate: SPI1_MOSI, TIMER0_CH2_ON, I2S1_SD, TIMER11_CH1
PD8	77	I/O	5VT	Default: PD8 Alternate: EXMC_D13 Remap: USART2_TX
PD9	78	I/O	5VT	Default: PD9 Alternate: EXMC_D14 Remap: USART2_RX
PD10	79	I/O	5VT	Default: PD10 Alternate: EXMC_D15 Remap: USART2_CK
PD11	80	I/O	5VT	Default: PD11 Alternate: EXMC_A16 Remap: USART2_CTS
PD12	81	I/O	5VT	Default: PD12 Alternate: EXMC_A17 Remap: TIMER3_CH0, USART2_RTS
PD13	82	I/O	5VT	Default: PD13 Alternate: EXMC_A18 Remap: TIMER3_CH1
V <sub>SS_8</sub>	83	P		Default: V <sub>SS_8</sub>
V <sub>DD_8</sub>	84	P		Default: V <sub>DD_8</sub>
PD14	85	I/O	5VT	Default: PD14 Alternate: EXMC_D0 Remap: TIMER3_CH2
PD15	86	I/O	5VT	Default: PD15 Alternate: EXMC_D1 Remap: TIMER3_CH3, CTC_SYNC
PG2	87	I/O	5VT	Default: PG2 Alternate: EXMC_A12
PG3	88	I/O	5VT	Default: PG3 Alternate: EXMC_A13
PG4	89	I/O	5VT	Default: PG4 Alternate: EXMC_A14
PG5	90	I/O	5VT	Default: PG5 Alternate: EXMC_A15

Pin Name	Pins	Pin Type <sup>(1)</sup>	I/O Level <sup>(2)</sup>	Functions description
PG6	91	I/O	5VT	Default: PG6 Alternate: EXMC_INT1
PG7	92	I/O	5VT	Default: PG7 Alternate: EXMC_INT2
PG8	93	I/O	5VT	Default: PG8
V <sub>SS_9</sub>	94	P		Default: V <sub>SS_9</sub>
V <sub>DD_9</sub>	95	P		Default: V <sub>DD_9</sub>
PC6	96	I/O	5VT	Default: PC6 Alternate: I2S1_MCK, TIMER7_CH0, SDIO_D6 Remap: TIMER2_CH0
PC7	97	I/O	5VT	Default: PC7 Alternate: I2S2_MCK, TIMER7_CH1, SDIO_D7 Remap: TIMER2_CH1
PC8	98	I/O	5VT	Default: PC8 Alternate: TIMER7_CH2, SDIO_D0 Remap: TIMER2_CH2
PC9	99	I/O	5VT	Default: PC9 Alternate: TIMER7_CH3, SDIO_D1 Remap: TIMER2_CH3
PA8	100	I/O	5VT	Default: PA8 Alternate: USART0_CK, TIMER0_CH0, CK_OUT0, USBFS_SOF,CTC_SYNC
PA9	101	I/O	5VT	Default: PA9 Alternate: USART0_TX, TIMER0_CH1,USBFS_VBUS
PA10	102	I/O	5VT	Default: PA10 Alternate: USART0_RX, TIMER0_CH2,USBFS_ID
PA11	103	I/O	5VT	Default: PA11 Alternate: USART0_CTS, CAN0_RX, USBFS_DM, TIMER0_CH3
PA12	104	I/O	5VT	Default: PA12 Alternate: USART0_RTS, CAN0_TX, TIMER0_ETI, USBFS_DP
PA13	105	I/O	5VT	Default: JTMS, SWDIO Remap: PA13
NC	106	-		-
V <sub>SS_2</sub>	107	P		Default: V <sub>SS_2</sub>
V <sub>DD_2</sub>	108	P		Default: V <sub>DD_2</sub>
PA14	109	I/O	5VT	Default: JTCK, SWCLK Remap: PA14
PA15	110	I/O	5VT	Default: JTDI Alternate: SPI2_NSS, I2S2_WS Remap: PA15, SPI0_NSS

Pin Name	Pins	Pin Type <sup>(1)</sup>	I/O Level <sup>(2)</sup>	Functions description
PC10	111	I/O	5VT	Default: PC10 Alternate: UART3_TX, SDIO_D2 Remap: USART2_TX, SPI2_SCK, I2S2_CK
PC11	112	I/O	5VT	Default: PC11 Alternate: UART3_RX, SDIO_D3 Remap: USART2_RX, SPI2_MISO
PC12	113	I/O	5VT	Default: PC12 Alternate: UART4_TX, SDIO_CK Remap: USART2_CK, SPI2_MOSI, I2S2_SD
PD0	114	I/O	5VT	Default: PD0 Alternate: EXMC_D2 Remap: CAN0_RX, OSCIN
PD1	115	I/O	5VT	Default: PD1 Alternate: EXMC_D3 Remap: CAN0_TX, OSCOUT
PD2	116	I/O	5VT	Default: PD2 Alternate: TIMER2_ETI, SDIO_CMD, UART4_RX
PD3	117	I/O	5VT	Default: PD3 Alternate: EXMC_CLK Remap: USART1_CTS
PD4	118	I/O	5VT	Default: PD4 Alternate: EXMC_NOE Remap: USART1_RTS
PD5	119	I/O	5VT	Default: PD5 Alternate: EXMC_NWE Remap: USART1_TX
V <sub>SS_10</sub>	120	P		Default: V <sub>SS_10</sub>
V <sub>DD_10</sub>	121	P		Default: V <sub>DD_10</sub>
PD6	122	I/O	5VT	Default: PD6 Alternate: EXMC_NWAIT Remap: USART1_RX
PD7	123	I/O	5VT	Default: PD7 Alternate: EXMC_NE0, EXMC_NCE1 Remap: USART1_CK
PG9	124	I/O	5VT	Default: PG9 Alternate: EXMC_NE1, EXMC_NCE2
PG10	125	I/O	5VT	Default: PG10 Alternate: EXMC_NCE3_0, EXMC_NE2
PG11	126	I/O	5VT	Default: PG11 Alternate: EXMC_NCE3_1
PG12	127	I/O	5VT	Default: PG12 Alternate: EXMC_NE3
PG13	128	I/O	5VT	Default: PG13

Pin Name	Pins	Pin Type <sup>(1)</sup>	I/O Level <sup>(2)</sup>	Functions description
				Alternate: EXMC_A24
PG14	129	I/O	5VT	Default: PG14 Alternate: EXMC_A25
V <sub>SS_11</sub>	130	P		Default: V <sub>SS_11</sub>
V <sub>DD_11</sub>	131	P		Default: V <sub>DD_11</sub>
PG15	132	I/O	5VT	Default: PG15
PB3	133	I/O	5VT	Default: JTDO Alternate: SPI2_SCK, I2S2_CK Remap: PB3, TRACESWO, SPI0_SCK
PB4	134	I/O	5VT	Default: NJTRST Alternate: SPI2_MISO Remap: TIMER2_CH0, PB4, SPI0_MISO
PB5	135	I/O		Default: PB5 Alternate: I2C0_SMBA, SPI2_MOSI, I2S2_SD Remap: TIMER2_CH1, SPI0_MOSI, CAN1_RX
PB6	136	I/O	5VT	Default: PB6 Alternate: I2C0_SCL, TIMER3_CH0 Remap: USART0_TX, CAN1_TX, SPI0_IO2
PB7	137	I/O	5VT	Default: PB7 Alternate: I2C0_SDA, TIMER3_CH1, EXMC_NADV Remap: USART0_RX, SPI0_IO3
BOOT0	138	I		Default: BOOT0
PB8	139	I/O	5VT	Default: PB8 Alternate: TIMER3_CH2, SDIO_D4, TIMER9_CH0 Remap: I2C0_SCL, CAN0_RX
PB9	140	I/O	5VT	Default: PB9 Alternate: TIMER3_CH3, SDIO_D5, TIMER10_CH0 Remap: I2C0_SDA, CAN0_TX
PE0	141	I/O	5VT	Default: PE0 Alternate: TIMER3_ETI, EXMC_NBL0
PE1	142	I/O	5VT	Default: PE1 Alternate: EXMC_NBL1
V <sub>SS_3</sub>	143	P		Default: V <sub>SS_3</sub>
V <sub>DD_3</sub>	144	P		Default: V <sub>DD_3</sub>

**Notes:**

(1)Type: I = input, O = output, P = power.

(2)I/O Level: 5VT = 5 V tolerant.

## 2.6.2. GD32F403Vx LQFP100 pin definitions

**Table 2-5. GD32F403Vx LQFP100 pin definitions**

Pin Name	Pins	Pin Type <sup>(1)</sup>	I/O Level <sup>(2)</sup>	Functions description
PE2	1	I/O	5VT	Default: PE2 Alternate: TRACECK, EXMC_A23
PE3	2	I/O	5VT	Default: PE3 Alternate: TRACED0, EXMC_A19
PE4	3	I/O	5VT	Default: PE4 Alternate: TRACED1, EXMC_A20
PE5	4	I/O	5VT	Default: PE5 Alternate: TRACED2, EXMC_A21 Remap: TIMER8_CH0
PE6	5	I/O	5VT	Default: PE6 Alternate: TRACED3, EXMC_A22 Remap: TIMER8_CH1
V <sub>BAT</sub>	6	P		Default: V <sub>BAT</sub>
PC13- TAMPER- RTC	7	I/O		Default: PC13 Alternate: TAMPER-RTC
PC14- OSC32IN	8	I/O		Default: PC14 Alternate: OSC32IN
PC15- OSC32OU T	9	I/O		Default: PC15 Alternate: OSC32OUT
V <sub>SS_5</sub>	10	P		Default: V <sub>SS_5</sub>
V <sub>DD_5</sub>	11	P		Default: V <sub>DD_5</sub>
OSCIN	12	I		Default: OSCIN Remap: PD0
OSCOU	13	O		Default: OSCOUT Remap: PD1
NRST	14	I/O		Default: NRST
PC0	15	I/O		Default: PC0 Alternate: ADC012_IN10
PC1	16	I/O		Default: PC1 Alternate: ADC012_IN11
PC2	17	I/O		Default: PC2 Alternate: ADC012_IN12
PC3	18	I/O		Default: PC3 Alternate: ADC012_IN13
V <sub>SSA</sub>	19	P		Default: V <sub>SSA</sub>
V <sub>REF-</sub>	20	P		Default: V <sub>REF-</sub>

Pin Name	Pins	Pin Type <sup>(1)</sup>	I/O Level <sup>(2)</sup>	Functions description
V <sub>REF+</sub>	21	P		Default: V <sub>REF+</sub>
V <sub>DDA</sub>	22	P		Default: V <sub>DDA</sub>
PA0-WKUP	23	I/O		Default: PA0 Alternate: WKUP, USART1_CTS, ADC012_IN0, TIMER7_ETI
PA1	24	I/O		Default: PA1 Alternate: USART1_RTS, ADC012_IN1
PA2	25	I/O		Default: PA2 Alternate: USART1_TX, ADC012_IN2, TIMER8_CH0, SPI0_IO2
PA3	26	I/O		Default: PA3 Alternate: USART1_RX, ADC012_IN3, TIMER8_CH1, SPI0_IO3
V <sub>SS_4</sub>	27	P		Default: V <sub>SS_4</sub>
V <sub>DD_4</sub>	28	P		Default: V <sub>DD_4</sub>
PA4	29	I/O		Default: PA4 Alternate: SPI0_NSS, USART1_CK, ADC01_IN4, DAC_OUT0 Remap: SPI2_NSS, I2S2_WS
PA5	30	I/O		Default: PA5 Alternate: SPI0_SCK, ADC01_IN5, DAC_OUT1
PA6	31	I/O		Default: PA6 Alternate: SPI0_MISO, ADC01_IN6, TIMER2_CH0, TIMER7_BRKIN, TIMER12_CH0 Remap: TIMER0_BRKIN
PA7	32	I/O		Default: PA7 Alternate: SPI0_MOSI, ADC01_IN7, TIMER2_CH1, TIMER7_CH0_ON, TIMER13_CH0 Remap: TIMER0_CH0_ON
PC4	33	I/O		Default: PC4 Alternate: ADC01_IN14
PC5	34	I/O		Default: PC5 Alternate: ADC01_IN15
PB0	35	I/O		Default: PB0 Alternate: ADC01_IN8, TIMER2_CH2 TIMER7_CH1_ON Remap: TIMER0_CH1_ON
PB1	36	I/O		Default: PB1 Alternate: ADC01_IN9, TIMER2_CH3, TIMER7_CH2_ON Remap: TIMER0_CH2_ON
PB2	37	I/O	5VT	Default: PB2, BOOT1

Pin Name	Pins	Pin Type <sup>(1)</sup>	I/O Level <sup>(2)</sup>	Functions description
PE7	38	I/O	5VT	Default: PE7 Alternate: EXMC_D4 Remap: TIMER0_ETI
PE8	39	I/O	5VT	Default: PE8 Alternate: EXMC_D5 Remap: TIMER0_CH0_ON
PE9	40	I/O	5VT	Default: PE9 Alternate: EXMC_D6 Remap: TIMER0_CH0
PE10	41	I/O	5VT	Default: PE10 Alternate: EXMC_D7 Remap: TIMER0_CH1_ON
PE11	42	I/O	5VT	Default: PE11 Alternate: EXMC_D8 Remap: TIMER0_CH1
PE12	43	I/O	5VT	Default: PE12 Alternate: EXMC_D9 Remap: TIMER0_CH2_ON
PE13	44	I/O	5VT	Default: PE13 Alternate: EXMC_D10 Remap: TIMER0_CH2
PE14	45	I/O	5VT	Default: PE14 Alternate: EXMC_D11 Remap: TIMER0_CH3
PE15	46	I/O	5VT	Default: PE15 Alternate: EXMC_D12 Remap: TIMER0_BRKIN
PB10	47	I/O	5VT	Default: PB10 Alternate: I2C1_SCL, USART2_TX
PB11	48	I/O	5VT	Default: PB11 Alternate: I2C1_SDA, USART2_RX
V <sub>SS_1</sub>	49	P		Default: V <sub>SS_1</sub>
V <sub>DD_1</sub>	50	P		Default: V <sub>DD_1</sub>
PB12	51	I/O	5VT	Default: PB12 Alternate: SPI1_NSS, I2C1_SMBA, USART2_CK, TIMER0_BRKIN, I2S1_WS,CAN1_RX
PB13	52	I/O	5VT	Default: PB13 Alternate: SPI1_SCK, USART2_CTS, TIMER0_CH0_ON, I2S1_CK,CAN1_TX
PB14	53	I/O	5VT	Default: PB14 Alternate: SPI1_MISO, USART2_RTS, TIMER0_CH1_ON, TIMER11_CH0
PB15	54	I/O	5VT	Default: PB15



Pin Name	Pins	Pin Type <sup>(1)</sup>	I/O Level <sup>(2)</sup>	Functions description
				Alternate: SPI1_MOSI, TIMER0_CH2_ON, I2S1_SD, TIMER11_CH1
PD8	55	I/O	5VT	Default: PD8 Alternate: EXMC_D13 Remap: USART2_TX
PD9	56	I/O	5VT	Default: PD9 Alternate: EXMC_D14 Remap: USART2_RX
PD10	57	I/O	5VT	Default: PD10 Alternate: EXMC_D15 Remap: USART2_CK
PD11	58	I/O	5VT	Default: PD11 Alternate: EXMC_A16 Remap: USART2_CTS
PD12	59	I/O	5VT	Default: PD12 Alternate: EXMC_A17 Remap: TIMER3_CH0, USART2_RTS
PD13	60	I/O	5VT	Default: PD13 Alternate: EXMC_A18 Remap: TIMER3_CH1
PD14	61	I/O	5VT	Default: PD14 Alternate: EXMC_D0 Remap: TIMER3_CH2
PD15	62	I/O	5VT	Default: PD15 Alternate: EXMC_D1 Remap: TIMER3_CH3, CTC_SYNC
PC6	63	I/O	5VT	Default: PC6 Alternate: I2S1_MCK, TIMER7_CH0, SDIO_D6 Remap: TIMER2_CH0
PC7	64	I/O	5VT	Default: PC7 Alternate: I2S2_MCK, TIMER7_CH1, SDIO_D7 Remap: TIMER2_CH1
PC8	65	I/O	5VT	Default: PC8 Alternate: TIMER7_CH2, SDIO_D0 Remap: TIMER2_CH2
PC9	66	I/O	5VT	Default: PC9 Alternate: TIMER7_CH3, SDIO_D1 Remap: TIMER2_CH3
PA8	67	I/O	5VT	Default: PA8 Alternate: USART0_CK, TIMER0_CH0, CK_OUT0, USBFS_SOF, CTC_SYNC
PA9	68	I/O	5VT	Default: PA9 Alternate: USART0_TX, TIMER0_CH1, USBFS_VBUS

Pin Name	Pins	Pin Type <sup>(1)</sup>	I/O Level <sup>(2)</sup>	Functions description
PA10	69	I/O	5VT	Default: PA10 Alternate: USART0_RX, TIMER0_CH2, USBFS_ID
PA11	70	I/O	5VT	Default: PA11 Alternate: USART0_CTS, CAN0_RX, USBFS_DM, TIMER0_CH3
PA12	71	I/O	5VT	Default: PA12 Alternate: USART0_RTS, USBFS_DP, CAN0_TX, TIMER0_ETI
PA13	72	I/O	5VT	Default: JTMS, SWDIO Remap: PA13
NC	73	-	-	-
V <sub>SS_2</sub>	74	P		Default: V <sub>SS_2</sub>
V <sub>DD_2</sub>	75	P		Default: V <sub>DD_2</sub>
PA14	76	I/O	5VT	Default: JTCK, SWCLK Remap: PA14
PA15	77	I/O	5VT	Default: JTDI Alternate: SPI2_NSS, I2S2_WS Remap: PA15, SPI0_NSS
PC10	78	I/O	5VT	Default: PC10 Alternate: UART3_TX, SDIO_D2 Remap: USART2_TX, SPI2_SCK, I2S2_CK
PC11	79	I/O	5VT	Default: PC11 Alternate: UART3_RX, SDIO_D3 Remap: USART2_RX, SPI2_MISO
PC12	80	I/O	5VT	Default: PC12 Alternate: UART4_TX, SDIO_CK Remap: USART2_CK, SPI2_MOSI, I2S2_SD
PD0	81	I/O	5VT	Default: PD0 Alternate: EXMC_D2 Remap: CAN0_RX, OSCIN
PD1	82	I/O	5VT	Default: PD1 Alternate: EXMC_D3 Remap: CAN0_TX, OSCOUT
PD2	83	I/O	5VT	Default: PD2 Alternate: TIMER2_ETI, SDIO_CMD, UART4_RX
PD3	84	I/O	5VT	Default: PD3 Alternate: EXMC_CLK Remap: USART1_CTS
PD4	85	I/O	5VT	Default: PD4 Alternate: EXMC_NOE Remap: USART1_RTS
PD5	86	I/O	5VT	Default: PD5 Alternate: EXMC_NWE

Pin Name	Pins	Pin Type <sup>(1)</sup>	I/O Level <sup>(2)</sup>	Functions description
				Remap: USART1_TX
PD6	87	I/O	5VT	Default: PD6 Alternate: EXMC_NWAIT Remap: USART1_RX
PD7	88	I/O	5VT	Default: PD7 Alternate: EXMC_NE0, EXMC_NCE1 Remap: USART1_CK
PB3	89	I/O	5VT	Default: JTDO Alternate: SPI2_SCK, I2S2_CK Remap: PB3, TRACESWO, SPI0_SCK
PB4	90	I/O	5VT	Default: NJTRST Alternate: SPI2_MISO Remap: TIMER2_CH0, PB4, SPI0_MISO
PB5	91	I/O		Default: PB5 Alternate: I2C0_SMBA, SPI2_MOSI, I2S2_SD Remap: TIMER2_CH1, SPI0_MOSI, CAN1_RX
PB6	92	I/O	5VT	Default: PB6 Alternate: I2C0_SCL, TIMER3_CH0 Remap: USART0_TX, SPI0_IO2, CAN1_TX
PB7	93	I/O	5VT	Default: PB7 Alternate: I2C0_SDA, TIMER3_CH1, EXMC_NADV Remap: USART0_RX, SPI0_IO3
BOOT0	94	I		Default: BOOT0
PB8	95	I/O	5VT	Default: PB8 Alternate: TIMER3_CH2, SDIO_D4, TIMER9_CH0 Remap: I2C0_SCL, CAN0_RX
PB9	96	I/O	5VT	Default: PB9 Alternate: TIMER3_CH3, SDIO_D5, TIMER10_CH0 Remap: I2C0_SDA, CAN0_TX
PE0	97	I/O	5VT	Default: PE0 Alternate: TIMER3_ETI, EXMC_NBL0
PE1	98	I/O	5VT	Default: PE1 Alternate: EXMC_NBL1
V <sub>SS_3</sub>	99	P		Default: V <sub>SS_3</sub>
V <sub>DD_3</sub>	100	P		Default: V <sub>DD_3</sub>

**Notes:**

(1)Type: I = input, O = output, P = power.

(2)I/O Level: 5VT = 5 V tolerant.

### 2.6.3. GD32F403Rx LQFP64 pin definitions

**Table 2-6. GD32F403Rx LQFP64 pin definitions**

Pin Name	Pins	Pin Type <sup>(1)</sup>	I/O Level <sup>(2)</sup>	Functions description
V <sub>BAT</sub>	1	P		Default: V <sub>BAT</sub>
PC13-TAMPER-RTC	2	I/O		Default: PC13 Alternate: TAMPER-RTC
PC14-OSC32IN	3	I/O		Default: PC14 Alternate: OSC32IN
PC15-OSC32OUT	4	I/O		Default: PC15 Alternate: OSC32OUT
OSCIN	5	I		Default: OSCIN Remap: PD0 <sup>(3)</sup>
OSCOUT	6	O		Default: OSCOUT Remap: PD1 <sup>(3)</sup>
NRST	7	I/O		Default: NRST
PC0	8	I/O		Default: PC0 Alternate: ADC012_IN10
PC1	9	I/O		Default: PC1 Alternate: ADC012_IN11
PC2	10	I/O		Default: PC2 Alternate: ADC012_IN12
PC3	11	I/O		Default: PC3 Alternate: ADC012_IN13
V <sub>SSA</sub>	12	P		Default: V <sub>SSA</sub>
V <sub>DDA</sub>	13	P		Default: V <sub>DDA</sub>
PA0-WKUP	14	I/O		Default: PA0 Alternate: WKUP, USART1_CTS, ADC012_IN0, TIMER7_ETI
PA1	15	I/O		Default: PA1 Alternate: USART1_RTS, ADC012_IN1
PA2	16	I/O		Default: PA2 Alternate: USART1_TX, ADC012_IN2, TIMER8_CH0, SPI0_IO2
PA3	17	I/O		Default: PA3 Alternate: USART1_RX, ADC012_IN3, TIMER8_CH1, SPI0_IO3
V <sub>SS_4</sub>	18	P		Default: V <sub>SS_4</sub>
V <sub>DD_4</sub>	19	P		Default: V <sub>DD_4</sub>
PA4	20	I/O		Default: PA4

Pin Name	Pins	Pin Type <sup>(1)</sup>	I/O Level <sup>(2)</sup>	Functions description
				Alternate: SPI0_NSS, USART1_CK, ADC01_IN4, DAC_OUT0 Remap: SPI2_NSS, I2S2_WS
PA5	21	I/O		Default: PA5 Alternate: SPI0_SCK, ADC01_IN5, DAC_OUT1
PA6	22	I/O		Default: PA6 Alternate: SPI0_MISO, ADC01_IN6, TIMER2_CH0, TIMER7_BRKIN, TIMER12_CH0 Remap: TIMER0_BRKIN
PA7	23	I/O		Default: PA7 Alternate: SPI0_MOSI, ADC01_IN7, TIMER2_CH1, TIMER7_CH0_ON, TIMER13_CH0 Remap: TIMER0_CH0_ON
PC4	24	I/O		Default: PC4 Alternate: ADC01_IN14
PC5	25	I/O		Default: PC5 Alternate: ADC01_IN15
PB0	26	I/O		Default: PB0 Alternate: ADC01_IN8, TIMER2_CH2, TIMER7_CH1_ON Remap: TIMER0_CH1_ON
PB1	27	I/O		Default: PB1 Alternate: ADC01_IN9, TIMER2_CH3, TIMER7_CH2_ON Remap: TIMER0_CH2_ON
PB2	28	I/O	5VT	Default: PB2, BOOT1
PB10	29	I/O	5VT	Default: PB10 Alternate: I2C1_SCL, USART2_TX
PB11	30	I/O	5VT	Default: PB11 Alternate: I2C1_SDA, USART2_RX
V <sub>SS_1</sub>	31	P		Default: V <sub>SS_1</sub>
V <sub>DD_1</sub>	32	P		Default: V <sub>DD_1</sub>
PB12	33	I/O	5VT	Default: PB12 Alternate: SPI1_NSS, I2C1_SMBA, USART2_CK, TIMER0_BRKIN, I2S1_WS, CAN1_RX
PB13	34	I/O	5VT	Default: PB13 Alternate: SPI1_SCK, USART2_CTS, TIMER0_CH0_ON, I2S1_CK, CAN1_TX
PB14	35	I/O	5VT	Default: PB14 Alternate: SPI1_MISO, USART2_RTS, TIMER0_CH1_ON, TIMER11_CH0
PB15	36	I/O	5VT	Default: PB15 Alternate: SPI1_MOSI, TIMER0_CH2_ON, I2S1_SD,

Pin Name	Pins	Pin Type <sup>(1)</sup>	I/O Level <sup>(2)</sup>	Functions description
				TIMER11_CH1
PC6	37	I/O	5VT	Default: PC6 Alternate: I2S1_MCK, TIMER7_CH0, SDIO_D6 Remap: TIMER2_CH0
PC7	38	I/O	5VT	Default: PC7 Alternate: I2S2_MCK, TIMER7_CH1, SDIO_D7 Remap: TIMER2_CH1
PC8	39	I/O	5VT	Default: PC8 Alternate: TIMER7_CH2, SDIO_D0 Remap: TIMER2_CH2
PC9	40	I/O	5VT	Default: PC9 Alternate: TIMER7_CH3, SDIO_D1 Remap: TIMER2_CH3
PA8	41	I/O	5VT	Default: PA8 Alternate: USART0_CK, TIMER0_CH0, CK_OUT0, USBFS_SOF, CTC_SYNC
PA9	42	I/O	5VT	Default: PA9 Alternate: USART0_TX, TIMER0_CH1, USBFS_VBUS
PA10	43	I/O	5VT	Default: PA10 Alternate: USART0_RX, TIMER0_CH2, USBFS_ID
PA11	44	I/O	5VT	Default: PA11 Alternate: USART0_CTS, CAN0_RX, USBFS_DM, TIMER0_CH3
PA12	45	I/O	5VT	Default: PA12 Alternate: USART0_RTS, CAN0_TX, TIMER0_ETI, USBFS_DP
PA13	46	I/O	5VT	Default: JTMS, SWDIO Remap: PA13
V <sub>SS_2</sub>	47	P		Default: V <sub>SS_2</sub>
V <sub>DD_2</sub>	48	P		Default: V <sub>DD_2</sub>
PA14	49	I/O	5VT	Default: JTCK, SWCLK Remap: PA14
PA15	50	I/O	5VT	Default: JTDI Alternate: SPI2_NSS, I2S2_WS Remap: PA15, SPI0_NSS
PC10	51	I/O	5VT	Default: PC10 Alternate: UART3_TX, SDIO_D2 Remap: USART2_TX, SPI2_SCK, I2S2_CK
PC11	52	I/O	5VT	Default: PC11 Alternate: UART3_RX, SDIO_D3 Remap: USART2_RX, SPI2_MISO
PC12	53	I/O	5VT	Default: PC12

Pin Name	Pins	Pin Type <sup>(1)</sup>	I/O Level <sup>(2)</sup>	Functions description
				Alternate: UART4_TX, SDIO_CK Remap: USART2_CK, SPI2_MOSI, I2S2_SD
PD2	54	I/O	5VT	Default: PD2 Alternate: TIMER2_ETI, SDIO_CMD, UART4_RX
PB3	55	I/O	5VT	Default: JTDO Alternate: SPI2_SCK, I2S2_CK Remap: PB3, TRACESWO, SPI0_SCK
PB4	56	I/O	5VT	Default: NJTRST Alternate: SPI2_MISO Remap: TIMER2_CH0, PB4, SPI0_MISO
PB5	57	I/O		Default: PB5 Alternate: I2C0_SMBA, SPI2_MOSI, I2S2_SD Remap: TIMER2_CH1, SPI0_MOSI, CAN1_RX
PB6	58	I/O	5VT	Default: PB6 Alternate: I2C0_SCL, TIMER3_CH0 Remap: USART0_TX, SPI0_IO2, CNA1_TX
PB7	59	I/O	5VT	Default: PB7 Alternate: I2C0_SDA, TIMER3_CH1 Remap: USART0_RX, SPI0_IO3
BOOT0	60	I		Default: BOOT0
PB8	61	I/O	5VT	Default: PB8 Alternate: TIMER3_CH2, SDIO_D4, TIMER9_CH0 Remap: I2C0_SCL, CAN0_RX
PB9	62	I/O	5VT	Default: PB9 Alternate: TIMER3_CH3, SDIO_D5, TIMER10_CH0 Remap: I2C0_SDA, CAN0_TX
V <sub>SS_3</sub>	63	P		Default: V <sub>SS_3</sub>
V <sub>DD_3</sub>	64	P		Default: V <sub>DD_3</sub>

**Notes:**

(1)Type: I = input, O = output, P = power.

(2)I/O Level: 5VT = 5 V tolerant.

(3)PD0/PD1 cannot be used for EXTI in this package.

## 2.6.4. GD32F403Vx BGA100 pin definitions

**Table 2-7. GD32F403Vx BGA100 pin definitions**

Pin Name	Pins	Pin Type <sup>(1)</sup>	I/O Level <sup>(2)</sup>	Functions description
PE2	B2	I/O	5VT	Default: PE2 Alternate: TRACECK, EXMC_A23
PE3	A1	I/O	5VT	Default: PE3 Alternate: TRACED0, EXMC_A19
PE4	B1	I/O	5VT	Default: PE4 Alternate: TRACED1, EXMC_A20
PE5	C2	I/O	5VT	Default: PE5 Alternate: TRACED2, EXMC_A21 Remap: TIMER8_CH0
PE6	D2	I/O	5VT	Default: PE6 Alternate: TRACED3, EXMC_A22 Remap: TIMER8_CH1
V <sub>BAT</sub>	E2	P		Default: V <sub>BAT</sub>
PC13- TAMPER- RTC	C1	I/O		Default: PC13 Alternate: TAMPER-RTC
PC14- OSC32IN	D1	I/O		Default: PC14 Alternate: OSC32IN
PC15- OSC32OU T	E1	I/O		Default: PC15 Alternate: OSC32OUT
V <sub>SS_5</sub>	F2	P		Default: V <sub>SS_5</sub>
V <sub>DD_5</sub>	G2	P		Default: V <sub>DD_5</sub>
OSCIN	F1	I		Default: OSCIN Remap: PD0
OSCOU	G1	O		Default: OSCOUT Remap: PD1
NRST	H2	I/O		Default: NRST
PC0	H1	I/O		Default: PC0 Alternate: ADC012_IN10
PC1	J2	I/O		Default: PC1 Alternate: ADC012_IN11
PC2	J3	I/O		Default: PC2 Alternate: ADC012_IN12
PC3	K2	I/O		Default: PC3 Alternate: ADC012_IN13
V <sub>SSA</sub>	J1	P		Default: V <sub>SSA</sub>
V <sub>REF-</sub>	K1	P		Default: V <sub>REF-</sub>



Pin Name	Pins	Pin Type <sup>(1)</sup>	I/O Level <sup>(2)</sup>	Functions description
V <sub>REF+</sub>	L1	P		Default: V <sub>REF+</sub>
V <sub>DDA</sub>	M1	P		Default: V <sub>DDA</sub>
PA0-WKUP	L2	I/O		Default: PA0 Alternate: WKUP, USART1_CTS, ADC012_IN0, TIMER7_ETI
PA1	M2	I/O		Default: PA1 Alternate: USART1_RTS, ADC012_IN1
PA2	K3	I/O		Default: PA2 Alternate: USART1_TX, ADC012_IN2, TIMER8_CH0, SPI0_IO2
PA3	L3	I/O		Default: PA3 Alternate: USART1_RX, ADC012_IN3, TIMER8_CH1, SPI0_IO3
V <sub>SS_4</sub>	E3	P		Default: V <sub>SS_4</sub>
V <sub>DD_4</sub>	H3	P		Default: V <sub>DD_4</sub>
PA4	M3	I/O		Default: PA4 Alternate: SPI0_NSS, USART1_CK, ADC01_IN4, DAC_OUT0 Remap: SPI2_NSS, I2S2_WS
PA5	K4	I/O		Default: PA5 Alternate: SPI0_SCK, ADC01_IN5, DAC_OUT1
PA6	L4	I/O		Default: PA6 Alternate: SPI0_MISO, ADC01_IN6, TIMER2_CH0, TIMER7_BRKIN, TIMER12_CH0 Remap: TIMER0_BRKIN
PA7	M4	I/O		Default: PA7 Alternate: SPI0_MOSI, ADC01_IN7, TIMER2_CH1, TIMER7_CH0_ON, TIMER13_CH0 Remap: TIMER0_CH0_ON
PC4	K5	I/O		Default: PC4 Alternate: ADC01_IN14
PC5	L5	I/O		Default: PC5 Alternate: ADC01_IN15
PB0	M5	I/O		Default: PB0 Alternate: ADC01_IN8, TIMER2_CH2, TIMER7_CH1_ON Remap: TIMER0_CH1_ON
PB1	M6	I/O		Default: PB1 Alternate: ADC01_IN9, TIMER2_CH3, TIMER7_CH2_ON Remap: TIMER0_CH2_ON
PB2	L6	I/O	5VT	Default: PB2, BOOT1

Pin Name	Pins	Pin Type <sup>(1)</sup>	I/O Level <sup>(2)</sup>	Functions description
PE7	M7	I/O	5VT	Default: PE7 Alternate: EXMC_D4 Remap: TIMER0_ETI
PE8	L7	I/O	5VT	Default: PE8 Alternate: EXMC_D5 Remap: TIMER0_CH0_ON
PE9	M8	I/O	5VT	Default: PE9 Alternate: EXMC_D6 Remap: TIMER0_CH0
PE10	L8	I/O	5VT	Default: PE10 Alternate: EXMC_D7 Remap: TIMER0_CH1_ON
PE11	M9	I/O	5VT	Default: PE11 Alternate: EXMC_D8 Remap: TIMER0_CH1
PE12	L9	I/O	5VT	Default: PE12 Alternate: EXMC_D9 Remap: TIMER0_CH2_ON
PE13	M10	I/O	5VT	Default: PE13 Alternate: EXMC_D10 Remap: TIMER0_CH2
PE14	M11	I/O	5VT	Default: PE14 Alternate: EXMC_D11 Remap: TIMER0_CH3
PE15	M12	I/O	5VT	Default: PE15 Alternate: EXMC_D12 Remap: TIMER0_BRKIN
PB10	L10	I/O	5VT	Default: PB10 Alternate: I2C1_SCL, USART2_TX Remap: TIMER1_CH2
PB11	K9	I/O	5VT	Default: PB11 Alternate: I2C1_SDA, USART2_RX Remap: TIMER1_CH3
V <sub>SS_1</sub>	F12	P		Default: V <sub>SS_1</sub>
V <sub>DD_1</sub>	G12	P		Default: V <sub>DD_1</sub>
PB12	L12	I/O	5VT	Default: PB12 Alternate: SPI1_NSS, I2C1_SMBA, USART2_CK, TIMER0_BRKIN, I2S1_WS, CAN1_RX
PB13	K12	I/O	5VT	Default: PB13 Alternate: SPI1_SCK, USART2_CTS, TIMER0_CH0_ON, I2S1_CK, CAN1_TX
PB14	K11	I/O	5VT	Default: PB14 Alternate: SPI1_MISO, USART2_RTS,

Pin Name	Pins	Pin Type <sup>(1)</sup>	I/O Level <sup>(2)</sup>	Functions description
				TIMER0_CH1_ON, TIMER11_CH0
PB15	K10	I/O	5VT	Default: PB15 Alternate: SPI1_MOSI, TIMER0_CH2_ON, I2S1_SD, TIMER11_CH1
PD8	L11	I/O	5VT	Default: PD8 Alternate: EXMC_D13 Remap: USART2_TX
PD9	K8	I/O	5VT	Default: PD9 Alternate: EXMC_D14 Remap: USART2_RX
PD10	J12	I/O	5VT	Default: PD10 Alternate: EXMC_D15 Remap: USART2_CK
PD11	J11	I/O	5VT	Default: PD11 Alternate: EXMC_A16 Remap: USART2_CTS
PD12	J10	I/O	5VT	Default: PD12 Alternate: EXMC_A17 Remap: TIMER3_CH0, USART2_RTS
PD13	H12	I/O	5VT	Default: PD13 Alternate: EXMC_A18 Remap: TIMER3_CH1
PD14	H11	I/O	5VT	Default: PD14 Alternate: EXMC_D0 Remap: TIMER3_CH2
PD15	H10	I/O	5VT	Default: PD15 Alternate: EXMC_D1 Remap: TIMER3_CH3, CTC_SYNC
PC6	E12	I/O	5VT	Default: PC6 Alternate: I2S1_MCK, TIMER7_CH0, SDIO_D6 Remap: TIMER2_CH0
PC7	E11	I/O	5VT	Default: PC7 Alternate: I2S2_MCK, TIMER7_CH1, SDIO_D7 Remap: TIMER2_CH1
PC8	E10	I/O	5VT	Default: PC8 Alternate: TIMER7_CH2, SDIO_D0 Remap: TIMER2_CH2
PC9	D12	I/O	5VT	Default: PC9 Alternate: TIMER7_CH3, SDIO_D1 Remap: TIMER2_CH3
PA8	D11	I/O	5VT	Default: PA8 Alternate: USART0_CK, TIMER0_CH0, CK_OUT0, USBFS_SOF, CTC_SYNC

Pin Name	Pins	Pin Type <sup>(1)</sup>	I/O Level <sup>(2)</sup>	Functions description
PA9	D10	I/O	5VT	Default: PA9 Alternate: USART0_TX, TIMER0_CH1, USBFS_VBUS
PA10	C12	I/O	5VT	Default: PA10 Alternate: USART0_RX, TIMER0_CH2, USBFS_ID
PA11	B12	I/O	5VT	Default: PA11 Alternate: USART0_CTS, CAN0_RX, USBFS_DM, TIMER0_CH3
PA12	A12	I/O	5VT	Default: PA12 Alternate: USART0_RTS, CAN0_TX, TIMER0_ET1, USBFS_DP
PA13	A11	I/O	5VT	Default: JTMS, SWDIO Remap: PA13
NC	C11	-		-
V <sub>SS_2</sub>	F11	P		Default: V <sub>SS_2</sub>
V <sub>DD_2</sub>	G11	P		Default: V <sub>DD_2</sub>
PA14	A10	I/O	5VT	Default: JTCK, SWCLK Remap: PA14
PA15	A9	I/O	5VT	Default: JTDI Alternate: SPI2_NSS, I2S2_WS Remap: PA15, SPI0_NSS
PC10	B11	I/O	5VT	Default: PC10 Alternate: UART3_TX, SDIO_D2 Remap: USART2_TX, SPI2_SCK, I2S2_CK
PC11	C10	I/O	5VT	Default: PC11 Alternate: UART3_RX, SDIO_D3 Remap: USART2_RX, SPI2_MISO
PC12	B10	I/O	5VT	Default: PC12 Alternate: UART4_TX, SDIO_CK Remap: USART2_CK, SPI2_MOSI, I2S2_SD
PD0	C9	I/O	5VT	Default: PD0 Alternate: EXMC_D2 Remap: CAN0_RX, OSCIN
PD1	B9	I/O	5VT	Default: PD1 Alternate: EXMC_D3 Remap: CAN0_TX, OSCOUT
PD2	C8	I/O	5VT	Default: PD2 Alternate: TIMER2_ET1, SDIO_CMD, UART4_RX
PD3	B8	I/O	5VT	Default: PD3 Alternate: EXMC_CLK Remap: USART1_CTS
PD4	B7	I/O	5VT	Default: PD4 Alternate: EXMC_NOE Remap: USART1_RTS

Pin Name	Pins	Pin Type <sup>(1)</sup>	I/O Level <sup>(2)</sup>	Functions description
PD5	A6	I/O	5VT	Default: PD5 Alternate: EXMC_NWE Remap: USART1_TX
PD6	B6	I/O	5VT	Default: PD6 Alternate: EXMC_NWAIT Remap: USART1_RX
PD7	A5	I/O	5VT	Default: PD7 Alternate: EXMC_NE0, EXMC_NCE1 Remap: USART1_CK
PB3	A8	I/O	5VT	Default: JTDO Alternate: SPI2_SCK, I2S2_CK Remap: PB3, TRACESWO, SPI0_SCK
PB4	A7	I/O	5VT	Default: NJTRST Alternate: SPI2_MISO Remap: TIMER2_CH0, PB4, SPI0_MISO
PB5	C5	I/O		Default: PB5 Alternate: I2C0_SMBA, SPI2_MOSI, I2S2_SD Remap: TIMER2_CH1, SPI0_MOSI, CAN1_RX
PB6	B5	I/O	5VT	Default: PB6 Alternate: I2C0_SCL, TIMER3_CH0 Remap: USART0_TX, SPI0_IO2, CAN1_TX
PB7	B4	I/O	5VT	Default: PB7 Alternate: I2C0_SDA, TIMER3_CH1, EXMC_NADV Remap: USART0_RX, SPI0_IO3
BOOT0	A4	I		Default: BOOT0
PB8	A3	I/O	5VT	Default: PB8 Alternate: TIMER3_CH2, SDIO_D4, TIMER9_CH0 Remap: I2C0_SCL, CAN0_RX
PB9	B3	I/O	5VT	Default: PB9 Alternate: TIMER3_CH3, SDIO_D5, TIMER10_CH0 Remap: I2C0_SDA, CAN0_TX
PE0	C3	I/O	5VT	Default: PE0 Alternate: TIMER3_ETI, EXMC_NBL0
PE1	A2	I/O	5VT	Default: PE1 Alternate: EXMC_NBL1
V <sub>SS_3</sub>	D3	P		Default: V <sub>SS_3</sub>
V <sub>DD_3</sub>	C4	P		Default: V <sub>DD_3</sub>

**Notes:**

(1)Type: I = input, O = output, P = power.

(2)I/O Level: 5VT = 5 V tolerant.

## 3. Functional description

### 3.1. ARM® Cortex®-M4 core

The ARM® Cortex®-M4 processor is a high performance embedded processor with DSP instructions which allow efficient signal processing and complex algorithm execution. It brings an efficient, easy-to-use blend of control and signal processing capabilities to meet the digital signal control markets demand. The processor is highly configurable enabling a wide range of implementations from those requiring floating point operations, memory protection and powerful trace technology to cost sensitive devices requiring minimal area, while delivering outstanding computational performance and an advanced system response to interrupts.

32-bit ARM® Cortex®-M4 processor core

- Up to 168 MHz operation frequency
- Single-cycle multiplication and hardware divider
- Floating Point Unit (FPU)
- Integrated DSP instructions
- Integrated Nested Vectored Interrupt Controller (NVIC)
- 24-bit SysTick timer

The Cortex®-M4 processor is based on the ARMv7-M architecture and supports both Thumb and Thumb-2 instruction sets. Some system peripherals listed below are also provided by Cortex®-M4:

- Internal Bus Matrix connected with ICode bus, DCode bus, System bus, Private Peripheral Bus (PPB) and debug accesses (AHB-AP)
- Nested Vectored Interrupt Controller (NVIC)
- Flash Patch and Breakpoint (FPB)
- Data Watchpoint and Trace (DWT)
- Instrument Trace Macrocell (ITM)
- Memory Protection Unit (MPU)
- Serial Wire JTAG Debug Port (SWJ-DP)
- Trace Port Interface Unit (TPIU)
- Floating Point Unit (FPU)

### 3.2. On-chip memory

- Up to 3072 Kbytes of Flash memory, including code Flash and data Flash
- Up to 128 KB of SRAM

The ARM® Cortex®-M4 processor is structured in Harvard architecture which can use separate buses to fetch instructions and load/store data. 3072 Kbytes of inner flash at most, which includes code Flash that available for storing programs and data, and accessed (R/W) at CPU clock speed with zero wait states. An extra data Flash is also included for storing data

mainly. [Table 2-3. GD32F403xx memory map](#) shows the memory of the GD32F403xx series of devices, including Flash, SRAM, peripheral, and other pre-defined regions.

### 3.3. Clock, reset and supply management

- Internal 8 MHz factory-trimmed RC and external 3 to 25 MHz crystal oscillator
- Internal 48 MHz RC oscillator
- Internal 40 KHz RC calibrated oscillator and external 32.768 KHz crystal oscillator
- 2.6 to 3.6 V application supply and I/Os
- Supply Supervisor: POR (Power On Reset), PDR (Power Down Reset), and low voltage detector (LVD)

The Clock Control Unit (CCU) provides a range of oscillator and clock functions. These include internal RC oscillator and external crystal oscillator, high speed and low speed two types. Several prescalers allow the frequency configuration of the AHB and two APB domains. The maximum frequency of the two AHB domains are 168 MHz The maximum frequency of the two APB domains including APB1 is 84 MHz and APB2 is 168 MHz See [Figure 2-6. GD32F403xx clock tree](#) for details on the clock tree.

The Reset Control Unit (RCU) controls three kinds of reset: system reset resets the processor core and peripheral IP components. Power-on reset (POR) and power-down reset (PDR) are always active, and ensures proper operation starting from/down to 2.6 V. The device remains in reset mode when  $V_{DD}$  is below a specified threshold. The embedded low voltage detector (LVD) monitors the power supply, compares it to the voltage threshold and generates an interrupt as a warning message for leading the MCU into security.

Power supply schemes:

- $V_{DD}$  range: 2.6 to 3.6 V, external power supply for I/Os and the internal regulator. Provided externally through  $V_{DD}$  pins.
- $V_{SSA}$ ,  $V_{DDA}$  range: 2.6 to 3.6 V, external analog power supplies for ADC, reset blocks, RCs and PLL.  $V_{DDA}$  and  $V_{SSA}$  must be connected to  $V_{DD}$  and  $V_{SS}$ , respectively.
- $V_{BAT}$  range: 1.8 to 3.6 V, power supply for RTC, external clock 32 KHz oscillator and backup registers (through power switch) when  $V_{DD}$  is not present.

### 3.4. Boot modes

At startup, boot pins are used to select one of three boot options:

- Boot from main flash memory (default)
- Boot from system memory
- Boot from on-chip SRAM

The boot loader is located in the internal boot ROM memory (system memory). It is used to reprogram the Flash memory by using USART0 (PA9 and PA10), USART1 (PD5 and PD6) and USBFS (PA9, PA11 and PA12) is also available for boot functions. It also can be used to

transfer and update the Flash memory code, the data and the vector table sections. In default condition, boot from bank0 of Flash memory is selected. It also supports to boot from bank1 of Flash memory by setting a bit in option bytes.

### 3.5. Power saving modes

The MCU supports three kinds of power saving modes to achieve even lower power consumption. They are sleep mode, deep-sleep mode and standby mode. These operating modes reduce the power consumption and allow the application to achieve the best balance between the CPU operating time, speed and power consumption.

- **Sleep mode**

In sleep mode, only the clock of CPU core is off. All peripherals continue to operate and any interrupt/event can wake up the system.

- **Deep-sleep mode**

In deep-sleep mode, all clocks in the 1.2V domain are off, and all of the high speed crystal oscillator (IRC8M, HXTAL) and PLL are disabled. Only the contents of SRAM and registers are retained. Any interrupt or wakeup event from EXTI lines can wake up the system from the deep-sleep mode including the 16 external lines, the RTC alarm, the LVD output, and USB wakeup. When exiting the deep-sleep mode, the IRC8M is selected as the system clock.

- **Standby mode**

In standby mode, the whole 1.2V domain is power off, the LDO is shut down, and all of IRC8M, HXTAL and PLL are disabled. The contents of SRAM and registers (except backup registers) are lost. There are four wakeup sources for the standby mode, including the external reset from NRST pin, the RTC, the FWDGT reset, and the rising edge on WKUP pin.

### 3.6. Analog to digital converter (ADC)

- 12-bit SAR ADC's conversion rate is up to 2.6 MSPS
- 12-bit, 10-bit, 8-bit or 6-bit configurable resolution
- Hardware oversampling ratio adjustable from 2 to 256x improves resolution to 16-bit
- Input voltage range:  $V_{SSA}$  to  $V_{DDA}$  (2.6 to 3.6 V)
- Temperature sensor

Up to three 12-bit 2.6 MSPS multi-channel ADCs are integrated in the device. It has a total of 18 multiplexed channels: 16 external channels, 1 channel for internal temperature sensor ( $V_{SENSE}$ ), and 1 channel for internal reference voltage ( $V_{REFINT}$ ). The input voltage range is between 2.6 V and 3.6 V. An on-chip hardware oversampling scheme improves performance while off-loading the related computational burden from the CPU. An analog watchdog block can be used to detect the channels, which are required to remain within a specific threshold window. A configurable channel management block can be used to perform conversions in single, continuous, scan or discontinuous mode to support more advanced use.



The ADC can be triggered from the events generated by the general level 0 timers (TIMERx) and the advanced timers (TIMER0 and TIMER7) with internal connection. The temperature sensor can be used to generate a voltage that varies linearly with temperature. It is internally connected to the ADC\_IN16 input channel which is used to convert the sensor output voltage in a digital value.

### 3.7. Digital to analog converter (DAC)

- Two 12-bit DACs with independent output channels
- 8-bit or 12-bit mode in conjunction with the DMA controller

The two 12-bit buffered DACs are used to generate variable analog outputs. The DAC channels can be triggered by the timer or EXTI with DMA support. In dual DAC channel operation, conversions could be done independently or simultaneously. The maximum output value of the DAC is  $V_{REF+}$ .

### 3.8. DMA

- 7 channel DMA0 controller and 5 channel DMA1 controller
- Peripherals supported: Timers, ADC, SPIs, I2Cs, USARTs, DAC, I2S, SDIO

The flexible general-purpose DMA controllers provide a hardware method of transferring data between peripherals and/or memory without intervention from the CPU, thereby freeing up bandwidth for other system functions. Three types of access method are supported: peripheral to memory, memory to peripheral, memory to memory

Each channel is connected to fixed hardware DMA requests. The priorities of DMA channel requests are determined by software configuration and hardware channel number. Transfer size of source and destination are independent and configurable.

### 3.9. General-purpose inputs/outputs (GPIOs)

- Up to 112 fast GPIOs, all mappable on 16 external interrupt lines
- Analog input/output configurable
- Alternate function input/output configurable

There are up to 112 general purpose I/O pins (GPIO) in GD32F403xx, named PA0 ~ PA15 and PB0 ~ PB15, PC0 ~ PC15, PD0 ~ PD15, PE0 ~ PE15, PF0-PF15, PG0-PG15 to implement logic input/output functions. Each of the GPIO ports has related control and configuration registers to satisfy the requirements of specific applications. The external interrupts on the GPIO pins of the device have related control and configuration registers in the Interrupt/event controller (EXTI). The GPIO ports are pin-shared with other alternative functions (AFs) to obtain maximum flexibility on the package pins. Each of the GPIO pins can be configured by software as output (push-pull or open-drain), as input (with or without pull-

up or pull-down) or as peripheral alternate function. Most of the GPIO pins are shared with digital or analog alternate functions. All GPIOs are high-current capable except for analog inputs.

### 3.10. Timers and PWM generation

- Two 16-bit advanced timer (TIMER0 & TIMER7), eight 16-bit general timers (TIMER2, TIMER3, TIMER8 ~ TIMER13), and two 16-bit basic timer (TIMER5 & TIMER6)
- Up to 4 independent channels of PWM, output compare or input capture for each general timer and external trigger input
- 16-bit, motor control PWM advanced timer with programmable dead-time generation for output match
- Encoder interface controller with two inputs using quadrature decoder
- 24-bit SysTick timer down counter
- 2 watchdog timers (free watchdog timer and window watchdog timer)

The advanced timer (TIMER0 & TIMER7) can be used as a three-phase PWM multiplexed on 6 channels. It has complementary PWM outputs with programmable dead-time generation. It can also be used as a complete general timer. The 4 independent channels can be used for input capture, output compare, PWM generation (edge-aligned or center-aligned counting modes) and single pulse mode output. If configured as a general 16-bit timer, it has the same functions as the TIMEx timer. It can be synchronized with external signals or to interconnect with other general timers together which have the same architecture and features.

The general timer, can be used for a variety of purposes including general time, input signal pulse width measurement or output waveform generation such as a single pulse generation or PWM output, up to 4 independent channels for input capture/output compare. TIMER2 & TIMER3 is based on a 16-bit auto-reload up/downcounter and a 16-bit prescaler. TIMER8 ~ TIMER13 is based on a 16-bit auto-reload upcounter and a 16-bit prescaler. The general timer also supports an encoder interface with two inputs using quadrature decoder.

The basic timer, known as TIMER5 & TIMER6, are mainly used for DAC trigger generation. They can also be used as a simple 16-bit time base.

The GD32F403xx have two watchdog peripherals, free watchdog timer and window watchdog timer. They offer a combination of high safety level, flexibility of use and timing accuracy.

The free watchdog timer includes a 12-bit down-counting counter and an 8-bit prescaler, It is clocked from an independent 40 KHz internal RC and as it operates independently of the main clock, it can operate in deep-sleep and standby modes. It can be used either as a watchdog to reset the device when a problem occurs, or as a free-running timer for application timeout management.

The window watchdog timer is based on a 7-bit down counter that can be set as free-running. It can be used as a watchdog to reset the device when a problem occurs. It is clocked from the main clock. It has an early wakeup interrupt capability and the counter can be frozen in

debug mode.

The SysTick timer is dedicated for OS, but could also be used as a standard down counter. The features are shown below:

- A 24-bit down counter
- Auto reload capability
- Maskable system interrupt generation when the counter reaches 0
- Programmable clock source

### 3.11. Real time clock (RTC)

- 32-bit up-counter with a programmable 20-bit prescaler
- Alarm function
- Interrupt and wakeup event

The real time clock is an independent timer which provides a set of continuously running counters which can be used with suitable software to provide a clock calendar function, and provides an alarm interrupt and an expected interrupt. The RTC features a 32-bit programmable counter for long-term measurement using the compare register to generate an alarm. A 20-bit prescaler is used for the time base clock and is by default configured to generate a time base of 1 second from a clock at 32.768 KHz from external crystal oscillator.

### 3.12. Inter-integrated circuit (I2C)

- Up to two I2C bus interfaces can support both master and slave mode with a frequency up to 1 MHz (Fast mode plus)
- Provide arbitration function, optional PEC (packet error checking) generation and checking
- Supports 7-bit and 10-bit addressing mode and general call addressing mode

The I2C interface is an internal circuit allowing communication with an external I2C interface which is an industry standard two line serial interface used for connection to external hardware. These two serial lines are known as a serial data line (SDA) and a serial clock line (SCL). The I2C module provides several data transfer rates of up to 100 KHz in standard mode, up to 400 KHz in the fast mode and up to 1 MHz in the fast mode plus . The I2C module also has an arbitration detect function to prevent the situation where more than one master attempts to transmit data to the I2C bus at the same time. A CRC-8 calculator is also provided in I2C interface to perform packet error checking for I2C data.

### 3.13. Serial peripheral interface (SPI)

- Up to three SPI interfaces with a frequency of up to 30 MHz
- Support both master and slave mode

- Hardware CRC calculation and transmit automatic CRC error checking
- Quad-SPI configuration available in master mode (only in SPI0)

The SPI interface uses 4 pins, among which are the serial data input and output lines (MISO & MOSI), the clock line (SCK) and the slave select line (NSS). Both SPIs can be served by the DMA controller. The SPI interface may be used for a variety of purposes, including simplex synchronous transfers on two lines with a possible bidirectional data line or reliable communication using CRC checking. Quad-SPI master mode is also supported in SPI0.

### 3.14. **Universal synchronous asynchronous receiver transmitter (USART)**

- Up to three USARTs and two UARTs with operating frequency up to 10.5M Bits/s
- Supports both asynchronous and clocked synchronous serial communication modes
- IrDA SIR encoder and decoder support
- LIN break generation and detection
- USARTs support ISO 7816-3 compliant smart card interface

The USART (USART0, USART1 and USART2) and UART (UART3 & UART4) are used to translate data between parallel and serial interfaces, provides a flexible full duplex data exchange using synchronous or asynchronous transfer. It is also commonly used for RS-232 standard communication. The USART/UART includes a programmable baud rate generator which is capable of dividing the system clock to produce a dedicated clock for the USART transmitter and receiver. The USART/UART also supports DMA function for high speed data communication except UART4.

### 3.15. **Inter-IC sound (I2S)**

- Two I2S bus Interfaces with sampling frequency from 8 KHz to 192 KHz
- Support either master or slave mode

The Inter-IC sound (I2S) bus provides a standard communication interface for digital audio applications by 3-wire serial lines. GD32F403xx contain two I2S-bus interfaces that can be operated with 16/32 bit resolution in master or slave mode, pin multiplexed with SPI1 and SPI2. The audio sampling frequency from 8 KHz to 192 KHz is supported.

### 3.16. **Universal serial bus on-the-go full-speed (USBFS)**

- One USB device/host/OTG full-speed Interface with frequency up to 12 Mbit/s
- Internal 48 MHz oscillator support crystal-less operation
- Internal main PLL for USB CLK compliantly
- Internal USB OTG FS PHY support

The Universal Serial Bus (USB) is a 4-wire bus with 4 bidirectional endpoints. The device controller enables 12 Mbit/s data exchange with integrated transceivers. Transaction formatting is performed by the hardware, including CRC generation and checking. It supports both host and device modes, as well as OTG mode with Host Negotiation Protocol (HNP) and Session Request Protocol (SRP). The controller contains a full-speed USB PHY internal. For full-speed or low-speed operation, no more external PHY chip is needed. It supports all the four types of transfer (control, bulk, Interrupt and isochronous) defined in USB 2.0 protocol. The required precise 48 MHz clock which can be generated from the internal main PLL (the clock source must use an HXTAL crystal oscillator) or by the internal 48 MHz oscillator in automatic trimming mode that allows crystal-less operation.

### 3.17. Controller area network (CAN)

- Two CAN2.0B interface with communication frequency up to 1 Mbit/s
- Internal main PLL for CAN CLK compliantly

Controller area network (CAN) is a method for enabling serial communication in field bus. The CAN protocol has been used extensively in industrial automation and automotive applications. It can receive and transmit standard frames with 11-bit identifiers as well as extended frames with 29-bit identifiers. The CAN has three mailboxes for transmission and two FIFOs of three message deep for reception. It also provides 28 scalable/configurable identifier filter banks for selecting the incoming messages needed and discarding the others.

### 3.18. Secure digital input and output card interface (SDIO)

- Support SD2.0/SDIO2.0/MMC4.2 host interface

The Secure Digital Input and Output Card Interface (SDIO) provides access to external SD memory cards specifications version 2.0, SDIO card specification version 2.0 and multi-media card system specification version 4.2 with DMA supported. In addition, this interface is also compliant with CE-ATA digital protocol rev1.1.

### 3.19. External memory controller (EXMC)

- Supported external memory: SRAM, PSRAM, ROM and NOR-Flash, NAND Flash and PC card
- Provide ECC calculating hardware module for NAND Flash memory block
- Up to 16-bit data bus
- Support to interface with Motorola 6800 and Intel 8080 type LCD directly

External memory controller (EXMC) is an abbreviation of external memory controller. It is divided in to several sub-banks for external device support, each sub-bank has its own chip selection signal but at one time, only one bank can be accessed. The EXMC support code

execution from external memory except NAND Flash and PC card. The EXMC also can be configured to interface with the most common LCD module of Motorola 6800 and Intel 8080 series and reduce the system cost and complexity.

### 3.20. Debug mode

- Serial wire JTAG debug port (SWJ-DP)

The ARM® SWJ-DP Interface is embedded and is a combined JTAG and serial wire debug port that enables either a serial wire debug or a JTAG probe to be connected to the target.

### 3.21. Package and operation temperature

- LQFP144 (GD32F403Zx), LQFP100 (GD32F403Vx), LQFP64 (GD32F403Rx) and BGA100 (GD32F403VxH)
- Operation temperature range: -40°C to +85°C (industrial level)

## 4. Electrical characteristics

### 4.1. Absolute maximum ratings

The maximum ratings are the limits to which the device can be subjected without permanently damaging the device. Note that the device is not guaranteed to operate properly at the maximum ratings. Exposure to the absolute maximum rating conditions for extended periods may affect device reliability.

**Table 4-1. Absolute maximum ratings<sup>(1) (4)</sup>**

Symbol	Parameter	Min	Max	Unit
V <sub>DD</sub>	External voltage range <sup>(2)</sup>	V <sub>SS</sub> - 0.3	V <sub>SS</sub> + 3.6	V
V <sub>DDA</sub>	External analog supply voltage	V <sub>SSA</sub> - 0.3	V <sub>SSA</sub> + 3.6	V
V <sub>BAT</sub>	External battery supply voltage	V <sub>SS</sub> - 0.3	V <sub>SS</sub> + 3.6	V
V <sub>IN</sub>	Input voltage on 5V tolerant pin <sup>(3)</sup>	V <sub>SS</sub> - 0.3	V <sub>DD</sub> + 3.6	V
	Input voltage on other I/O	V <sub>SS</sub> - 0.3	3.6	V
ΔV <sub>DDX</sub>	Variations between different V <sub>DD</sub> power pins	—	50	mV
V <sub>SSX</sub> - V <sub>SS</sub>	Variations between different ground pins	—	50	mV
I <sub>IO</sub>	Maximum current for GPIO pins	—	±25	mA
T <sub>A</sub>	Operating temperature range	-40	+85	°C
T <sub>STG</sub>	Storage temperature range	-55	+150	°C
T <sub>J</sub>	Maximum junction temperature	—	125	°C

(1). Guaranteed by design, not tested in production.

(2). All main power and ground pins should be connected to an external power source within the allowable range.

(3). V<sub>IN</sub> maximum value cannot exceed 6.5 V.

(4). It is recommended that V<sub>DD</sub> and V<sub>DDA</sub> are powered by the same source. The maximum difference between V<sub>DD</sub> and V<sub>DDA</sub> does not exceed 300 mV during power-up and operation.

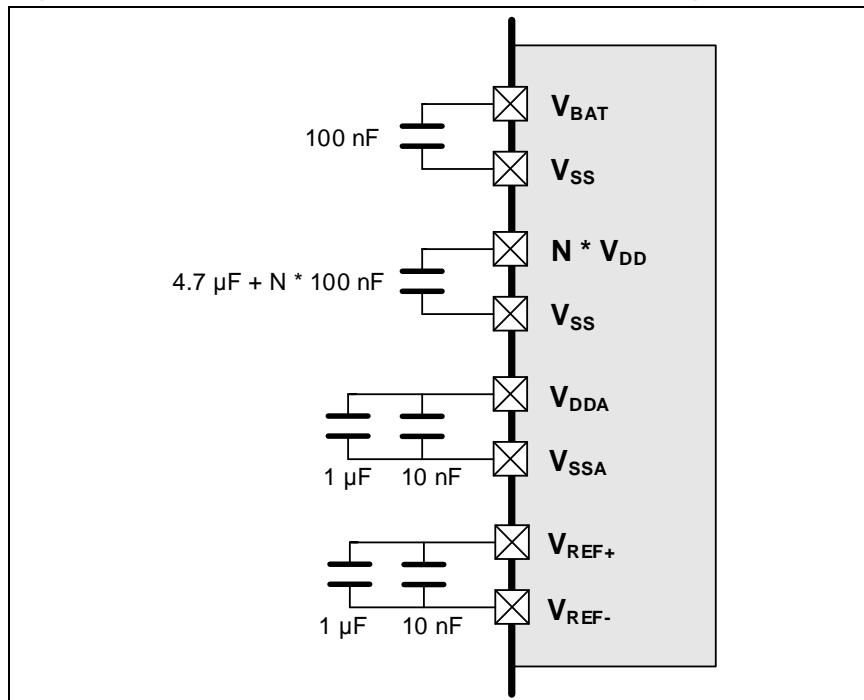
### 4.2. Operating conditions characteristics

**Table 4-2. DC operating conditions**

Symbol	Parameter	Conditions	Min <sup>(1)</sup>	Typ	Max <sup>(1)</sup>	Unit
V <sub>DD</sub>	Supply voltage	—	2.6	3.3	3.6	V
V <sub>DDA</sub>	Analog supply voltage	Same as V <sub>DD</sub>	2.6	3.3	3.6	V
V <sub>BAT</sub>	Battery supply voltage	—	1.8	—	3.6	V

(1). Based on characterization, not tested in production.

Figure 4-1. Recommended power supply decoupling capacitors<sup>(1) (2)</sup>



(1). The V<sub>REF+</sub> and V<sub>REF-</sub> pins are only available on no less than 100-pin packages, or else the V<sub>REF+</sub> and V<sub>REF-</sub> pins are not available and internally connected to V<sub>DDA</sub> and V<sub>SSA</sub> pins.

(2). All decoupling capacitors need to be as close as possible to the pins on the PCB board.

Table 4-3. Clock frequency<sup>(1)</sup>

Symbol	Parameter	Conditions	Min	Max	Unit
f <sub>HCLK</sub>	AHB clock frequency	—	—	168	MHz
f <sub>APB1</sub>	APB1 clock frequency	—	—	84	MHz
f <sub>APB2</sub>	APB2 clock frequency	—	—	168	MHz

(1). Guaranteed by design, not tested in production.

Table 4-4. Operating conditions at Power up / Power down<sup>(1)</sup>

Symbol	Parameter	Conditions	Min	Max	Unit
t <sub>VDD</sub>	V <sub>DD</sub> rise time rate	—	0	∞	μs/V
	V <sub>DD</sub> fall time rate		20	∞	

(1). Guaranteed by design, not tested in production.

Table 4-5. Start-up timings of Operating conditions<sup>(1)(2)(3)</sup>

Symbol	Parameter	Conditions	Typ	Unit
t <sub>start-up</sub>	Start-up time	Clock source from HXTAL	154	ms
		Clock source from IRC8M	154	

(1). Based on characterization, not tested in production.

(2). After power-up, the start-up time is the time between the rising edge of NRST high and the main function.

(3). PLL is off.

Table 4-6. Power saving mode wakeup timings characteristics<sup>(1)(2)</sup>

Symbol	Parameter	Typ	Unit
t <sub>Sleep</sub>	Wakeup from Sleep mode	3.4	μs
t <sub>Deep-sleep</sub>	Wakeup from Deep-sleep mode (LDO On)	5.8	



Symbol	Parameter	Typ	Unit
	Wakeup from Deep-sleep mode (LDO in low power mode)	5.8	
$t_{\text{Standby}}$	Wakeup from Standby mode	154	ms

(1). Based on characterization, not tested in production.

(2). The wakeup time is measured from the wakeup event to the point at which the application code reads the first instruction under the below conditions:  $V_{\text{DD}} = V_{\text{DDA}} = 3.3 \text{ V}$ ,  $\text{IRC8M} = \text{System clock} = 8 \text{ MHz}$ .

## 4.3. Power consumption

The power measurements specified in the tables represent that code with data executing from on-chip Flash with the following specifications.

**Table 4-7. Power consumption characteristics** <sup>(2)(3)(4)(5)</sup>

Symbol	Parameter	Conditions	Min	Typ <sup>(1)</sup>	Max	Unit
$I_{\text{DD}}+I_{\text{DDA}}$	Supply current (Run mode)	$V_{\text{DD}} = V_{\text{DDA}} = 3.3 \text{ V}$ , HXTAL = 25 MHz, System clock = 168 MHz, All peripherals enabled	—	59.9	—	mA
		$V_{\text{DD}} = V_{\text{DDA}} = 3.3 \text{ V}$ , HXTAL = 25 MHz, System clock = 168 MHz, All peripherals disabled	—	35.7	—	mA
		$V_{\text{DD}} = V_{\text{DDA}} = 3.3 \text{ V}$ , HXTAL = 25 MHz, System clock = 120 MHz, All peripherals enabled	—	43.4	—	mA
		$V_{\text{DD}} = V_{\text{DDA}} = 3.3 \text{ V}$ , HXTAL = 25 MHz, System clock = 120 MHz, All peripherals disabled	—	26.1	—	mA
		$V_{\text{DD}} = V_{\text{DDA}} = 3.3 \text{ V}$ , HXTAL = 25 MHz, System clock = 108 MHz, All peripherals enabled	—	39.3	—	mA
		$V_{\text{DD}} = V_{\text{DDA}} = 3.3 \text{ V}$ , HXTAL = 25 MHz, System clock = 108 MHz, All peripherals disabled	—	23.7	—	mA
		$V_{\text{DD}} = V_{\text{DDA}} = 3.3 \text{ V}$ , HXTAL = 25 MHz, System clock = 96 MHz, All peripherals enabled	—	33.2	—	mA
		$V_{\text{DD}} = V_{\text{DDA}} = 3.3 \text{ V}$ , HXTAL = 25 MHz, System clock = 96 MHz, All peripherals disabled	—	21.3	—	mA
		$V_{\text{DD}} = V_{\text{DDA}} = 3.3 \text{ V}$ , HXTAL = 25 MHz, System clock = 72 MHz, All peripherals enabled	—	26.9	—	mA
		$V_{\text{DD}} = V_{\text{DDA}} = 3.3 \text{ V}$ , HXTAL = 25 MHz, System clock = 72 MHz, All peripherals disabled	—	16.5	—	mA

Symbol	Parameter	Conditions	Min	Typ <sup>(1)</sup>	Max	Unit
		V <sub>DD</sub> = V <sub>DDA</sub> = 3.3 V, HXTAL = 25 MHz, System clock = 48 MHz, All peripherals enabled	—	18.7	—	mA
		V <sub>DD</sub> = V <sub>DDA</sub> = 3.3 V, HXTAL = 25 MHz, System clock = 48 MHz, All peripherals disabled	—	11.7	—	mA
		V <sub>DD</sub> = V <sub>DDA</sub> = 3.3 V, HXTAL = 25 MHz, System clock = 36 MHz, All peripherals enabled	—	14.6	—	mA
		V <sub>DD</sub> = V <sub>DDA</sub> = 3.3 V, HXTAL = 25 MHz, System clock = 36 MHz, All peripherals disabled	—	9.3	—	mA
		V <sub>DD</sub> = V <sub>DDA</sub> = 3.3 V, HXTAL = 25 MHz, System clock = 24 MHz, All peripherals enabled	—	10.4	—	mA
		V <sub>DD</sub> = V <sub>DDA</sub> = 3.3 V, HXTAL = 25 MHz, System clock = 24 MHz, All peripherals disabled	—	7.0	—	mA
		V <sub>DD</sub> = V <sub>DDA</sub> = 3.3 V, HXTAL = 25 MHz, System clock = 16 MHz, All peripherals enabled	—	7.7	—	mA
		V <sub>DD</sub> = V <sub>DDA</sub> = 3.3 V, HXTAL = 25 MHz, System clock = 16 MHz, All peripherals disabled	—	5.3	—	mA
		V <sub>DD</sub> = V <sub>DDA</sub> = 3.3 V, HXTAL = 25 MHz, System clock = 8 MHz, All peripherals enabled	—	4.9	—	mA
		V <sub>DD</sub> = V <sub>DDA</sub> = 3.3 V, HXTAL = 25 MHz, System clock = 8 MHz, All peripherals disabled	—	3.7	—	mA
		V <sub>DD</sub> = V <sub>DDA</sub> = 3.3 V, HXTAL = 4 MHz, System clock = 4 MHz, All peripherals enabled	—	1.5	—	mA
		V <sub>DD</sub> = V <sub>DDA</sub> = 3.3 V, HXTAL = 4 MHz, System clock = 4 MHz, All peripherals disabled	—	1.0	—	mA
		V <sub>DD</sub> = V <sub>DDA</sub> = 3.3 V, HXTAL = 2 MHz, System clock = 2 MHz, All peripherals enabled	—	0.9	—	mA
		V <sub>DD</sub> = V <sub>DDA</sub> = 3.3 V, HXTAL = 2 MHz, System Clock = 2 MHz, All peripherals disabled	—	0.6	—	mA

Symbol	Parameter	Conditions	Min	Typ <sup>(1)</sup>	Max	Unit
	Supply current (Sleep mode)	V <sub>DD</sub> = V <sub>DDA</sub> = 3.3 V, HXTAL = 25 MHz, System Clock = 168 MHz, CPU clock off, All peripherals enabled	—	40.1	—	mA
		V <sub>DD</sub> = V <sub>DDA</sub> = 3.3 V, HXTAL = 25 MHz, System Clock = 168 MHz, CPU clock off, All peripherals disabled	—	14.0	—	mA
		V <sub>DD</sub> = V <sub>DDA</sub> = 3.3 V, HXTAL = 25 MHz, System Clock = 120 MHz, CPU clock off, All peripherals enabled	—	29.3	—	mA
		V <sub>DD</sub> = V <sub>DDA</sub> = 3.3 V, HXTAL = 25 MHz, System Clock = 120 MHz, CPU clock off, All peripherals disabled	—	10.6	—	mA
		V <sub>DD</sub> = V <sub>DDA</sub> = 3.3 V, HXTAL = 25 MHz, System Clock = 108 MHz, CPU clock off, All peripherals enabled	—	26.6	—	mA
		V <sub>DD</sub> = V <sub>DDA</sub> = 3.3 V, HXTAL = 25 MHz, System Clock = 108 MHz, CPU clock off, All peripherals disabled	—	9.7	—	mA
		V <sub>DD</sub> = V <sub>DDA</sub> = 3.3 V, HXTAL = 25 MHz, System Clock = 96 MHz, CPU clock off, All peripherals enabled	—	23.9	—	mA
		V <sub>DD</sub> = V <sub>DDA</sub> = 3.3 V, HXTAL = 25 MHz, System Clock = 96 MHz, CPU clock off, All peripherals disabled	—	8.9	—	mA
		V <sub>DD</sub> = V <sub>DDA</sub> = 3.3 V, HXTAL = 25 MHz, System Clock = 72 MHz, CPU clock off, All peripherals enabled	—	18.4	—	mA
		V <sub>DD</sub> = V <sub>DDA</sub> = 3.3 V, HXTAL = 25 MHz, System Clock = 72 MHz, CPU clock off, All peripherals disabled	—	7.2	—	mA
		V <sub>DD</sub> = V <sub>DDA</sub> = 3.3 V, HXTAL = 25 MHz, System Clock = 48 MHz, CPU clock off, All peripherals enabled	—	13.0	—	mA
		V <sub>DD</sub> = V <sub>DDA</sub> = 3.3 V, HXTAL = 25 MHz, System Clock = 48 MHz, CPU clock off, All peripherals disabled	—	5.5	—	mA
		V <sub>DD</sub> = V <sub>DDA</sub> = 3.3 V, HXTAL = 25 MHz, System Clock = 36 MHz, CPU clock off, All peripherals enabled	—	10.3	—	mA
		V <sub>DD</sub> = V <sub>DDA</sub> = 3.3 V, HXTAL = 25 MHz, System Clock = 36 MHz, CPU clock off, All peripherals disabled	—	4.7	—	mA

Symbol	Parameter	Conditions	Min	Typ <sup>(1)</sup>	Max	Unit
		V <sub>DD</sub> = V <sub>DDA</sub> = 3.3 V, HXTAL = 25 MHz, System Clock = 24 MHz, CPU clock off, All peripherals enabled	—	7.6	—	mA
		V <sub>DD</sub> = V <sub>DDA</sub> = 3.3 V, HXTAL = 25 MHz, System Clock = 24 MHz, CPU clock off, All peripherals disabled	—	3.8	—	mA
		V <sub>DD</sub> = V <sub>DDA</sub> = 3.3 V, HXTAL = 25 MHz, System Clock = 16 MHz, CPU clock off, All peripherals enabled	—	5.8	—	mA
		V <sub>DD</sub> = V <sub>DDA</sub> = 3.3 V, HXTAL = 25 MHz, System Clock = 16 MHz, CPU clock off, All peripherals disabled	—	3.3	—	mA
		V <sub>DD</sub> = V <sub>DDA</sub> = 3.3 V, HXTAL = 25 MHz, System Clock = 8 MHz, CPU clock off, All peripherals enabled	—	4.0	—	mA
		V <sub>DD</sub> = V <sub>DDA</sub> = 3.3 V, HXTAL = 25 MHz, System Clock = 8 MHz, CPU clock off, All peripherals disabled	—	2.7	—	mA
		V <sub>DD</sub> = V <sub>DDA</sub> = 3.3 V, HXTAL = 4 MHz, System Clock = 4 MHz, CPU clock off, All peripherals enabled	—	1.0	—	mA
		V <sub>DD</sub> = V <sub>DDA</sub> = 3.3 V, HXTAL = 4 MHz, System Clock = 4 MHz, CPU clock off, All peripherals disabled	—	0.5	—	mA
		V <sub>DD</sub> = V <sub>DDA</sub> = 3.3 V, HXTAL = 2 MHz, System Clock = 2 MHz, CPU clock off, All peripherals enabled	—	0.7	—	mA
		V <sub>DD</sub> = V <sub>DDA</sub> = 3.3 V, HXTAL = 2 MHz, System Clock = 2 MHz, CPU clock off, All peripherals disabled	—	0.4	—	mA
	Supply current (Deep-Sleep mode)	V <sub>DD</sub> = V <sub>DDA</sub> = 3.3 V, LDO in run mode, IRC40K off, RTC off, All GPIOs analog mode	—	190.1	1100	μA
		V <sub>DD</sub> = V <sub>DDA</sub> = 3.3 V, LDO in low power mode, IRC40K off, RTC off, All GPIOs analog mode	—	159.7	1100	μA
		V <sub>DD</sub> = V <sub>DDA</sub> = 3.3 V, Main LDO in under drive mode, IRC40K off, RTC off, All GPIOs analog mode	—	163.3	1100	μA
		V <sub>DD</sub> = V <sub>DDA</sub> = 3.3 V, Low Power LDO in under drive mode, IRC40K off, RTC off, All GPIOs analog mode	—	132.9	1100	μA

Symbol	Parameter	Conditions	Min	Typ <sup>(1)</sup>	Max	Unit
	Supply current (Standby mode)	$V_{DD} = V_{DDA} = 3.3\text{ V}$ , LXTAL off, IRC40K on, RTC on	—	5.2	22	$\mu\text{A}$
		$V_{DD} = V_{DDA} = 3.3\text{ V}$ , LXTAL off, IRC40K on, RTC off	—	5.0	22	$\mu\text{A}$
		$V_{DD} = V_{DDA} = 3.3\text{ V}$ , LXTAL off, IRC40K off, RTC off	—	4.4	22	$\mu\text{A}$
$I_{BAT}$	Battery supply current (Backup mode)	$V_{DD}$ off, $V_{DDA}$ off, $V_{BAT} = 3.6\text{ V}$ , LXTAL on with external crystal, RTC on, LXTAL High driving	—	1.7	—	$\mu\text{A}$
		$V_{DD}$ off, $V_{DDA}$ off, $V_{BAT} = 3.3\text{ V}$ , LXTAL on with external crystal, RTC on, LXTAL High driving	—	1.5	—	$\mu\text{A}$
		$V_{DD}$ off, $V_{DDA}$ off, $V_{BAT} = 2.6\text{ V}$ , LXTAL on with external crystal, RTC on, LXTAL High driving	—	1.3	—	$\mu\text{A}$
		$V_{DD}$ off, $V_{DDA}$ off, $V_{BAT} = 1.8\text{ V}$ , LXTAL on with external crystal, RTC on, LXTAL High driving	—	1.2	—	$\mu\text{A}$
		$V_{DD}$ off, $V_{DDA}$ off, $V_{BAT} = 3.6\text{ V}$ , LXTAL on with external crystal, RTC on, LXTAL Medium High driving	—	1.4	—	$\mu\text{A}$
		$V_{DD}$ off, $V_{DDA}$ off, $V_{BAT} = 3.3\text{ V}$ , LXTAL on with external crystal, RTC on, LXTAL Medium High driving	—	1.2	—	$\mu\text{A}$
		$V_{DD}$ off, $V_{DDA}$ off, $V_{BAT} = 2.6\text{ V}$ , LXTAL on with external crystal, RTC on, LXTAL Medium High driving	—	1.1	—	$\mu\text{A}$
		$V_{DD}$ off, $V_{DDA}$ off, $V_{BAT} = 1.8\text{ V}$ , LXTAL on with external crystal, RTC on, LXTAL Medium High driving	—	1.0	—	$\mu\text{A}$
		$V_{DD}$ off, $V_{DDA}$ off, $V_{BAT} = 3.6\text{ V}$ , LXTAL on with external crystal, RTC on, LXTAL Medium Low driving	—	1.1	—	$\mu\text{A}$
		$V_{DD}$ off, $V_{DDA}$ off, $V_{BAT} = 3.3\text{ V}$ , LXTAL on with external crystal, RTC on, LXTAL Medium Low driving	—	0.9	—	$\mu\text{A}$
		$V_{DD}$ off, $V_{DDA}$ off, $V_{BAT} = 2.6\text{ V}$ , LXTAL on with external crystal, RTC on, LXTAL Medium Low driving	—	0.8	—	$\mu\text{A}$
		$V_{DD}$ off, $V_{DDA}$ off, $V_{BAT} = 1.8\text{ V}$ , LXTAL on with external crystal, RTC on, LXTAL Medium Low driving	—	0.7	—	$\mu\text{A}$

Symbol	Parameter	Conditions	Min	Typ <sup>(1)</sup>	Max	Unit
		V <sub>DD</sub> off, V <sub>DDA</sub> off, V <sub>BAT</sub> = 3.6 V, LXTAL on with external crystal, RTC on, LXTAL Low driving	—	1.0	—	μA
		V <sub>DD</sub> off, V <sub>DDA</sub> off, V <sub>BAT</sub> = 3.3 V, LXTAL on with external crystal, RTC on, LXTAL Low driving	—	0.9	—	μA
		V <sub>DD</sub> off, V <sub>DDA</sub> off, V <sub>BAT</sub> = 2.6 V, LXTAL on with external crystal, RTC on, LXTAL Low driving	—	0.7	—	μA
		V <sub>DD</sub> off, V <sub>DDA</sub> off, V <sub>BAT</sub> = 1.8 V, LXTAL on with external crystal, RTC on, LXTAL Low driving	—	0.6	—	μA

- (1). Based on characterization, not tested in production.
- (2). Unless otherwise specified, all values given for T<sub>A</sub> = 25 °C and test result is mean value.
- (3). When System Clock is less than 4 MHz, an external source is used, and the HXTAL bypass function is needed, no PLL.
- (4). When System Clock is greater than 8 MHz, a crystal 8 MHz is used, and the HXTAL bypass function is closed, using PLL.
- (5). When analog peripheral blocks such as ADCs, DACs, HXTAL, LXTAL, IRC8M, or IRC40K are ON, an additional power consumption should be considered.

Figure 4-2. Typical supply current consumption in Run mode

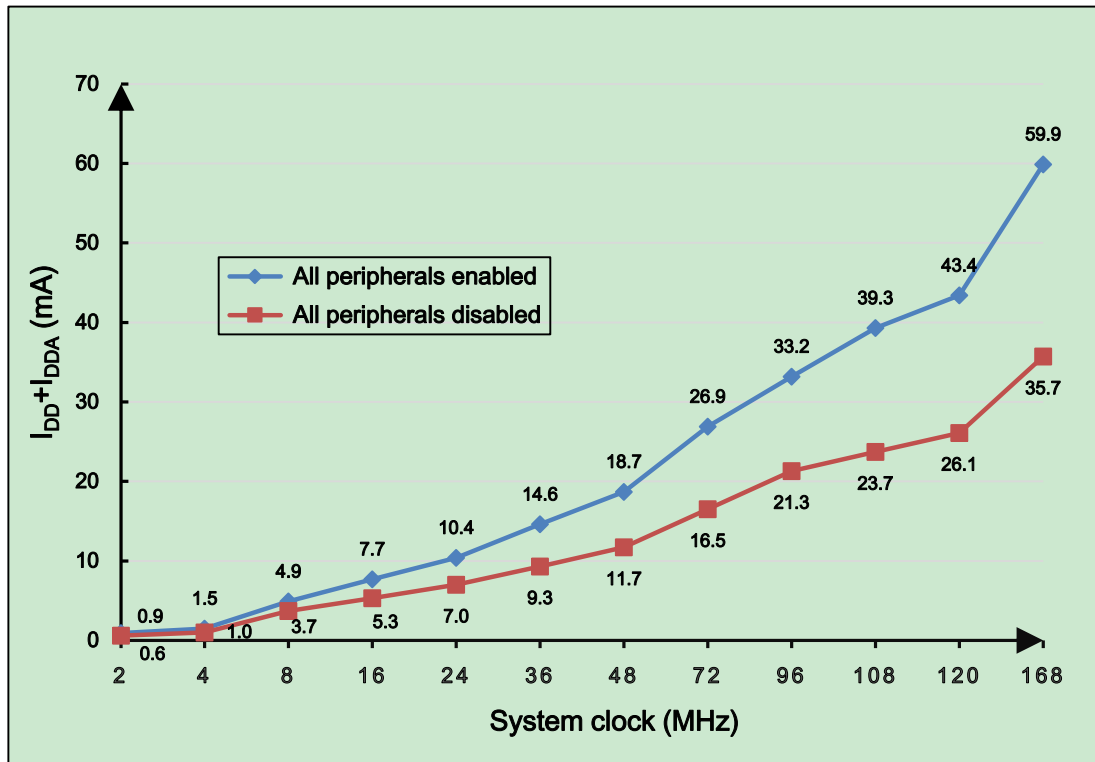


Figure 4-3. Typical supply current consumption in Sleep mode

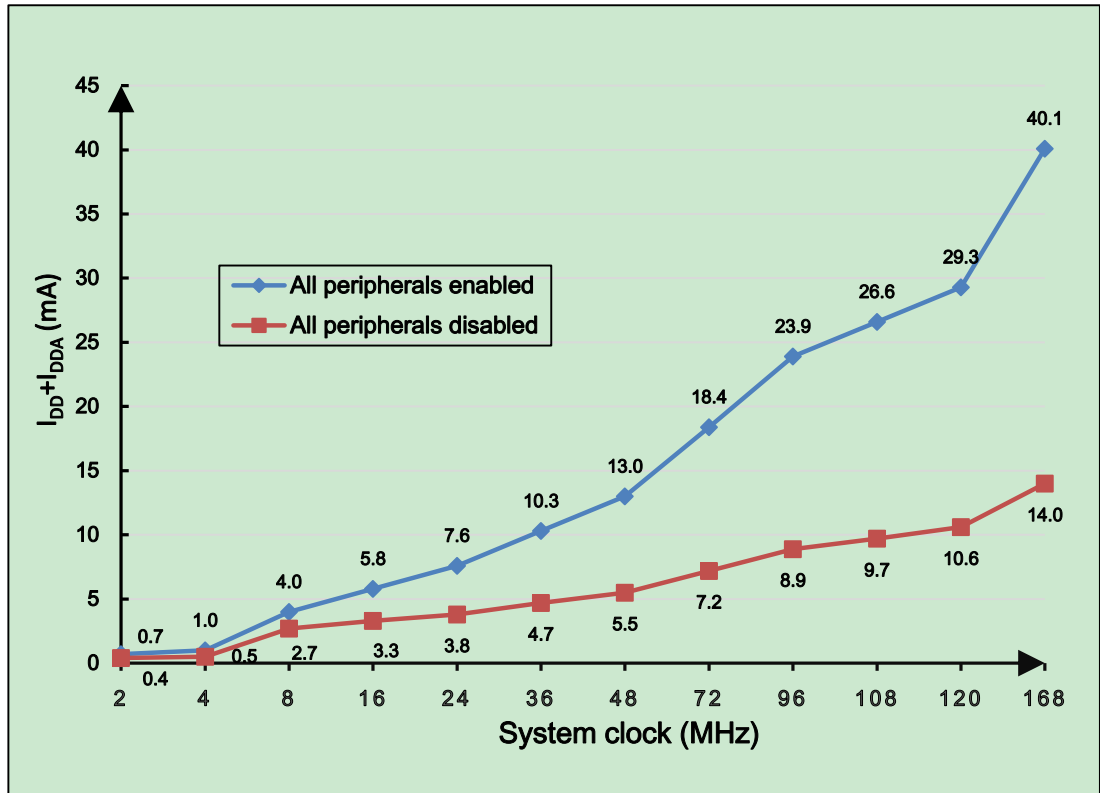


Table 4-8. Peripheral current consumption characteristics<sup>(1)</sup>

Peripherals <sup>(4)</sup>		Typical consumption at T <sub>A</sub> = 25 °C (TYP)	Unit
APB1	DAC <sup>(2)</sup>	1.2	mA
	PMU	2.16	
	BKP	2.9	
	CAN1	2.1	
	CAN0	2.13	
	I2C1	1.88	
	I2C0	1.86	
	UART4	1.89	
	UART3	1.9	
	USART2	1.87	
	USART1	1.87	
	SPI2	1.76	
	SPI1	1.76	
	WWDGT	1.68	
	TIMER13	2.16	
	TIMER12	2.16	
	TIMER11	2.2	
TIMER6	1.7		
TIMER5	1.7		

Peripherals <sup>(4)</sup>		Typical consumption at T <sub>A</sub> = 25 °C (TYP)	Unit
ADDAPB1	TIMER3	3.36	
	TIMER2	3.36	
	CTC	1.69	
APB2	TIMER10	3.48	
	TIMER9	3.45	
	TIMER8	3.47	
	ADC2 <sup>(3)</sup>	0.81	
	USART0	3.34	
	TIMER7	4.04	
	SPI0	2.97	
	TIMER0	3.98	
	ADC1 <sup>(3)</sup>	0.81	
	ADC0 <sup>(3)</sup>	0.81	
	GPIOG	3.11	
	GPIOF	3.11	
	GPIOE	3.11	
	GPIOD	3.11	
	GPIOC	3.11	
	GPIOB	3.11	
GPIOA	1.94		
AHB	USBFS	5.3	
	SDIO	3.94	
	EXMC	3.93	
	CRC	2.87	
	DMA1	2.17	
	DMA0	2.42	

(1). Based on characterization, not tested in production.

(2). DEN0 and DEN1 bits in the DAC\_CTL register are set to 1, and the converted value set to 0x800.

(3). System clock =  $f_{HCLK} = 72 \text{ MHz}$ ,  $f_{APB1} = f_{HCLK}/2$ ,  $f_{APB2} = f_{HCLK}$ ,  $f_{ADCCLK} = f_{APB2}/2$ , ADON bit is set to 1.

(4). If there is no other description, then HXTAL = 25 MHz, system clock =  $f_{HCLK} = 168 \text{ MHz}$ ,  $f_{APB1} = f_{HCLK}/2$ ,  $f_{APB2} = f_{HCLK}$ .

#### 4.4. EMC characteristics

EMS (electromagnetic susceptibility) includes ESD (Electrostatic discharge, positive and negative) and FTB (Burst of Fast Transient voltage, positive and negative) testing result is given in the [Table 4-9. EMS characteristics<sup>\(1\)</sup>](#), based on the EMS levels and classes compliant with IEC 61000 series standard.



**Table 4-9. EMS characteristics<sup>(1)</sup>**

Symbol	Parameter	Conditions	Level/Class
V <sub>ESD</sub>	Voltage applied to all device pins to induce a functional disturbance	V <sub>DD</sub> = 3.3 V, T <sub>A</sub> = 25 °C LQFP144, f <sub>HCLK</sub> = 168 MHz conforms to IEC 61000-4-2	3A
V <sub>FTB</sub>	Fast transient voltage burst applied to induce a functional disturbance through 100 pF on V <sub>DD</sub> and V <sub>SS</sub> pins	V <sub>DD</sub> = 3.3 V, T <sub>A</sub> = 25 °C LQFP144, f <sub>HCLK</sub> = 168 MHz conforms to IEC 61000-4-4	4A

(1). Based on characterization, not tested in production.

## 4.5. Power supply supervisor characteristics

**Table 4-10. Power supply supervisor characteristics**

Symbol	Parameter	Conditions	Min	Typ	Max	Unit
V <sub>LVD</sub> <sup>(1)</sup>	Low voltage Detector level selection	LVDT<2:0> = 000(rising edge)	—	2.15	—	V
		LVDT<2:0> = 000(falling edge)	—	2.04	—	
		LVDT<2:0> = 001(rising edge)	—	2.29	—	
		LVDT<2:0> = 001(falling edge)	—	2.19	—	
		LVDT<2:0> = 010(rising edge)	—	2.43	—	
		LVDT<2:0> = 010(falling edge)	—	2.33	—	
		LVDT<2:0> = 011(rising edge)	—	2.57	—	
		LVDT<2:0> = 011(falling edge)	—	2.47	—	
		LVDT<2:0> = 100(rising edge)	—	2.71	—	
		LVDT<2:0> = 100(falling edge)	—	2.60	—	
		LVDT<2:0> = 101(rising edge)	—	2.85	—	
		LVDT<2:0> = 101(falling edge)	—	2.74	—	
		LVDT<2:0> = 110(rising edge)	—	2.99	—	
		LVDT<2:0> = 110(falling edge)	—	2.89	—	
LVDT<2:0> = 111(rising edge)	—	3.13	—			
LVDT<2:0> = 111(falling edge)	—	3.03	—			
V <sub>LVDhyst</sub> <sup>(2)</sup>	LVD hysteresis	—	—	100	—	mV
V <sub>POR</sub> <sup>(1)</sup>	Power on reset threshold	—	—	2.34	—	V
V <sub>PDR</sub> <sup>(1)</sup>	Power down reset threshold	—	—	1.82	—	V

Symbol	Parameter	Conditions	Min	Typ	Max	Unit
$V_{PDRhyst}^{(2)}$	PDR hysteresis		—	600	—	mV
$t_{RSTTEMPO}^{(2)}$	Reset temporization		—	2	—	ms

(1). Based on characterization, not tested in production.

(2). Guaranteed by design, not tested in production.

## 4.6. Electrical sensitivity

The device is strained in order to determine its performance in terms of electrical sensitivity. Electrostatic discharges (ESD) are applied directly to the pins of the sample. Static latch-up (LU) test is based on the two measurement methods.

**Table 4-11. ESD characteristics<sup>(1)</sup>**

Symbol	Parameter	Conditions	Min	Typ	Max2	Unit
$V_{ESD(HBM)}$	Electrostatic discharge voltage (human body model)	$T_A = 25\text{ °C}$ ; JESD22-A114	—	—	4000	V
$V_{ESD(CDM)}$	Electrostatic discharge voltage (charge device model)	$T_A = 25\text{ °C}$ ; JESD22-C101	—	—	800	V

(1). Based on characterization, not tested in production.

**Table 4-12. Static latch-up characteristics<sup>(1)</sup>**

Symbol	Parameter	Conditions	Min	Typ	Max2	Unit
LU	I-test	$T_A = 25\text{ °C}$ ; JESD78	—	—	$\pm 200$	mA
	$V_{supply}$ over voltage		—	—	5.4	V

(1). Based on characterization, not tested in production.

## 4.7. External clock characteristics

**Table 4-13. High speed external clock (HXTAL) generated from a crystal/ceramic characteristics**

Symbol	Parameter	Conditions	Min	Typ	Max	Unit
$f_{HXTAL}^{(1)}$	Crystal or ceramic frequency	$2.6\text{ V} \leq V_{DD} \leq 3.6\text{ V}$	4	8	32	MHz
$R_F^{(2)}$	Feedback resistor	$V_{DD} = 3.3\text{ V}$	—	400	—	k $\Omega$
$C_{HXTAL}^{(2)(3)}$	Recommended matching capacitance on OSCIN and OSCOUT	—	—	20	30	pF
$D_{ucy(HXTAL)}^{(2)}$	Crystal or ceramic duty cycle	—	30	50	70	%
$g_m^{(2)}$	Oscillator transconductance	Startup	—	25	—	mA/V
$I_{DDHXTAL}^{(1)}$	Crystal or ceramic operating current	$V_{DD} = 3.3\text{ V}$ , $f_{HCLK} =$ $f_{IRC8M} = 8\text{ MHz}$ $T_A = 25\text{ °C}$	—	1.26	—	mA

$t_{SUHXTAL}^{(1)}$	Crystal or ceramic startup time	$V_{DD} = 3.3\text{ V}$ , $f_{HCLK} =$ $f_{IRC8M} = 8\text{ MHz}$ $T_A = 25\text{ }^\circ\text{C}$	—	1.8	—	ms
---------------------	---------------------------------	--	---	-----	---	----

(1). Based on characterization, not tested in production.

(2). Guaranteed by design, not tested in production.

(3).  $C_{HXTAL1} = C_{HXTAL2} = 2 * (C_{LOAD} - C_S)$ , For  $C_{HXTAL1}$  and  $C_{HXTAL2}$ , it is recommended matching capacitance on OSCIN and OSCOUT. For  $C_{LOAD}$ , it is crystal/ceramic load capacitance, provided by the crystal or ceramic manufacturer. For  $C_S$ , it is PCB and MCU pin stray capacitance.

**Table 4-14. High speed external clock characteristics (HXTAL in bypass mode)**

Symbol	Parameter	Conditions	Min	Typ	Max	Unit
$f_{HXTAL\_ext}^{(1)}$	External clock source or oscillator frequency	$2.6\text{ V} \leq V_{DD} \leq 3.6\text{ V}$	1	—	50	MHz
$V_{HXTALH}^{(2)}$	OSCIN input pin high level voltage	$V_{DD} = 3.3\text{ V}$	$0.7 V_{DD}$	—	$V_{DD}$	V
$V_{HXTALL}^{(2)}$	OSCIN input pin low level voltage		$V_{SS}$	—	$0.3 V_{DD}$	V
$t_{H/L(HXTAL)}^{(2)}$	OSCIN high or low time	—	5	—	—	ns
$t_{R/F(HXTAL)}^{(2)}$	OSCIN rise or fall time	—	—	—	10	ns
$C_{IN}^{(2)}$	OSCIN input capacitance	—	—	5	—	pF
$D_{CY(HXTAL)}^{(2)}$	Duty cycle	—	40	—	60	%

(1). Based on characterization, not tested in production.

(2). Guaranteed by design, not tested in production.

**Table 4-15. Low speed external clock (LXTAL) generated from a crystal/ceramic characteristics**

Symbol	Parameter	Conditions	Min	Typ	Max	Unit
$f_{LXTAL}^{(1)}$	Crystal or ceramic frequency	$V_{DD} = 3.3\text{ V}$	—	32.768	—	kHz
$C_{LXTAL}^{(2)(3)}$	Recommended matching capacitance on OSC32IN and OSC32OUT	—	—	15	—	pF
$D_{CY(LXTAL)}^{(2)}$	Crystal or ceramic duty cycle	—	30	—	70	%
$g_m^{(2)}$	Oscillator transconductance	Lower driving capability	—	4	—	μA/V
		Medium low driving capability	—	6	—	
		Medium high driving capability	—	12	—	
		Higher driving capability	—	18	—	
$I_{DDLXTAL}^{(1)}$	Crystal or ceramic operating current	$LXTALDRI[1:0] = 00$	—	0.7	—	μA
		$LXTALDRI[1:0] = 01$	—	0.8	—	
		$LXTALDRI[1:0] = 10$	—	1.0	—	
		$LXTALDRI[1:0] = 11$	—	1.3	—	
$t_{SULXTAL}^{(1)(4)}$	Crystal or ceramic startup	—	—	1.8	—	s

	time					
--	------	--	--	--	--	--

- (1). Based on characterization, not tested in production.  
(2). Guaranteed by design, not tested in production.  
(3).  $C_{LXTAL1} = C_{LXTAL2} = 2 * (C_{LOAD} - C_S)$ , For  $C_{LXTAL1}$  and  $C_{LXTAL2}$ , it is recommended matching capacitance on OSC32IN and OSC32OUT. For  $C_{LOAD}$ , it is crystal/ceramic load capacitance, provided by the crystal or ceramic manufacturer. For  $C_S$ , it is PCB and MCU pin stray capacitance.  
(4).  $t_{SULXTAL}$  is the startup time measured from the moment it is enabled (by software) to the 32.768 kHz oscillator stabilization flags is SET. This value varies significantly with the crystal manufacturer.

**Table 4-16. Low speed external user clock characteristics (LXTAL in bypass mode)**

Symbol	Parameter	Conditions	Min	Typ	Max	Unit
$f_{LXTAL\_ext}^{(1)}$	External clock source or oscillator frequency	$V_{DD} = 3.3 V$	—	32.768	1000	kHz
$V_{LXTALH}^{(2)}$	OSC32IN input pin high level voltage	—	0.7 $V_{DD}$	—	$V_{DD}$	V
$V_{LXTALL}^{(2)}$	OSC32IN input pin low level voltage	—	$V_{SS}$	—	0.3 $V_{DD}$	
$t_{H/L(LXTAL)}^{(2)}$	OSC32IN high or low time	—	450	—	—	ns
$t_{R/F(LXTAL)}^{(2)}$	OSC32IN rise or fall time	—	—	—	50	
$C_{IN}^{(2)}$	OSC32IN input capacitance	—	—	5	—	pF
$D_{ucy(LXTAL)}^{(2)}$	Duty cycle	—	30	50	70	%

- (1). Based on characterization, not tested in production.  
(2). Guaranteed by design, not tested in production.

## 4.8. Internal clock characteristics

**Table 4-17. High speed internal clock (IRC8M) characteristics**

Symbol	Parameter	Conditions	Min	Typ	Max	Unit
$f_{IRC8M}$	High Speed Internal Oscillator (IRC8M) frequency	$V_{DD} = V_{DDA} = 3.3 V$	—	8	—	MHz
$ACC_{IRC8M}$	IRC8M oscillator Frequency accuracy, Factory-trimmed	$V_{DD} = V_{DDA} = 3.3 V$ , $T_A = -40\text{ }^{\circ}\text{C} \sim +85\text{ }^{\circ}\text{C}^{(1)}$	-2.5	—	+2.5	%
		$V_{DD} = V_{DDA} = 3.3 V$ , $T_A = 0\text{ }^{\circ}\text{C} \sim +85\text{ }^{\circ}\text{C}^{(1)}$	-1.8	—	+1.8	%
		$V_{DD} = V_{DDA} = 3.3 V$ , $T_A = 25\text{ }^{\circ}\text{C}$	-1.0	—	+1.0	%
	IRC8M oscillator Frequency accuracy, User trimming step <sup>(1)</sup>	—	—	0.5	—	%
$D_{ucyIRC8M}^{(2)}$	IRC8M oscillator duty cycle	$V_{DD} = V_{DDA} = 3.3 V$	45	50	55	%
$I_{DDAIRC8M}^{(1)}$	IRC8M oscillator operating current	$V_{DD} = V_{DDA} = 3.3 V$ , $f_{HCLK} = f_{HXTAL\_PLL} = 168\text{ MHz}$	—	66	—	$\mu\text{A}$
$t_{SUIRC8M}^{(1)}$	IRC8M oscillator startup time	$V_{DD} = V_{DDA} = 3.3 V$ , $f_{HCLK} = f_{HXTAL\_PLL} = 168\text{ MHz}$	—	3.6	—	$\mu\text{s}$

- (1). Based on characterization, not tested in production.  
 (2). Guaranteed by design, not tested in production.

**Table 4-18. Low speed internal clock (IRC40K) characteristics**

Symbol	Parameter	Conditions	Min	Typ	Max	Unit
$f_{IRC40K}^{(1)}$	Low Speed Internal oscillator (IRC40K) frequency	$V_{DD} = V_{DDA} = 3.3 V$ , $T_A = -40\text{ }^{\circ}\text{C} \sim +85\text{ }^{\circ}\text{C}$	20	40	45	kHz
$I_{DDAIRC40K}^{(2)}$	IRC40K oscillator operating current	$V_{DD} = V_{DDA} = 3.3 V$ , $f_{HCLK} = f_{HXTAL\_PLL} = 168\text{ MHz}$ , $T_A = 25\text{ }^{\circ}\text{C}$	—	0.4	—	$\mu\text{A}$
$t_{SUIRC40K}^{(2)}$	IRC40K oscillator startup time	$V_{DD} = V_{DDA} = 3.3 V$ , $f_{HCLK} =$ $f_{HXTAL\_PLL} = 168\text{ MHz}$ , $T_A = 25\text{ }^{\circ}\text{C}$	—	96	—	$\mu\text{s}$

- (1). Guaranteed by design, not tested in production.  
 (2). Based on characterization, not tested in production.

**Table 4-19. High speed internal clock (IRC48M) characteristics**

Symbol	Parameter	Conditions	Min	Typ	Max	Unit
$f_{IRC48M}$	High Speed Internal Oscillator (IRC48M) frequency	$V_{DD} = 3.3 V$	—	48	—	MHz
$ACC_{IRC48M}$	IRC48M oscillator Frequency accuracy, Factory-trimmed	$V_{DD} = V_{DDA} = 3.3 V$ , $T_A = -40\text{ }^{\circ}\text{C} \sim +85\text{ }^{\circ}\text{C}^{(1)}$	-4.0	—	+5.0	%
		$V_{DD} = V_{DDA} = 3.3 V$ , $T_A = 0\text{ }^{\circ}\text{C} \sim +85\text{ }^{\circ}\text{C}^{(1)}$	-3.0	—	+3.0	%
		$V_{DD} = V_{DDA} = 3.3 V$ , $T_A = 25\text{ }^{\circ}\text{C}$	-2.0	—	+2.0	%
	IRC48M oscillator Frequency accuracy, User trimming step <sup>(1)</sup>	—	—	0.12	—	%
$D_{ucyIRC48M}^{(2)}$	IRC48M oscillator duty cycle	$V_{DD} = V_{DDA} = 3.3 V$	45	50	55	%
$I_{DDAIRC48M}^{(1)}$	IRC48M oscillator operating current	$V_{DD} = V_{DDA} = 3.3 V$ , $f_{HCLK} = f_{HXTAL\_PLL} = 168\text{ MHz}$	—	356	—	$\mu\text{A}$
$t_{SUIRC48M}^{(1)}$	IRC48M oscillator startup time	$V_{DD} = V_{DDA} = 3.3 V$ , $f_{HCLK} = f_{HXTAL\_PLL} = 168\text{ MHz}$	—	2.5	—	$\mu\text{s}$

- (1). Based on characterization, not tested in production.  
 (2). Guaranteed by design, not tested in production.

## 4.9. PLL characteristics

**Table 4-20. PLL characteristics**

Symbol	Parameter	Conditions	Min	Typ	Max	Unit
$f_{PLLIN}^{(1)}$	PLL input clock frequency	—	1	—	25	MHz
$f_{PLLOUT}$	PLL output clock frequency	—	16	—	168	MHz
$f_{VCO}$	PLL VCO output clock frequency	—	32	—	344	MHz
$t_{LOCK}^{(2)}$	PLL lock time	—	—	—	300	$\mu$ s
$I_{DDA}^{(1)(3)}$	Current consumption on $V_{DDA}$	VCO freq = 344 MHz	—	683	—	$\mu$ A
$Jitter_{PLL}^{(1)(4)}$	Cycle to cycle Jitter (rms)	System clock	—	35	—	ps
	Cycle to cycle Jitter (peak to peak)		—	371	—	

(1). Based on characterization, not tested in production.

(2). Guaranteed by design, not tested in production.

(3). System clock = IRC8M = 8 MHz, PLL clock source = IRC8M/2 = 4 MHz,  $f_{PLLOUT}$  = 168 MHz.

(4). Value given with main PLL running.

**Table 4-21. PLL1 characteristics**

Symbol	Parameter	Conditions	Min	Typ	Max	Unit
$f_{PLLIN}^{(1)}$	PLL input clock frequency	—	1	—	25	MHz
$f_{PLLOUT}$	PLL output clock frequency	—	16	—	168	MHz
$f_{VCO}$	PLL VCO output clock frequency	—	32	—	200	MHz
$t_{LOCK}^{(2)}$	PLL lock time	—	—	—	300	$\mu$ s
$I_{DDA}^{(1)(3)}$	Current consumption on $V_{DDA}$	VCO freq = 200 MHz	—	520	—	$\mu$ A
$Jitter_{PLL}^{(1)(4)}$	Cycle to cycle Jitter (rms)	System clock	—	35	—	ps
	Cycle to cycle Jitter (peak to peak)		—	371	—	

(1). Based on characterization, not tested in production.

(2). Guaranteed by design, not tested in production.

(3). System clock = IRC8M = 8 MHz, PLL1 clock source = IRC8M/2 = 4 MHz,  $f_{PLLOUT}$  = 168 MHz.

(4). Value given with main PLL running.

**Table 4-22. PLL2 characteristics**

Symbol	Parameter	Conditions	Min	Typ	Max	Unit
$f_{PLLIN}^{(1)}$	PLL input clock frequency	—	1	—	25	MHz
$f_{PLLOUT}$	PLL output clock frequency	—	16	—	168	MHz
$f_{VCO}$	PLL VCO output clock frequency	—	32	—	200	MHz
$t_{LOCK}^{(2)}$	PLL lock time	—	—	—	300	$\mu$ s
$I_{DDA}^{(1)(3)}$	Current consumption on $V_{DDA}$	VCO freq = 200 MHz	—	520	—	$\mu$ A
$Jitter_{PLL}^{(1)(4)}$	Cycle to cycle Jitter (rms)	System clock	—	35	—	ps
	Cycle to cycle Jitter (peak to peak)		—	371	—	

(1). Based on characterization, not tested in production.

(2). Guaranteed by design, not tested in production.

(3). System clock = IRC8M = 8 MHz, PLL2 clock source = IRC8M/2 = 4 MHz,  $f_{PLLOUT}$  = 168 MHz.

(4). Value given with main PLL running.

## 4.10. Memory characteristics

**Table 4-23. Flash memory characteristics**

Symbol	Parameter	Conditions	Min <sup>(1)</sup>	Typ <sup>(1)</sup>	Max <sup>(2)</sup>	Unit
$PE_{CYC}$	Number of guaranteed program /erase cycles before failure (Endurance)	$T_A = -40\text{ }^{\circ}\text{C} \sim +85\text{ }^{\circ}\text{C}$	100	—	—	kcycles
$t_{RET}$	Data retention time	—	—	20	—	years
$t_{PROG}$	Word programming time	$T_A = -40\text{ }^{\circ}\text{C} \sim +85\text{ }^{\circ}\text{C}$	—	37.5	86	$\mu$ s
$t_{ERASE}$	Page erase time	$T_A = -40\text{ }^{\circ}\text{C} \sim +85\text{ }^{\circ}\text{C}$	—	45	200/300 <sup>(3)</sup>	ms
$t_{MERASE(256K)}$	Mass erase time	$T_A = -40\text{ }^{\circ}\text{C} \sim +85\text{ }^{\circ}\text{C}$	—	1	4.8/8.0 <sup>(4)</sup>	s
$t_{MERASE(512K)}$	Mass erase time	$T_A = -40\text{ }^{\circ}\text{C} \sim +85\text{ }^{\circ}\text{C}$	—	4	19.2/32 <sup>(5)</sup>	s
$t_{MERASE(1MB)}$	Mass erase time	$T_A = -40\text{ }^{\circ}\text{C} \sim +85\text{ }^{\circ}\text{C}$	—	6	28.8/48 <sup>(6)</sup>	s
$t_{MERASE(2MB)}$	Mass erase time	$T_A = -40\text{ }^{\circ}\text{C} \sim +85\text{ }^{\circ}\text{C}$	—	10	48/80 <sup>(7)</sup>	s
$t_{MERASE(3MB)}$	Mass erase time	$T_A = -40\text{ }^{\circ}\text{C} \sim +85\text{ }^{\circ}\text{C}$	—	14	67.2/112 <sup>(8)</sup>	s

(1). Based on characterization, not tested in production.

(2). Guaranteed by design, not tested in production.

(3). Max value with <50K cycles is 200 ms and >50K & <100K cycles is 300 ms.

(4). Max value with <50K cycles is 4.8 s and >50K & <100K cycles is 8.0 s.

(5). Max value with <50K cycles is 19.2 s and >50K & <100K cycles is 32 s.

(6). Max value with <50K cycles is 28.8 s and >50K & <100K cycles is 48 s.

(7). Max value with <50K cycles is 48 s and >50K & <100K cycles is 80 s.

(8). Max value with <50K cycles is 67.2 s and >50K & <100K cycles is 112 s.

### 4.11. NRST pin characteristics

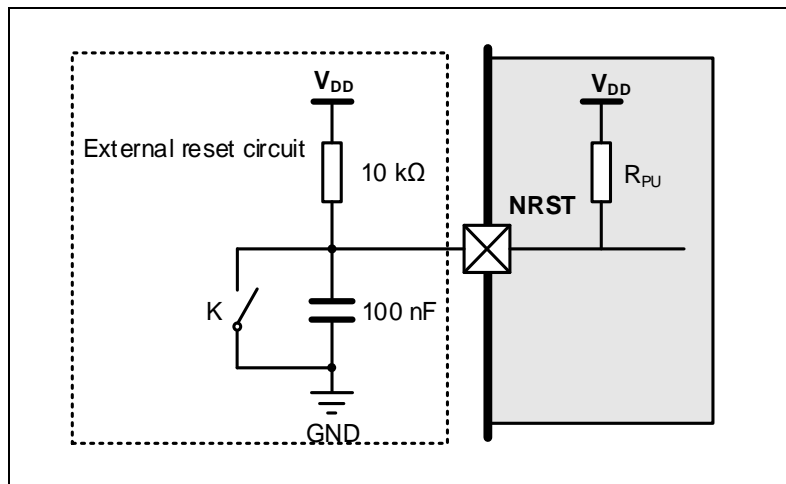
Table 4-24. NRST pin characteristics

Symbol	Parameter	Conditions	Min	Typ	Max	Unit
$V_{IL(NRST)}^{(1)}$	NRST Input low level voltage	$V_{DD} = V_{DDA} = 2.6\text{ V}$	-0.5	—	$0.3 V_{DD}$	V
$V_{IH(NRST)}^{(1)}$	NRST Input high level voltage		$0.7 V_{DD}$	—	$V_{DD} + 0.5$	
$V_{hyst}^{(1)}$	Schmidt trigger Voltage hysteresis		—	390	—	mV
$V_{IL(NRST)}^{(1)}$	NRST Input low level voltage	$V_{DD} = V_{DDA} = 3.3\text{ V}$	-0.5	—	$0.3 V_{DD}$	V
$V_{IH(NRST)}^{(1)}$	NRST Input high level voltage		$0.7 V_{DD}$	—	$V_{DD} + 0.5$	
$V_{hyst}^{(1)}$	Schmidt trigger Voltage hysteresis		—	410	—	mV
$V_{IL(NRST)}^{(1)}$	NRST Input low level voltage	$V_{DD} = V_{DDA} = 3.6\text{ V}$	-0.5	—	$0.3 V_{DD}$	V
$V_{IH(NRST)}^{(1)}$	NRST Input high level voltage		$0.7 V_{DD}$	—	$V_{DD} + 0.5$	
$V_{hyst}^{(1)}$	Schmidt trigger Voltage hysteresis		—	430	—	mV
$R_{pu}^{(2)}$	Pull-up equivalent resistor	—	—	40	—	k $\Omega$

(1). Based on characterization, not tested in production.

(2). Guaranteed by design, not tested in production.

Figure 4-4. Recommended external NRST pin circuit



### 4.12. GPIO characteristics

Table 4-25. I/O port DC characteristics<sup>(1) (3)</sup>

Symbol	Parameter	Conditions	Min	Typ	Max	Unit
$V_{IL}$	Standard IO Low level input voltage	$2.6\text{ V} \leq V_{DD} = V_{DDA} \leq 3.6\text{ V}$	—	—	$0.3 V_{DD}$	V
	5V-tolerant IO Low level input voltage	$2.6\text{ V} \leq V_{DD} = V_{DDA} \leq 3.6\text{ V}$	—	—	$0.3 V_{DD}$	V
$V_{IH}$	Standard IO Low level input voltage	$2.6\text{ V} \leq V_{DD} = V_{DDA} \leq 3.6\text{ V}$	$0.7 V_{DD}$	—	—	V
	5V-tolerant IO Low level input voltage	$2.6\text{ V} \leq V_{DD} = V_{DDA} \leq 3.6\text{ V}$	$0.7 V_{DD}$	—	—	V



V <sub>OL</sub>	Low level output voltage for an IO Pin (I <sub>IO</sub> = +8mA)	V <sub>DD</sub> = 2.6 V	—	—	0.17	V	
		V <sub>DD</sub> = 3.3 V	—	—	0.16		
		V <sub>DD</sub> = 3.6 V	—	—	0.15		
V <sub>OL</sub>	Low level output voltage for an IO Pin (I <sub>IO</sub> = +20mA)	V <sub>DD</sub> = 2.6 V	—	—	0.49	V	
		V <sub>DD</sub> = 3.3 V	—	—	0.4		
		V <sub>DD</sub> = 3.6 V	—	—	0.34		
V <sub>OH</sub>	High level output voltage for an IO Pin (I <sub>IO</sub> = +8mA)	V <sub>DD</sub> = 2.6 V	2.4	—	—	V	
		V <sub>DD</sub> = 3.3 V	3.15	—	—		
		V <sub>DD</sub> = 3.6 V	3.44	—	—		
V <sub>OH</sub>	High level output voltage for an IO Pin (I <sub>IO</sub> = +20mA)	V <sub>DD</sub> = 2.6 V	2.02	—	—	V	
		V <sub>DD</sub> = 3.3 V	2.8	—	—		
		V <sub>DD</sub> = 3.6 V	3.15	—	—		
R <sub>PU</sub> <sup>(2)</sup>	Internal pull-up resistor	All pins	V <sub>IN</sub> = V <sub>SS</sub>	30	40	50	kΩ
		PA10	—	7.5	10	13.5	
R <sub>PD</sub> <sup>(2)</sup>	Internal pull- down resistor	All pins	V <sub>IN</sub> = V <sub>DD</sub>	30	40	50	kΩ
		PA10	—	7.5	10	13.5	

(1). Based on characterization, not tested in production.

(2). Guaranteed by design, not tested in production.

(3). All pins except PC13 / PC14 / PC15. Since PC13 to PC15 are supplied through the Power Switch, which can only be obtained by a small current, the speed of GPIOs PC13 to PC15 should not exceed 2 MHz when they are in output mode(maximum load: 30 pF).

**Table 4-26. I/O port AC characteristics<sup>(1)(2)</sup>**

GPIOx_MDy[1:0] bit value <sup>(3)</sup>	Parameter	Conditions	Max	Unit
GPIOx_CTL->MDy[1:0]=10 (IO_Speed = 2MHz)	Maximum frequency <sup>(4)</sup>	2.6 ≤ V <sub>DD</sub> ≤ 3.6 V, C <sub>L</sub> = 10 pF	15	MHz
		2.6 ≤ V <sub>DD</sub> ≤ 3.6 V, C <sub>L</sub> = 30 pF	10	
		2.6 ≤ V <sub>DD</sub> ≤ 3.6 V, C <sub>L</sub> = 50 pF	8	
GPIOx_CTL->MDy[1:0] = 01 (IO_Speed = 10MHz)	Maximum frequency <sup>(4)</sup>	2.6 ≤ V <sub>DD</sub> ≤ 3.6 V, C <sub>L</sub> = 10 pF	50	MHz
		2.6 ≤ V <sub>DD</sub> ≤ 3.6 V, C <sub>L</sub> = 30 pF	25	
		2.6 ≤ V <sub>DD</sub> ≤ 3.6 V, C <sub>L</sub> = 50 pF	15	
GPIOx_CTL->MDy[1:0]=11 (IO_Speed = 50MHz)	Maximum frequency <sup>(4)</sup>	2.6 ≤ V <sub>DD</sub> ≤ 3.6 V, C <sub>L</sub> = 10 pF	100	MHz
		2.6 ≤ V <sub>DD</sub> ≤ 3.6 V, C <sub>L</sub> = 30 pF	70	
		2.6 ≤ V <sub>DD</sub> ≤ 3.6 V, C <sub>L</sub> = 50 pF	50	
GPIOx_CTL->MDy[1:0]=11 and GPIOx_SPDy=1 (IO_Speed = MAX)	Maximum frequency <sup>(4)</sup>	2.6 ≤ V <sub>DD</sub> ≤ 3.6 V, C <sub>L</sub> = 10 pF	168	MHz
		2.6 ≤ V <sub>DD</sub> ≤ 3.6 V, C <sub>L</sub> = 30 pF	100	
		2.6 ≤ V <sub>DD</sub> ≤ 3.6 V, C <sub>L</sub> = 50 pF	60	

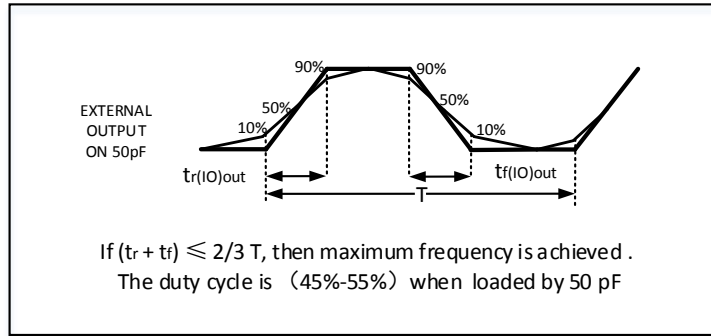
(1). Based on characterization, not tested in production.

(2). Unless otherwise specified, all test results given for T<sub>A</sub> = 25 °C.

(3). The I/O speed is configured using the GPIOx\_CTL -> MDy[1:0] bits. Refer to the GD32F403 user manual which is selected to set the GPIO port output speed.

(4). The maximum frequency is defined in Figure 4-5, and maximum frequency cannot exceed 168 MHz.

**Figure 4-5. I/O port AC characteristics definition**



### 4.13. ADC characteristics

Table 4-27. ADC characteristics

Symbol	Parameter	Conditions	Min	Typ	Max	Unit
$V_{DDA}^{(1)}$	Operating voltage	—	2.6	3.3	3.6	V
$V_{IN}^{(1)}$	ADC input voltage range	—	0	—	$V_{REF+}$	V
$V_{REF+}^{(2)}$	Positive Reference Voltage	—	2.4	—	$V_{DDA}$	V
$V_{REF-}^{(2)}$	Negative Reference Voltage	—	—	$V_{SSA}$	—	V
$f_{ADC}^{(1)}$	ADC clock	—	0.1	—	40	MHz
$f_s^{(1)}$	Sampling rate	12-bit	0.007	—	2.86	MSP
		10-bit	0.008	—	3.33	
		8-bit	0.01	—	4	S
		6-bit	0.012	—	5	
$V_{AIN}^{(1)}$	Analog input voltage	16 external; 2 internal	0	—	$V_{DDA}$	V
$R_{AIN}^{(2)}$	External input impedance	See <a href="#">Equation 1</a>	—	—	32.9	k $\Omega$
$R_{ADC}^{(2)}$	Input sampling switch resistance	—	—	—	0.55	k $\Omega$
$C_{ADC}^{(2)}$	Input sampling capacitance	No pin/pad capacitance included	—	—	5.5	pF
$t_{CAL}^{(2)}$	Calibration time	$f_{ADC} = 40$ MHz	—	3.275	—	$\mu$ s
$t_s^{(2)}$	Sampling time	$f_{ADC} = 40$ MHz	0.0375	—	5.99	$\mu$ s
$t_{CONV}^{(2)}$	Total conversion time(including sampling time)	12-bit	—	14	—	1/ $f_{ADC}$
		10-bit	—	12	—	
		8-bit	—	10	—	
		6-bit	—	8	—	
$t_{SU}^{(2)}$	Startup time	—	—	—	1	$\mu$ s

(1). Based on characterization, not tested in production.

(2). Guaranteed by design, not tested in production.

**Equation 1:**  $R_{AIN}$  max formula  $R_{AIN} < \frac{T_s}{f_{ADC} * C_{ADC} * \ln(2^{N+2})} - R_{ADC}$

The formula above (Equation 1) is used to determine the maximum external impedance allowed for an error below 1/4 of LSB. Here N = 12 (from 12-bit resolution).

**Table 4-28. ADC  $R_{AIN\ max}$  for  $f_{ADC} = 40\ MHz$** 

$T_s$ (cycles)	$t_s$ ( $\mu s$ )	$R_{AIN\ max}$ (k $\Omega$ )
1.5	0.0375	0.15
7.5	0.1875	2.96
13.5	0.3375	5.77
28.5	0.7125	12.8
41.5	1.0375	18.9
55.5	1.3875	25.4
71.5	1.7875	32.9
239.5	5.9875	N/A

**Table 4-29. ADC dynamic accuracy at  $f_{ADC} = 14\ MHz^{(1)}$** 

Symbol	Parameter	Test conditions	Min	Typ	Max	Unit
ENOB	Effective number of bits	$f_{ADC} = 14\ MHz$	—	10.8	—	bits
SNDR	Signal-to-noise and distortion ratio	$V_{DDA} = V_{REF+} = 3.3\ V$	—	66.7	—	dB
SNR	Signal-to-noise ratio	Input Frequency = 20 kHz	—	67.4	—	
THD	Total harmonic distortion	Temperature = 25 °C	—	-76.3	—	

(1). Based on characterization, not tested in production.

**Table 4-30. ADC dynamic accuracy at  $f_{ADC} = 40\ MHz^{(1)}$** 

Symbol	Parameter	Test conditions	Min	Typ	Max	Unit
ENOB	Effective number of bits	$f_{ADC} = 40\ MHz$	—	10	—	bits
SNDR	Signal-to-noise and distortion ratio	$V_{DDA} = V_{REF+} = 3.3\ V$	—	62	—	dB
SNR	Signal-to-noise ratio	Input Frequency = 20 kHz	—	62.2	—	
THD	Total harmonic distortion	Temperature = 25 °C	—	-68.6	—	

(1). Based on characterization, not tested in production.

**Table 4-31. ADC static accuracy at  $f_{ADC} = 14\ MHz^{(1)}$** 

Symbol	Parameter	Test conditions	Typ	Max	Unit
Offset	Offset error	$f_{ADC} = 14\ MHz$ $V_{DDA} = V_{REF+} = 3.3\ V$	$\pm 1$	—	LSB
DNL	Differential linearity error		$\pm 0.9$	—	
INL	Integral linearity error		$\pm 1$	—	

(1). Based on characterization, not tested in production.

## 4.14. Temperature sensor characteristics

**Table 4-32. Temperature sensor characteristics<sup>(1)</sup>**

Symbol	Parameter	Min	Typ	Max	Unit
$T_L$	$V_{SENSE}$ linearity with temperature	—	$\pm 1.5$	—	°C
Avg_Slope	Average slope	—	4.1	—	mV/°C
$V_{25}$	Voltage at 25 °C	—	1.45	—	V
$t_{S\_temp}^{(2)}$	ADC sampling time when reading the temperature	—	17.1	—	$\mu s$

(1). Based on characterization, not tested in production.

(2). Shortest sampling time can be determined in the application by multiple iterations.

## 4.15. DAC characteristics

**Table 4-33. DAC characteristics**

Symbol	Parameter	Conditions	Min	Typ	Max	Unit
$V_{DDA}^{(1)}$	Operating voltage	—	2.6	3.3	3.6	V
$V_{REF+}^{(2)}$	Positive Reference Voltage	—	2.4	—	$V_{DDA}$	v
$V_{REF-}^{(2)}$	Negative Reference Voltage	—	—	$V_{SSA}$	—	v
$R_{LOAD}^{(2)}$	Load resistance	Resistive load with buffer ON	5	—	—	k $\Omega$
$R_o^{(2)}$	Impedance output with buffer OFF	—	—	—	15	k $\Omega$
$C_{LOAD}^{(2)}$	Load capacitance	No pin/pad capacitance included	—	—	50	pF
DAC_OUT min <sup>(2)</sup>	Lower DAC_OUT voltage with buffer ON	—	0.2	—	—	V
DAC_OUT max <sup>(2)</sup>	Higher DAC_OUT voltage with buffer ON	—	—	—	$V_{DDA}-0.2$	V
DAC_OUT min <sup>(2)</sup>	Lower DAC_OUT voltage with buffer OFF	—	—	0.5	—	mV
DAC_OUT max <sup>(2)</sup>	Higher DAC_OUT voltage with buffer OFF	—	—	—	$V_{DDA}-1\text{LSB}$	V
$I_{DDA}^{(1)}$	DAC current consumption in quiescent mode	With no load, middle code(0x800) on the input, $V_{REF+} = 3.6\text{ V}$	—	470	—	$\mu\text{A}$
		With no load, worst code(0xF1C) on the input, $V_{REF+} = 3.6\text{ V}$	—	500	—	$\mu\text{A}$
$I_{DDVREF+}^{(1)}$	DAC current consumption in quiescent mode	With no load, middle code(0x800) on the input, $V_{REF+} = 3.6\text{ V}$	—	86	—	$\mu\text{A}$
		With no load, worst code(0xF1C) on the input, $V_{REF+} = 3.6\text{ V}$	—	298	—	$\mu\text{A}$
DNL <sup>(1)</sup>	Differential non-linearity error	DAC in 12-bit mode	—	—	$\pm 3$	LSB
INL <sup>(1)</sup>	Integral non-linearity	DAC in 12-bit mode	—	—	$\pm 4$	LSB
Offset <sup>(1)</sup>	Offset error	DAC in 12-bit mode	—	—	$\pm 12$	LSB
GE <sup>(1)</sup>	Gain error	DAC in 12-bit mode	—	—	$\pm 0.5$	%
$T_{\text{setting}}^{(1)}$	Settling time	$C_{LOAD} \leq 50\text{ pF}$ , $R_{LOAD} \geq 5\text{ k}\Omega$	—	0.3	1	$\mu\text{s}$
$T_{\text{wakeup}}^{(2)}$	Wakeup from off state	—	—	5	10	$\mu\text{s}$
Update	Max frequency for a correct	$C_{LOAD} \leq 50\text{ pF}$ , $R_{LOAD} \geq 5\text{ k}\Omega$	—	—	4	MS/s

Symbol	Parameter	Conditions	Min	Typ	Max	Unit
rate <sup>(2)</sup>	DAC_OUT change from code i to i±1LSBs					
PSRR <sup>(2)</sup>	Power supply rejection ratio (to V <sub>DDA</sub> )	—	55	80	—	dB

(1). Based on characterization, not tested in production.

(2). Guaranteed by design, not tested in production.

## 4.16. I2C characteristics

**Table 4-34. I2C characteristics<sup>(1)(2)</sup>**

Symbol	Parameter	Conditions	Standard mode		Fast mode		Fast mode plus		Unit
			Min	Max	Min	Max	Min	Max	
t <sub>SCL(H)</sub>	SCL clock high time	—	4.0	—	0.6	—	0.2	—	μs
t <sub>SCL(L)</sub>	SCL clock low time	—	4.7	—	1.3	—	0.5	—	μs
t <sub>su(SDA)</sub>	SDA setup time	—	2	—	0.8	—	0.1	—	μs
t <sub>h(SDA)</sub>	SDA data hold time	—	250	—	250	—	130	—	ns
t <sub>r(SDA/SCL)</sub>	SDA and SCL rise time	—	—	1000	20	300	—	120	ns
t <sub>f(SDA/SCL)</sub>	SDA and SCL fall time	—	4	300	4	300	4	120	ns
t <sub>h(STA)</sub>	Start condition hold time	—	4.0	—	0.6	—	0.26	—	μs

(1). Guaranteed by design, not tested in production.

(2). Test condition :GPIO\_SPEED set 2 MHz and external pull-up resistor value is 1 kΩ when operate EEPROM with I2C.

## 4.17. SPI characteristics

**Table 4-35. Standard SPI characteristics<sup>(1)</sup>**

Symbol	Parameter	Conditions	Min	Typ	Max	Unit
f <sub>SCK</sub>	SCK clock frequency	—	—	—	30	MHz
t <sub>SCK(H)</sub>	SCK clock high time	Master mode, f <sub>PCLKx</sub> = 120 MHz, presc = 8	31.83	33.33	34.83	ns
t <sub>SCK(L)</sub>	SCK clock low time	Master mode, f <sub>PCLKx</sub> = 120 MHz, presc = 8	31.83	33.33	34.83	ns
<b>SPI master mode</b>						
t <sub>V(MO)</sub>	Data output valid time	—	—	5	6	ns
t <sub>H(MO)</sub>	Data output hold time	—	3	—	—	ns
t <sub>SU(MI)</sub>	Data input setup time	—	1	—	—	ns
t <sub>H(MI)</sub>	Data input hold time	—	0	—	—	ns
<b>SPI slave mode</b>						
t <sub>SU(NSS)</sub>	NSS enable setup time	—	0	—	—	ns
t <sub>H(NSS)</sub>	NSS enable hold time	—	1	—	—	ns
t <sub>A(SO)</sub>	Data output access time	—	5	—	9	ns
t <sub>DIS(SO)</sub>	Data output disable time	—	6	—	10	ns
t <sub>V(SO)</sub>	Data output valid time	—	—	10	12	ns
t <sub>H(SO)</sub>	Data output hold time	—	8	—	—	ns
t <sub>SU(SI)</sub>	Data input setup time	—	0	—	—	ns
t <sub>H(SI)</sub>	Data input hold time	—	1	—	—	ns

(1). Based on characterization, not tested in production.

## 4.18. I2S characteristics

**Table 4-36. I2S characteristics<sup>(1) (2)</sup>**

Symbol	Parameter	Conditions	Min	Typ	Max	Unit
$f_{CK}$	Clock frequency	Master mode (data: 16 bits, Audio frequency = 96 kHz)	3.075	3.077	3.079	MHz
		Slave mode	0	—	10	
$t_H$	Clock high time	—	162	—	—	ns
$t_L$	Clock low time		163	—	—	ns
$t_{V(WS)}$	WS valid time	Master mode	0	—	—	ns
$t_{H(WS)}$	WS hold time	Master mode	0	—	—	ns
$t_{SU(WS)}$	WS setup time	Slave mode	0	—	—	ns
$t_{H(WS)}$	WS hold time	Slave mode	2	—	—	ns
$D_{CY(SCK)}$	I2S slave input clock duty cycle	Slave mode	—	50	—	%
$t_{SU(SD\_MR)}$	Data input setup time	Master mode	1	—	—	ns
$t_{SU(SD\_SR)}$	Data input setup time	Slave mode	0	—	—	ns
$t_{H(SD\_MR)}$	Data input hold time	Master receiver	0	—	—	ns
$t_{H(SD\_SR)}$		Slave receiver	1	—	—	ns
$t_{V(SD\_ST)}$	Data output valid time	Slave transmitter (after enable edge)	—	—	12	ns
$t_{H(SD\_ST)}$	Data output hold time	Slave transmitter (after enable edge)	7	—	—	ns
$t_{V(SD\_MT)}$	Data output valid time	Master transmitter (after enable edge)	—	—	6	ns
$t_{H(SD\_MT)}$	Data output hold time	Master transmitter (after enable edge)	2	—	—	ns

(1). Guaranteed by design, not tested in production.

(2). Based on characterization, not tested in production.

## 4.19. USART characteristics

**Table 4-37. USART characteristics<sup>(1)</sup>**

Symbol	Parameter	Conditions	Min	Typ	Max	Unit
$f_{SCK}$	SCK clock frequency	$f_{PCLKx} = 168 \text{ MHz}$	—	—	84	MHz
$t_{SCK(H)}$	SCK clock high time	$f_{PCLKx} = 168 \text{ MHz}$	5.8	—	—	ns
$t_{SCK(L)}$	SCK clock low time	$f_{PCLKx} = 168 \text{ MHz}$	5.8	—	—	ns

(1). Guaranteed by design, not tested in production.

## 4.20. SDIO characteristics

**Table 4-38. SDIO characteristics<sup>(1) (2)</sup>**

Symbol	Parameter	Conditions	Min	Typ	Max	Unit
$f_{PP}^{(3)}$	Clock frequency in data transfer mode	—	0	—	48	MHz
$t_{W(CKL)}^{(3)}$	Clock low time	$f_{pp} = 48$ MHz	10.5	11	—	ns
$t_{W(CKH)}^{(3)}$	Clock high time	$f_{pp} = 48$ MHz	9.5	10	—	ns
CMD, D inputs (referenced to CK) in MMC and SD HS mode						
$t_{ISU}^{(4)}$	Input setup time HS	$f_{pp} = 48$ MHz	4	—	—	ns
$t_{IH}^{(4)}$	Input hold time HS	$f_{pp} = 48$ MHz	3	—	—	ns
CMD, D outputs (referenced to CK) in MMC and SD HS mode						
$t_{OV}^{(3)}$	Output valid time HS	$f_{pp} = 48$ MHz	—	—	13.8	ns
$t_{OH}^{(3)}$	Output hold time HS	$f_{pp} = 48$ MHz	12	—	—	ns
CMD, D inputs (referenced to CK) in SD default mode						
$t_{ISUD}^{(4)}$	Input setup time SD	$f_{pp} = 24$ MHz	3	—	—	ns
$t_{IHD}^{(4)}$	Input hold time SD	$f_{pp} = 24$ MHz	3	—	—	ns
CMD, D outputs (referenced to CK) in SD default mode						
$t_{OVD}^{(3)}$	Output valid default time SD	$f_{pp} = 24$ MHz	—	2.4	2.8	ns
$t_{OHD}^{(3)}$	Output hold default time SD	$f_{pp} = 24$ MHz	0.8	—	—	ns

(1). CLK timing is measured at 50% of  $V_{DD}$ .

(2). Capacitive load  $C_L = 30$  pF.

(3). Based on characterization, not tested in production.

(4). Guaranteed by design, not tested in production.

## 4.21. CAN characteristics

Refer to [Table 4-25. I/O port DC characteristics<sup>\(1\)</sup>](#) for more details on the input/output alternate function characteristics (CANTX and CANRX).

## 4.22. USBFS characteristics

**Table 4-39. USBFS start up time**

Symbol	Parameter	Max	Unit
$t_{STARTUP}^{(1)}$	USBFS startup time	1	$\mu$ s

(1). Guaranteed by design, not tested in production.



**Table 4-40. USBFS DC electrical characteristics**

Symbol	Parameter	Conditions	Min	Typ	Max	Unit	
Input levels <sup>(1)</sup>	V <sub>DD</sub>	USBFS operating voltage	—	3	—	3.6	V
	V <sub>DI</sub>	Differential input sensitivity	—	0.2	—	—	
	V <sub>CM</sub>	Differential common mode range	Includes V <sub>DI</sub> range	0.8	—	2.5	
	V <sub>SE</sub>	Single ended receiver threshold	—	1.3	—	2.0	
Output levels <sup>(2)</sup>	V <sub>OL</sub>	Static output level low	R <sub>L</sub> of 1.0 kΩ to 3.6 V	—	0.064	0.3	V
	V <sub>OH</sub>	Static output level high	R <sub>L</sub> of 15 kΩ to V <sub>SS</sub>	2.8	3.3	3.6	
R <sub>PD</sub> <sup>(2)</sup>	PA11, PA12(USB_DM/DP)	V <sub>IN</sub> = V <sub>DD</sub>	17	20.574	24	kΩ	
	PA9(USB_VBUS)		0.65	—	2.0		
R <sub>PU</sub> <sup>(2)</sup>	PA11, PA12(USB_DM/DP)	V <sub>IN</sub> = V <sub>SS</sub>	1.5	1.585	2.1		
	PA9(USB_VBUS)		0.25	0.326	0.55		

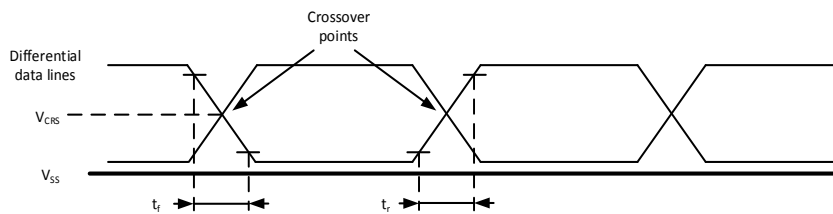
(1). Guaranteed by design, not tested in production.

(2). Based on characterization, not tested in production.

**Table 4-41. USBFS full speed-electrical characteristics<sup>(1)</sup>**

Symbol	Parameter	Conditions	Min	Typ	Max	Unit
t <sub>R</sub>	Rise time	C <sub>L</sub> = 50 pF	4	—	20	ns
t <sub>F</sub>	Fall time	C <sub>L</sub> = 50 pF	4	—	20	ns
t <sub>RFM</sub>	Rise/ fall time matching	t <sub>R</sub> / t <sub>F</sub>	90	—	110	%
V <sub>CRS</sub>	Output signal crossover voltage	—	1.3	—	2.0	V

(1). Guaranteed by design, not tested in production.

**Figure 4-6. USBFS timings: definition of data signal rise and fall time**


## 4.23. EXMC characteristics

**Table 4-42. Asynchronous non-multiplexed SRAM/PSRAM/NOR read timings<sup>(1)(2)(3)(4)</sup>**

Symbol	Parameter	Min	Max	Unit
t <sub>w(NE)</sub>	EXMC_NE low time	28.75	30.75	ns
t <sub>v(NOE_NE)</sub>	EXMC_NEx low to EXMC_NOE low	0	—	ns
t <sub>w(NOE)</sub>	EXMC_NOE low time	28.75	30.75	ns
t <sub>h(NE_NOE)</sub>	EXMC_NOE high to EXMC_NE high hold time	0	—	ns
t <sub>v(A_NE)</sub>	EXMC_NEx low to EXMC_A valid	0	—	ns
t <sub>v(BL_NE)</sub>	EXMC_NEx low to EXMC_BL valid	0	—	ns
t <sub>su(DATA_NE)</sub>	Data to EXMC_NEx high setup time	22.8	—	ns
t <sub>su(DATA_NOE)</sub>	Data to EXMC_NOEx high setup time	22.8	—	ns

$t_{h(DATA\_NOE)}$	Data hold time after EXMC_NOE high	0	—	ns
$t_{h(DATA\_NE)}$	Data hold time after EXMC_NEx high	0	—	ns
$t_{v(NADV\_NE)}$	EXMC_NEx low to EXMC_NADV low	0	—	ns
$t_{w(NADV)}$	EXMC_NADV low time	4.95	6.95	ns

(1).  $C_L = 30$  pF.

(2). Guaranteed by design, not tested in production.

(3). Based on characterization, not tested in production.

(4). Based on configure:  $f_{HCLK} = 168$  MHz, AddressSetupTime = 0, AddressHoldTime = 1, DataSetupTime = 1.

**Table 4-43. Asynchronous non-multiplexed SRAM/PSRAM/NOR write timings<sup>(1)(2)(3)(4)</sup>**

Symbol	Parameter	Min	Max	Unit
$t_{w(NE)}$	EXMC_NE low time	16.85	18.85	ns
$t_{v(NWE\_NE)}$	EXMC_NEx low to EXMC_NWE low	4.95	—	ns
$t_{w(NWE)}$	EXMC_NWE low time	4.95	6.95	ns
$t_{h(NE\_NWE)}$	EXMC_NWE high to EXMC_NE high hold time	4.95	6.95	ns
$t_{v(A\_NE)}$	EXMC_NEx low to EXMC_A valid	0	—	ns
$t_{v(NADV\_NE)}$	EXMC_NEx low to EXMC_NADV low	0	—	ns
$t_{w(NADV)}$	EXMC_NADV low time	4.95	6.95	ns
$t_{h(AD\_NADV)}$	EXMC_AD(address) valid hold time after EXMC_NADV high	10.9	—	ns
$t_{h(A\_NWE)}$	Address hold time after EXMC_NWE high	4.95	—	ns
$t_{h(BL\_NWE)}$	EXMC_BL hold time after EXMC_NWE high	4.95	—	ns
$t_{v(BL\_NE)}$	EXMC_NEx low to EXMC_BL valid	0	—	ns
$t_{v(DATA\_NADV)}$	EXMC_NADV high to DATA valid	0	—	ns
$t_{h(DATA\_NWE)}$	Data hold time after EXMC_NWE high	4.95	—	ns

(1).  $C_L = 30$  pF.

(2). Guaranteed by design, not tested in production.

(3). Based on characterization, not tested in production.

(4). Based on configure:  $f_{HCLK} = 168$  MHz, AddressSetupTime = 0, AddressHoldTime = 1, DataSetupTime = 1.

**Table 4-44. Asynchronous multiplexed PSRAM/NOR read timings<sup>(1)(2)(3)(4)</sup>**

Symbol	Parameter	Min	Max	Unit
$t_{w(NE)}$	EXMC_NE low time	40.65	42.65	ns
$t_{v(NOE\_NE)}$	EXMC_NEx low to EXMC_NOE low	16.85	—	ns
$t_{w(NOE)}$	EXMC_NOE low time	22.8	24.8	ns
$t_{h(NE\_NOE)}$	EXMC_NOE high to EXMC_NE high hold time	0	—	ns
$t_{v(A\_NE)}$	EXMC_NEx low to EXMC_A valid	0	—	ns
$t_{v(A\_NOE)}$	Address hold time after EXMC_NOE high	0	—	ns
$t_{v(BL\_NE)}$	EXMC_NEx low to EXMC_BL valid	0	—	ns
$t_{h(BL\_NOE)}$	EXMC_BL hold time after EXMC_NOE high	0	—	ns
$t_{su(DATA\_NE)}$	Data to EXMC_NEx high setup time	22.8	—	ns
$t_{su(DATA\_NOE)}$	Data to EXMC_NOEx high setup time	22.8	—	ns
$t_{h(DATA\_NOE)}$	Data hold time after EXMC_NOE high	0	—	ns
$t_{h(DATA\_NE)}$	Data hold time after EXMC_NEx high	0	—	ns
$t_{v(NADV\_NE)}$	EXMC_NEx low to EXMC_NADV low	0	—	ns

$t_{w(NADV)}$	EXMC_NADV low time	4.95	6.95	ns
$T_{h(AD\_NADV)}$	EXMC_AD(address) valid hold time after EXMC_NADV high	4.95	6.95	ns

- (1).  $C_L = 30$  pF.
- (2). Guaranteed by design, not tested in production.
- (3). Based on characterization, not tested in production.
- (4). Based on configure:  $f_{HCLK} = 168$  MHz, AddressSetupTime = 0, AddressHoldTime = 1, DataSetupTime = 1.

**Table 4-45. Asynchronous multiplexed PSRAM/NOR write timings<sup>(1)(2)(3)(4)</sup>**

Symbol	Parameter	Min	Max	Unit
$t_{w(NE)}$	EXMC_NE low time	28.75	30.75	ns
$t_{v(NWE\_NE)}$	EXMC_NEx low to EXMC_NWE low	4.95	—	ns
$t_{w(NWE)}$	EXMC_NWE low time	16.85	18.85	ns
$t_{h(NE\_NWE)}$	EXMC_NWE high to EXMC_NE high hold time	4.95	—	ns
$t_{v(A\_NE)}$	EXMC_NEx low to EXMC_A valid	0	—	ns
$t_{v(NADV\_NE)}$	EXMC_NEx low to EXMC_NADV low	0	—	ns
$t_{w(NADV)}$	EXMC_NADV low time	4.95	6.95	ns
$t_{h(AD\_NADV)}$	EXMC_AD(address) valid hold time after EXMC_NADV high	4.95	—	ns
$t_{h(A\_NWE)}$	Address hold time after EXMC_NWE high	4.95	—	ns
$t_{h(BL\_NWE)}$	EXMC_BL hold time after EXMC_NWE high	4.95	—	ns
$t_{v(BL\_NE)}$	EXMC_NEx low to EXMC_BL valid	0	—	ns
$t_{v(DATA\_NADV)}$	EXMC_NADV high to DATA valid	4.95	—	ns
$t_{h(DATA\_NWE)}$	Data hold time after EXMC_NWE high	4.95	—	ns

- (1).  $C_L = 30$  pF.
- (2). Guaranteed by design, not tested in production.
- (3). Based on characterization, not tested in production.
- (4). Based on configure:  $f_{HCLK} = 168$  MHz, AddressSetupTime = 0, AddressHoldTime = 1, DataSetupTime = 1.

**Table 4-46. Synchronous multiplexed PSRAM/NOR read timings<sup>(1)(2)(3)(4)</sup>**

Symbol	Parameter	Min	Max	Unit
$t_{w(CLK)}$	EXMC_CLK period	23.8	—	ns
$t_{d(CLKL\_NExL)}$	EXMC_CLK low to EXMC_NEx low	0	—	ns
$t_{d(CLKH\_NExH)}$	EXMC_CLK high to EXMC_NEx high	10.9	—	ns
$t_{d(CLKL\_NADV L)}$	EXMC_CLK low to EXMC_NADV low	0	—	ns
$t_{d(CLKL\_NADV H)}$	EXMC_CLK low to EXMC_NADV high	0	—	ns
$t_{d(CLKL\_AV)}$	EXMC_CLK low to EXMC_Ax valid	0	—	ns
$t_{d(CLKH\_AIV)}$	EXMC_CLK high to EXMC_Ax invalid	10.9	—	ns
$t_{d(CLKL\_NOEL)}$	EXMC_CLK low to EXMC_NOE low	0	—	ns
$t_{d(CLKH\_NOEH)}$	EXMC_CLK high to EXMC_NOE high	10.9	—	ns
$t_{d(CLKL\_ADV)}$	EXMC_CLK low to EXMC_AD valid	0	—	ns
$t_{d(CLKL\_ADIV)}$	EXMC_CLK low to EXMC_AD invalid	0	—	ns

- (1).  $C_L = 30$  pF.
- (2). Guaranteed by design, not tested in production.
- (3). Based on characterization, not tested in production.
- (4). Based on configure:  $f_{HCLK} = 168$  MHz, BurstAccessMode = Enable; Memory Type = PSRAM; WriteBurst = Enable; CLKDivision = 3(EXMC\_CLK is 4 divided by HCLK); Data Latency = 1.

**Table 4-47. Synchronous multiplexed PSRAM write timings<sup>(1)(2)(3)(4)</sup>**

Symbol	Parameter	Min	Max	Unit
$t_{w(CLK)}$	EXMC_CLK period	23.8	—	ns
$t_{d(CLKL-NExL)}$	EXMC_CLK low to EXMC_NEx low	0	—	ns
$t_{d(CLKH-NExH)}$	EXMC_CLK high to EXMC_NEx high	10.9	—	ns
$t_{d(CLKL-NADVl)}$	EXMC_CLK low to EXMC_NADV low	0	—	ns
$t_{d(CLKL-NADVh)}$	EXMC_CLK low to EXMC_NADV high	0	—	ns
$t_{d(CLKL-AV)}$	EXMC_CLK low to EXMC_Ax valid	0	—	ns
$t_{d(CLKH-AIV)}$	EXMC_CLK high to EXMC_Ax invalid	10.9	—	ns
$t_{d(CLKL-NWEL)}$	EXMC_CLK low to EXMC_NWE low	0	—	ns
$t_{d(CLKH-NWEH)}$	EXMC_CLK high to EXMC_NWE high	10.9	—	ns
$t_{d(CLKL-ADIV)}$	EXMC_CLK low to EXMC_AD invalid	0	—	ns
$t_{d(CLKL-DATA)}$	EXMC_A/D valid data after EXMC_CLK low	0	—	ns
$t_{h(CLKL-NBLH)}$	EXMC_CLK low to EXMC_NBL high	0	—	ns

(1).  $C_L = 30$  pF.

(2). Guaranteed by design, not tested in production.

(3). Based on characterization, not tested in production.

(4). Based on configure:  $f_{HCLK} = 168$  MHz, BurstAccessMode = Enable; MemoryType = PSRAM; WriteBurst = Enable; CLKDivision = 3 (EXMC\_CLK is 4 divided by HCLK); DataLatency = 1.

**Table 4-48. Synchronous non-multiplexed PSRAM/NOR read timings<sup>(1)(2)(3)(4)</sup>**

Symbol	Parameter	Min	Max	Unit
$t_{w(CLK)}$	EXMC_CLK period	23.8	—	ns
$t_{d(CLKL-NExL)}$	EXMC_CLK low to EXMC_NEx low	0	—	ns
$t_{d(CLKH-NExH)}$	EXMC_CLK high to EXMC_NEx high	10.9	—	ns
$t_{d(CLKL-NADVl)}$	EXMC_CLK low to EXMC_NADV low	0	—	ns
$t_{d(CLKL-NADVh)}$	EXMC_CLK low to EXMC_NADV high	0	—	ns
$t_{d(CLKL-AV)}$	EXMC_CLK low to EXMC_Ax valid	0	—	ns
$t_{d(CLKH-AIV)}$	EXMC_CLK high to EXMC_Ax invalid	10.9	—	ns
$t_{d(CLKL-NOEL)}$	EXMC_CLK low to EXMC_NOE low	0	—	ns
$t_{d(CLKH-NOEH)}$	EXMC_CLK high to EXMC_NOE high	10.9	—	ns

(1).  $C_L = 30$  pF.

(2). Guaranteed by design, not tested in production.

(3). Based on characterization, not tested in production.

(4). Based on configure:  $f_{HCLK} = 168$  MHz, BurstAccessMode = Enable; MemoryType = PSRAM; WriteBurst = Enable; CLKDivision = 3 (EXMC\_CLK is 4 divided by HCLK); DataLatency = 1.

**Table 4-49. Synchronous non-multiplexed PSRAM write timings <sup>(1)(2)(3)(4)</sup>**

Symbol	Parameter	Min	Max	Unit
$t_{w(CLK)}$	EXMC_CLK period	23.8	—	ns
$t_{d(CLKL-NExL)}$	EXMC_CLK low to EXMC_NEx low	0	—	ns
$t_{d(CLKH-NExH)}$	EXMC_CLK high to EXMC_NEx high	10.9	—	ns
$t_{d(CLKL-NADVl)}$	EXMC_CLK low to EXMC_NADV low	0	—	ns
$t_{d(CLKL-NADVh)}$	EXMC_CLK low to EXMC_NADV high	0	—	ns
$t_{d(CLKL-AV)}$	EXMC_CLK low to EXMC_Ax valid	0	—	ns
$t_{d(CLKH-AIV)}$	EXMC_CLK high to EXMC_Ax invalid	10.9	—	ns
$t_{d(CLKL-NWEL)}$	EXMC_CLK low to EXMC_NWE low	0	—	ns
$t_{d(CLKH-NWEH)}$	EXMC_CLK high to EXMC_NWE high	10.9	—	ns
$t_{d(CLKL-DATA)}$	EXMC_A/D valid data after EXMC_CLK low	0	—	ns
$t_{h(CLKL-NBLH)}$	EXMC_CLK low to EXMC_NBL high	0	—	ns

(1).  $C_L = 30$  pF.

(2). Guaranteed by design, not tested in production.

(3). Based on characterization, not tested in production.

(4). Based on configure:  $f_{HCLK} = 168$  MHz, BurstAccessMode = Enable; MemoryType = PSRAM; WriteBurst = Enable; CLKDivision = 3 (EXMC\_CLK is 4 divided by HCLK); DataLatency = 1.

## 4.24. TIMER characteristics

**Table 4-50. TIMER characteristics<sup>(1)</sup>**

Symbol	Parameter	Conditions	Min	Max	Unit
$t_{res}$	Timer resolution time	—	1	—	$t_{TIMERxCLK}$
		$f_{TIMERxCLK} = 168$ MHz	6	—	ns
$f_{EXT}$	Timer external clock frequency	—	0	$f_{TIMERxCLK}/2$	MHz
		$f_{TIMERxCLK} = 168$ MHz	0	84	MHz
RES	Timer resolution	—	—	16	bit
$t_{COUNTER}$	16-bit counter clock period when internal clock is selected	—	1	65536	$t_{TIMERxCLK}$
		$f_{TIMERxCLK} = 168$ MHz	0.006	393	$\mu$ s
$t_{MAX\_COUNT}$	Maximum possible count	—	—	65536x65536	$t_{TIMERxCLK}$
		$f_{TIMERxCLK} = 168$ MHz	—	25.8	s

(1). Guaranteed by design, not tested in production.

## 4.25. WDGT characteristics

**Table 4-51. FWDGT min/max timeout period at 40 kHz (IRC40K) <sup>(1)</sup>**

Prescaler divider	PR[2:0] bits	Min timeout RLD[11:0] = 0x000	Max timeout RLD[11:0] = 0xFF	Unit
1/4	000	0.1	409.6	ms
1/8	001	0.2	819.2	
1/16	010	0.4	1638.4	
1/32	011	0.8	3276.8	
1/64	100	1.6	6553.6	
1/128	101	3.2	13107.2	
1/256	110 or 111	6.4	26214.4	

(1). Guaranteed by design, not tested in production.

**Table 4-52. WWDGT min-max timeout value at 84 MHz ( $f_{PCLK1}$ ) <sup>(1)</sup>**

Prescaler divider	PSC[2:0]	Min timeout value CNT[6:0] = 0x40	Unit	Max timeout value CNT[6:0] = 0x7F	Unit
1/1	00	48.76	μs	3.12	ms
1/2	01	97.52		6.24	
1/4	10	195.04		12.48	
1/8	11	390.09		24.96	

(1). Guaranteed by design, not tested in production.

## 4.26. Parameter conditions

Unless otherwise specified, all values given for  $V_{DD} = V_{DDA} = 3.3\text{ V}$ ,  $T_A = 25\text{ }^\circ\text{C}$ .

## 5. Package information

### 5.1. LQFP144 package outline dimensions

Figure 5-1. LQFP144 package outline

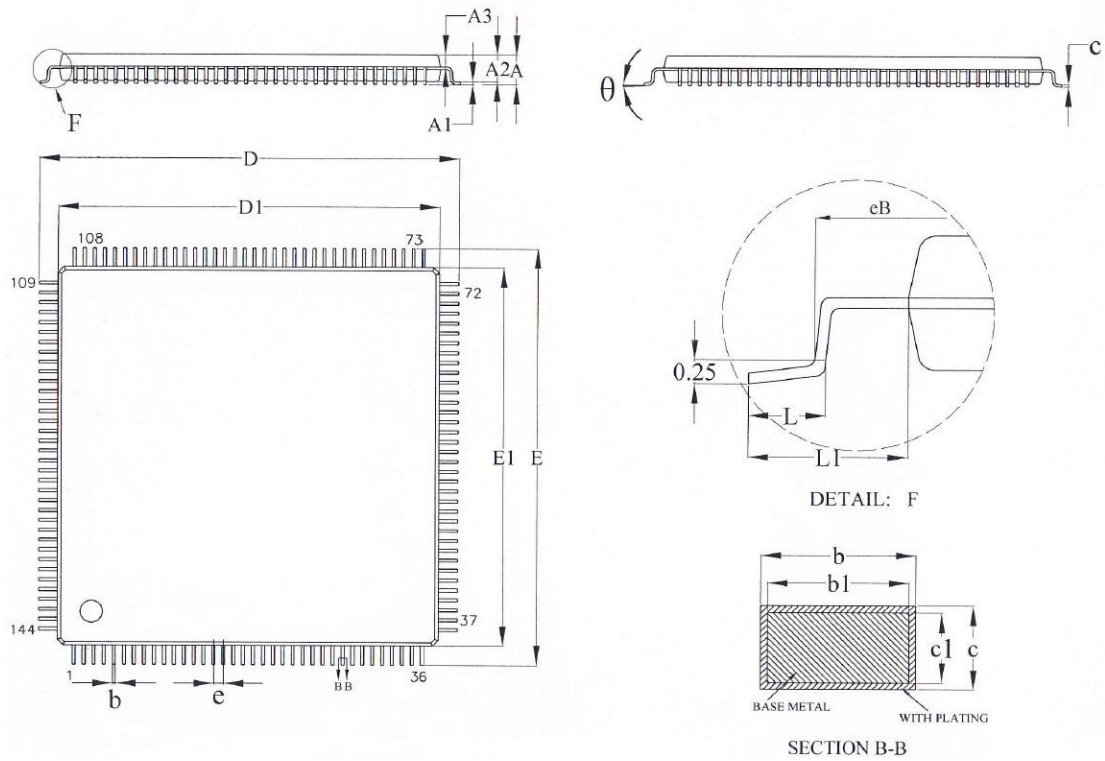


Table 5-1. LQFP144 package dimensions

Symbol	Min	Typ	Max
A	—	—	1.60
A1	0.05	—	0.15
A2	1.35	1.40	1.45
A3	0.59	0.64	0.69
D	21.80	22.0	22.20
D1	19.90	20.0	20.10
E	21.80	22.0	22.20
E1	19.90	20.0	20.10
$\theta$	0°	3.5°	7°
c	0.13	—	0.17
c1	0.12	0.13	0.14
L	0.45	—	0.75
L1	—	1.0 REF	—
b	0.18	—	0.26

Symbol	Min	Typ	Max
b1	0.17	0.20	0.23
e	—	0.50 BSC	—

(Original dimensions are in millimeters)

## 5.2. LQFP100 package outline dimensions

Figure 5-2. LQFP100 package outline

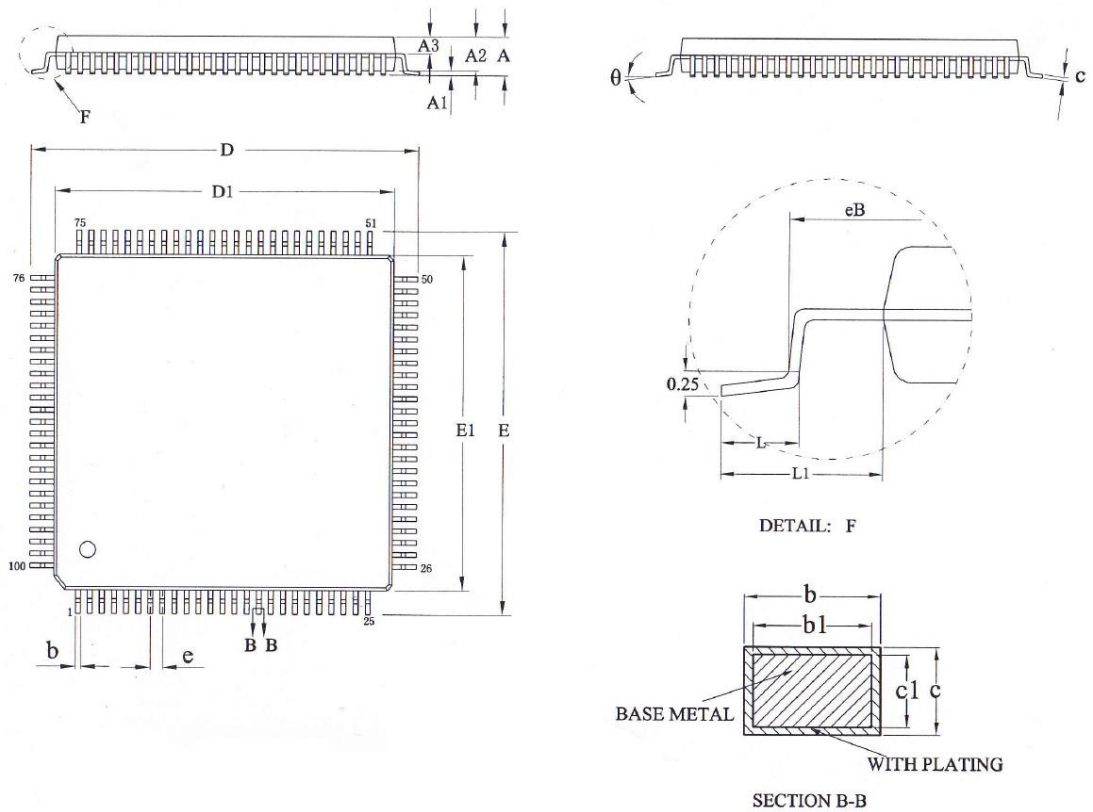


Table 5-2. LQFP100 package dimensions

Symbol	Min	Typ	Max
A	—	—	1.60
A1	0.05	—	0.15
A2	1.35	1.40	1.45
A3	0.59	0.64	0.69
D	15.80	16.0	16.20
D1	13.90	14.0	14.10
E	15.80	16.0	16.20
E1	13.90	14.0	14.10
$\theta$	0°	3.5°	7°
c	0.13	—	0.17
c1	0.12	0.13	0.14



Symbol	Min	Typ	Max
L	0.45	0.6	0.75
L1	—	1.0 REF	—
b	0.18	0.20	0.26
b1	0.17	0.20	0.23
eB	15.05	—	15.35
e	—	0.50 BSC	—

(Original dimensions are in millimeters)

## 5.3. BGA100 package outline dimensions

Figure 5-3. LQFP100 package outline

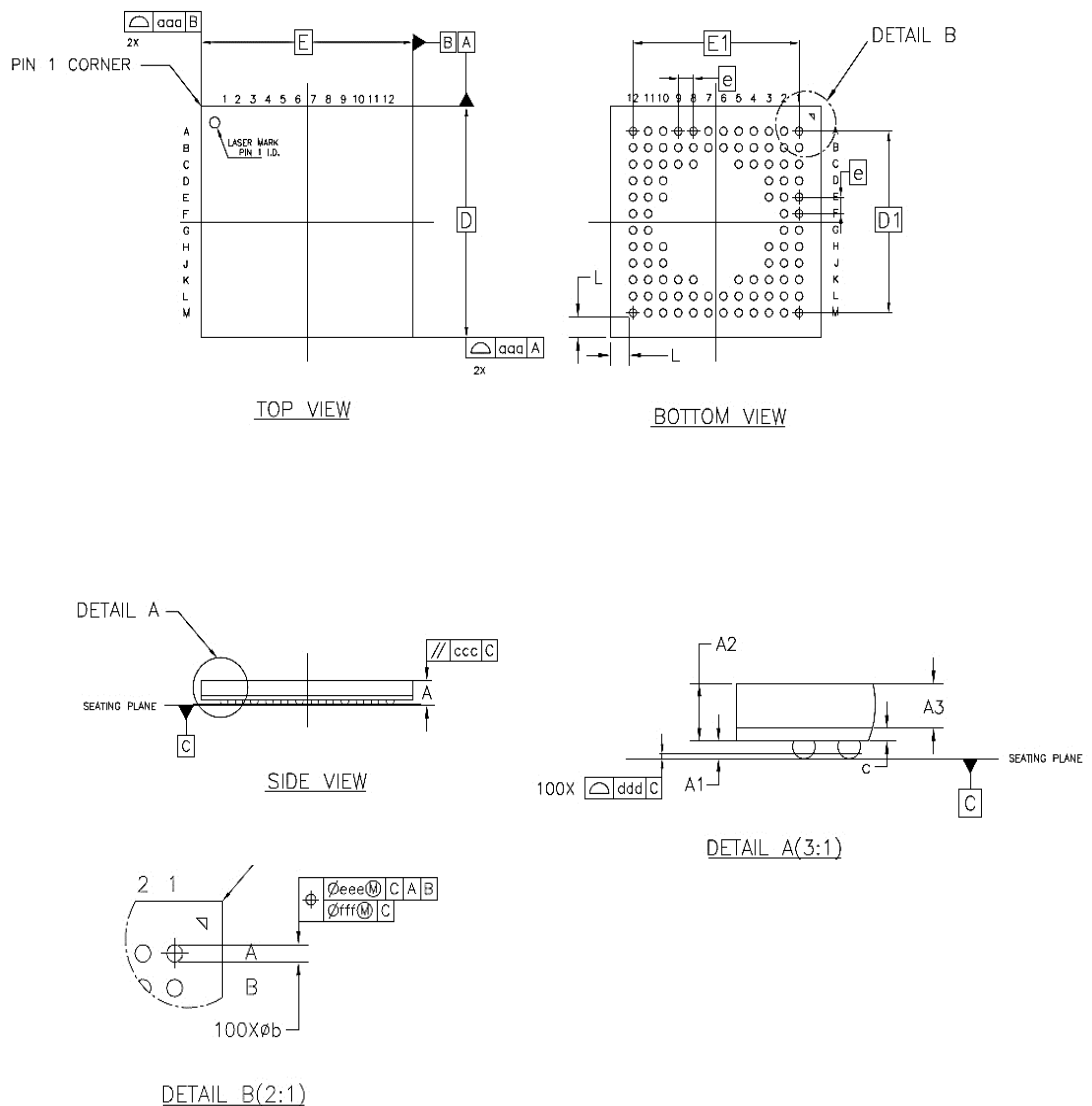


Table 5-3. BGA100 package dimensions

Symbol	Min	Typ	Max
A	—	—	0.84
A1	0.13	0.18	0.23
A2	0.53	0.58	0.63
A3	0.45 BASIC		
c	0.10	0.13	0.16
D	6.90	7.00	7.10
D1	5.50 BASIC		
E	6.90	7.00	7.10
E1	5.50 BASIC		
e	0.50 BASIC		
L	0.625 REF		
b	0.20	0.25	0.30
aaa	0.10		
ccc	0.20		
ddd	0.08		
eee	0.15		
ffff	0.08		

### 5.4. LQFP64 package outline dimensions

Figure 5-4. LQFP64 package outline

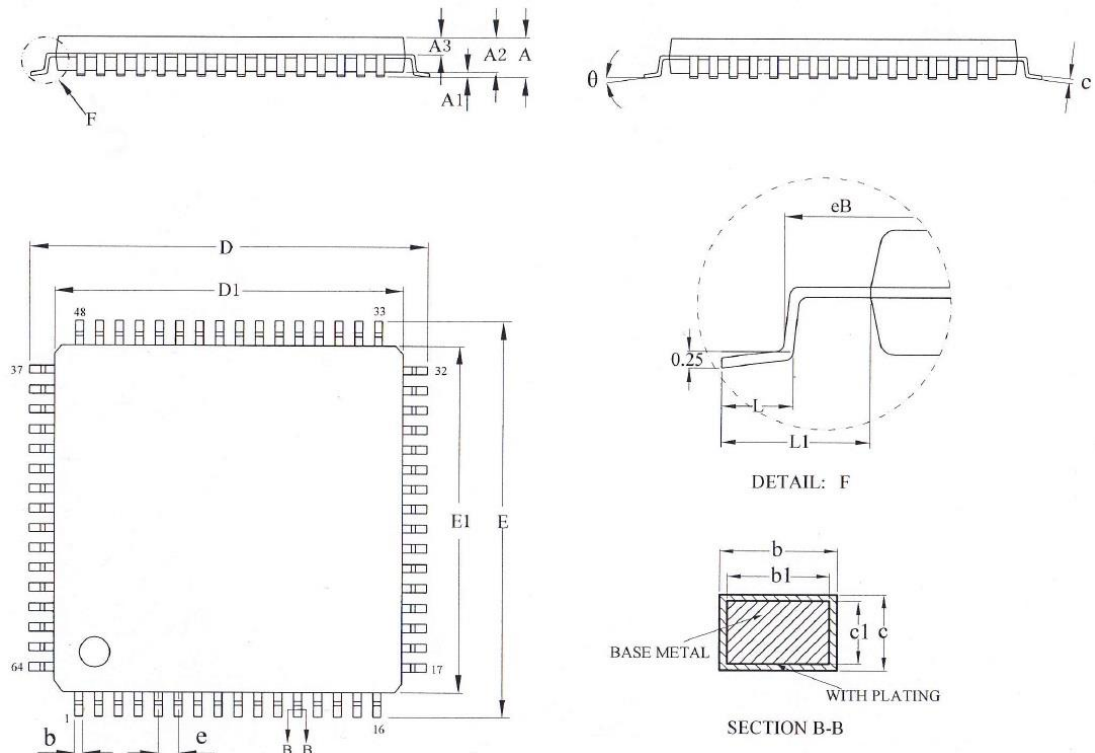


Table 5-4. LQFP64 package dimensions

Symbol	Min	Typ	Max
A	—	—	1.60
A1	0.05	—	0.15
A2	1.35	1.40	1.45
A3	0.59	0.64	0.69
D	11.80	12.00	12.20
D1	9.90	10.00	10.10
E	11.80	12.00	12.20
E1	9.90	10.00	10.10
$\theta$	0°	3.5°	7°
c	0.13	—	0.17
L	0.45	0.60	0.75
L1	—	1.00 REF	—
b	0.17	0.20	0.27
e	—	0.50 BSC	—
eB	11.25	—	11.45

(Original dimensions are in millimeters)

## 6. Ordering information

**Table 6-1. Part ordering code for GD32F403xx devices**

Ordering code	Flash (KB)	Package	Package type	Temperature operating range
GD32F403RCT6	256	LQFP64	Green	Industrial -40°C to +85°C
GD32F403RET6	512	LQFP64	Green	Industrial -40°C to +85°C
GD32F403RGT6	1024	LQFP64	Green	Industrial -40°C to +85°C
GD32F403RIT6	2048	LQFP64	Green	Industrial -40°C to +85°C
GD32F403RKT6	3072	LQFP64	Green	Industrial -40°C to +85°C
GD32F403VCT6	256	LQFP100	Green	Industrial -40°C to +85°C
GD32F403VET6	512	LQFP100	Green	Industrial -40°C to +85°C
GD32F403VGT6	1024	LQFP100	Green	Industrial -40°C to +85°C
GD32F403VIT6	2048	LQFP100	Green	Industrial -40°C to +85°C
GD32F403VKT6	3072	LQFP100	Green	Industrial -40°C to +85°C
GD32F403VCH6	256	BGA100	Green	Industrial -40°C to +85°C
GD32F403VEH6	512	BGA100	Green	Industrial -40°C to +85°C
GD32F403VGH6	1024	BGA100	Green	Industrial -40°C to +85°C
GD32F403VIH6	2048	BGA100	Green	Industrial -40°C to +85°C
GD32F403VKH6	3072	BGA100	Green	Industrial -40°C to +85°C
GD32F403ZCT6	256	LQFP144	Green	Industrial -40°C to +85°C
GD32F403ZET6	512	LQFP144	Green	Industrial -40°C to +85°C
GD32F403ZGT6	1024	LQFP144	Green	Industrial -40°C to +85°C
GD32F403ZIT6	2048	LQFP144	Green	Industrial -40°C to +85°C
GD32F403ZKT6	3072	LQFP144	Green	Industrial -40°C to +85°C

## 7. Revision history

Table 7-1. Revision history

Revision No.	Description	Date
1.0	Initial release	Mar.25, 2017
1.1	Repair history accumulation error	Dec.16, 2018
1.2	Add functional description of PD0 and PD1 to the packages below 100pin. Update electrical characteristics and package information	Mar.6.2020

## Important Notice

This document is the property of GigaDevice Semiconductor Inc. and its subsidiaries (the "Company"). This document, including any product of the Company described in this document (the "Product"), is owned by the Company under the intellectual property laws and treaties of the People's Republic of China and other jurisdictions worldwide. The Company reserves all rights under such laws and treaties and does not grant any license under its patents, copyrights, trademarks, or other intellectual property rights. The names and brands of third party referred thereto (if any) are the property of their respective owner and referred to for identification purposes only.

The Company makes no warranty of any kind, express or implied, with regard to this document or any Product, including, but not limited to, the implied warranties of merchantability and fitness for a particular purpose. The Company does not assume any liability arising out of the application or use of any Product described in this document. Any information provided in this document is provided only for reference purposes. It is the responsibility of the user of this document to properly design, program, and test the functionality and safety of any application made of this information and any resulting product. Except for customized products which has been expressly identified in the applicable agreement, the Products are designed, developed, and/or manufactured for ordinary business, industrial, personal, and/or household applications only. The Products are not designed, intended, or authorized for use as components in systems designed or intended for the operation of weapons, weapons systems, nuclear installations, atomic energy control instruments, combustion control instruments, airplane or spaceship instruments, transportation instruments, traffic signal instruments, life-support devices or systems, other medical devices or systems (including resuscitation equipment and surgical implants), pollution control or hazardous substances management, or other uses where the failure of the device or Product could cause personal injury, death, property or environmental damage ("Unintended Uses"). Customers shall take any and all actions to ensure using and selling the Products in accordance with the applicable laws and regulations. The Company is not liable, in whole or in part, and customers shall and hereby do release the Company as well as its suppliers and/or distributors from any claim, damage, or other liability arising from or related to all Unintended Uses of the Products. Customers shall indemnify and hold the Company as well as its suppliers and/or distributors harmless from and against all claims, costs, damages, and other liabilities, including claims for personal injury or death, arising from or related to any Unintended Uses of the Products.

Information in this document is provided solely in connection with the Products. The Company reserves the right to make changes, corrections, modifications or improvements to this document and Products and services described herein at any time, without notice.