

GD54/74HC148, GD54/74HCT148

8-TO-3 LINE PRIORITY ENCODER

General Description

These devices are identical in pinout to the 54/74LS148. This encoder features priority encoding of the inputs to ensure that only the highest order data line is encoded. Eight active-low data input lines are encoded to three active-Low binary outputs (octal). Cascading circuitry (enable input EI & enable output EO) has been provided to allow octal expansion without the need for external circuitry.

Features

- Low Power consumption characteristic of CMOS devices
- Output drive capability: 10 LS TTL Loads Min.
- Operating speed superior to LS TTL
- Wide operating voltage range: for HC 2 to 6 volts
for HCT 4.5 to 5.5 volts
- Low input current: 1 μ A Max.
- Low quiescent current: 80 μ A Max. (74HC)
- High noise immunity characteristic of CMOS
- Diode protection on all inputs

Logic Diagram

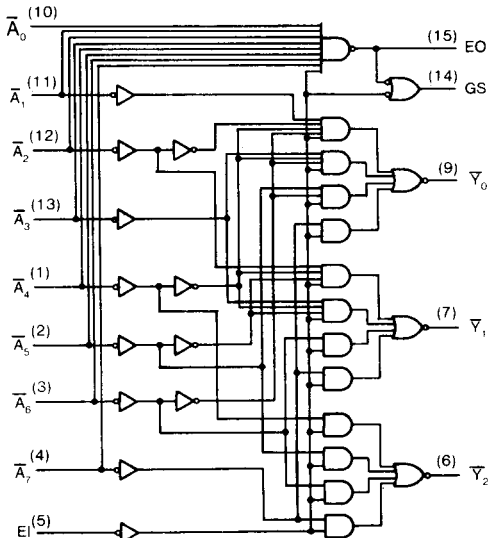
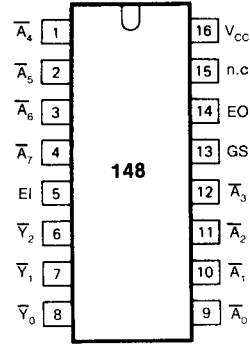


Fig. 1 Logic diagram

Pin Configuration



- Suffix-Blank : Plastic Dual In Line Package
- Suffix-J : Ceramic Dual In Line Package
- Suffix-D : Small Outline Package

Function Table

EI	INPUTS							OUTPUTS					
	\bar{A}_0	\bar{A}_1	\bar{A}_2	\bar{A}_3	\bar{A}_4	\bar{A}_5	\bar{A}_6	\bar{A}_7	\bar{Y}_2	\bar{Y}_1	\bar{Y}_0	GS	EO
H	X	X	X	X	X	X	X	X	H	H	H	H	H
L	H	H	H	H	H	H	H	H	H	H	H	H	L
L	X	X	X	X	X	X	X	L	L	L	L	L	H
L	X	X	X	X	X	X	L	H	L	L	H	L	H
L	X	X	X	X	L	H	H	H	L	H	H	L	H
L	X	X	X	L	H	H	H	H	H	L	L	L	H
L	X	L	H	H	H	H	H	H	H	L	L	L	H
L	L	H	H	H	H	H	H	H	H	H	H	L	H

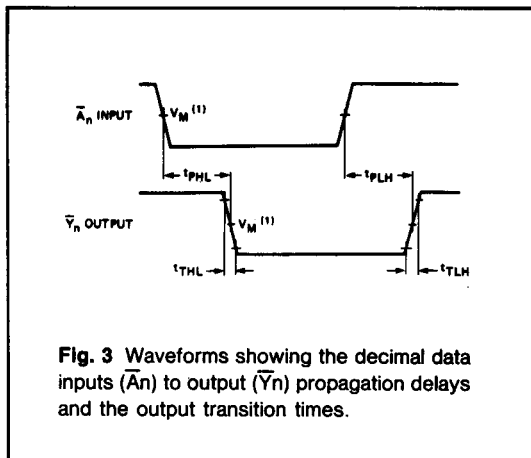
Absolute Maximum Ratings

SYMBOL	PARAMETER	CONDITIONS	MIN.	MAX.	UNIT
V_{CC}	DC Supply voltage		-0.5	+7	V
I_{IK}, I_{OK}	DC input or output diode current	for $V_I < -0.5$ or $V_I > V_{CC} + 0.5V$		20	mA
I_O	DC output source or sink current	for $-0.5V < V_O < V_{CC} + 0.5V$		25	mA
I_{CC}	DC V_{CC} or GND current			50	mA
T_{stg}	Storage temperature range		-65	150	°C
P_D	Power dissipation per package	above +70°C: derate linearly with 8mW/K		500	mW
T_L	Lead temperature	At distance 1/16 ± 1/32 in. from case for 60 sec(CERAMIC) 10 sec(PLASTIC)		300 260	°C

Recommended Operating Conditions

CHARACTERISTIC	LIMITS		UNITS
	MIN.	MAX.	
Supply-Voltage Range V_{CC} : GD54/74HC Types GD54/74HCT Types	2 4.5	6 5.5	V
DC Input or Output Voltage V_I, V_O	0	V_{CC}	V
Operating Temperature T_A : GD74 Types GD54 Types	-40 -55	+85 +125	°C
Input Rise and Fall times t_r, t_f : GD54/74HC Types at 2V at 4.5V at 6V GD54/74HCT Types at 4.5 V		1000 500 400 500	ns

AC Waveform



Note to AC waveform

- (1) HC : $V_M = 50\%$; $V_I = \text{GND to } V_{CC}$.
- HCT : $V_M = 1.3V$; $V_I = \text{GND to } 3V$.

DC Electrical Characteristics for HC

SYMBOL	PARAMETER	TEST CONDITION	V _{CC} (V)	T _A =25°C			GD74HC148		GD54HC148		UNIT
				MIN.	TYP.	MAX.	MIN.	MAX.	MIN.	MAX.	
V _{IH}	HIGH level input Voltage		2.0	1.5			1.5		1.5		V
			4.5	3.15		3.15		3.15			
			6.0	4.2		4.2		4.2			
V _{IL}	LOW level input voltage		2.0			0.3		0.3		0.3	V
			4.5			0.9		0.9		0.9	
			6.0			1.2		1.2		1.2	
V _{OH}	HIGH level output voltage	V _{IN} =V _{IH} or V _{IL}	I _{OH} =-20μA	2.0	1.9	2.0		1.9		1.9	V
				4.5	4.4	4.5		4.4		4.4	
				6.0	5.9	6.0		5.9		5.9	
	I _{OH} =-4mA I _{OH} =-5.2mA	4.5	3.98	4.3		3.84		3.7			
		6.0	5.48	5.2		5.34		5.2			
V _{OL}	LOW level output voltage	V _{IN} =V _{IH} or V _{IL}	I _{OL} =20μA	2.0			0.1		0.1	V	
				4.5			0.1		0.1		
				6.0			0.1		0.1		
	I _{OL} =4mA I _{OL} =5.2mA	4.5		0.17	0.26		0.33		0.4		
		6.0		0.15	0.26		0.33		0.4		
I _{IIN}	Input leakage Current	V _{IN} =V _{CC} or GND	6.0			0.1		1.0		1.0	μA
I _{CC}	Quiescent Supply Current	V _{IN} =V _{CC} or GND I _{out} =0μA	6.0			8		80		160	μA

DC Electrical Characteristics for HCT

SYMBOL	PARAMETER	TEST CONDITION	V _{CC} (V)	T _A =25°C			GD74HCT148		GD54HCT148		UNIT	
				MIN.	TYP.	MAX.	MIN.	MAX.	MIN.	MAX.		
V _{IH}	HIGH level input Voltage		4.5 to 5.5	2.0			2.0		2.0		V	
V _{IL}	LOW level input voltage		4.5 to 5.5			0.8		0.8		0.8	V	
V _{OH}	HIGH level output voltage	V _{IN} =V _{IH} or V _{IL}	I _{OH} =-20μA	4.5	4.4	4.5		4.4		4.4	V	
				4.5	3.98	4.3		3.84		3.7		
			I _{OH} =-4mA I _{OH} =-5.2mA	4.5			0.1		0.1			0.1
				4.5		0.17	0.26		0.33			0.4
V _{OL}	LOW level output voltage	V _{IN} =V _{IH} or V _{IL}	I _{OL} =20μA	4.5			0.1		0.1	V		
				4.5		0.17	0.26		0.33			0.4
I _{IIN}	Input leakage Current	V _{IN} =V _{CC} or GND	5.5			0.1		1.0		1.0	μA	
I _{CC}	Quiescent Supply Current	V _{IN} =V _{CC} or GND I _{out} =0μA	5.5			8		80		160	μA	

AC Characteristics for HC: $t_r=t_f=6ns$ $C_L=50 pF$

SYMBOL	PARAMETER	V _{CC} (V)	T _A =25°C			GD74HC148		GD54HC148		UNIT
			MIN.	TYP.	MAX.	MIN.	MAX.	MIN.	MAX.	
t _{PLH} / t _{PHL}	Propagation Delay Time A _n to Y _n	2.0		50	160		210		250	ns
		4.5		20	34		43		50	
		6.0		17	29		36		41	
t _{PLH} / t _{PHL}	Propagation Delay Time A _n to EO	2.0		45	130		180		210	ns
		4.5		17	27		36		41	
		6.0		15	23		31		34	
t _{PLH} / t _{PHL}	Propagation Delay Time A _n to GS	2.0		60	180		230		270	ns
		4.5		22	36		46		54	
		6.0		18	30		39		45	
t _{PLH} / t _{PHL}	Propagation Delay Time EI to nY	2.0		75	190		240		280	ns
		4.5		23	37		46		55	
		6.0		20	31		39		45	
t _{PLH} / t _{PHL}	Propagation Delay Time EI to GS	2.0		45	130		180		210	ns
		4.5		17	27		36		41	
		6.0		15	23		31		34	
t _{PLH} / t _{PHL}	Propagation Delay Time EI to EO	2.0		50	160		210		250	ns
		4.5		19	33		43		50	
		6.0		17	28		36		41	
t _{TLH} / t _{THL}	Output Transition Time	2.0		28	75		95		110	ns
		4.5		7	15		19		22	
		6.0		6	13		16		19	

AC Characteristics for HCT: $t_r=t_f=6ns$ $C_L=50 pF$

SYMBOL	PARAMETER	V _{CC} (V)	T _A =25°C			GD74HCT148		GD54HCT148		UNIT
			MIN.	TYP.	MAX.	MIN.	MAX.	MIN.	MAX.	
t _{PLH} / t _{PHL}	Propagation Delay Time A _n to Y _n	4.5		24	36		46		54	ns
		4.5		21	30		40		45	
		4.5		26	40		50		58	
t _{PLH} / t _{PHL}	Propagation Delay Time EI to nY	4.5		27	41		50		59	ns
		4.5		21	31		40		45	
		4.5		23	37		47		54	
t _{PLH} / t _{PHL}	Propagation Delay Time EI to GS	4.5		21	31		40		45	ns
		4.5		23	37		47		54	
		4.5		23	37		47		54	
t _{TLH} / t _{THL}	Output Transition Time	4.5		7	15		19		22	ns
		4.5		7	15		19		22	
		4.5		7	15		19		22	