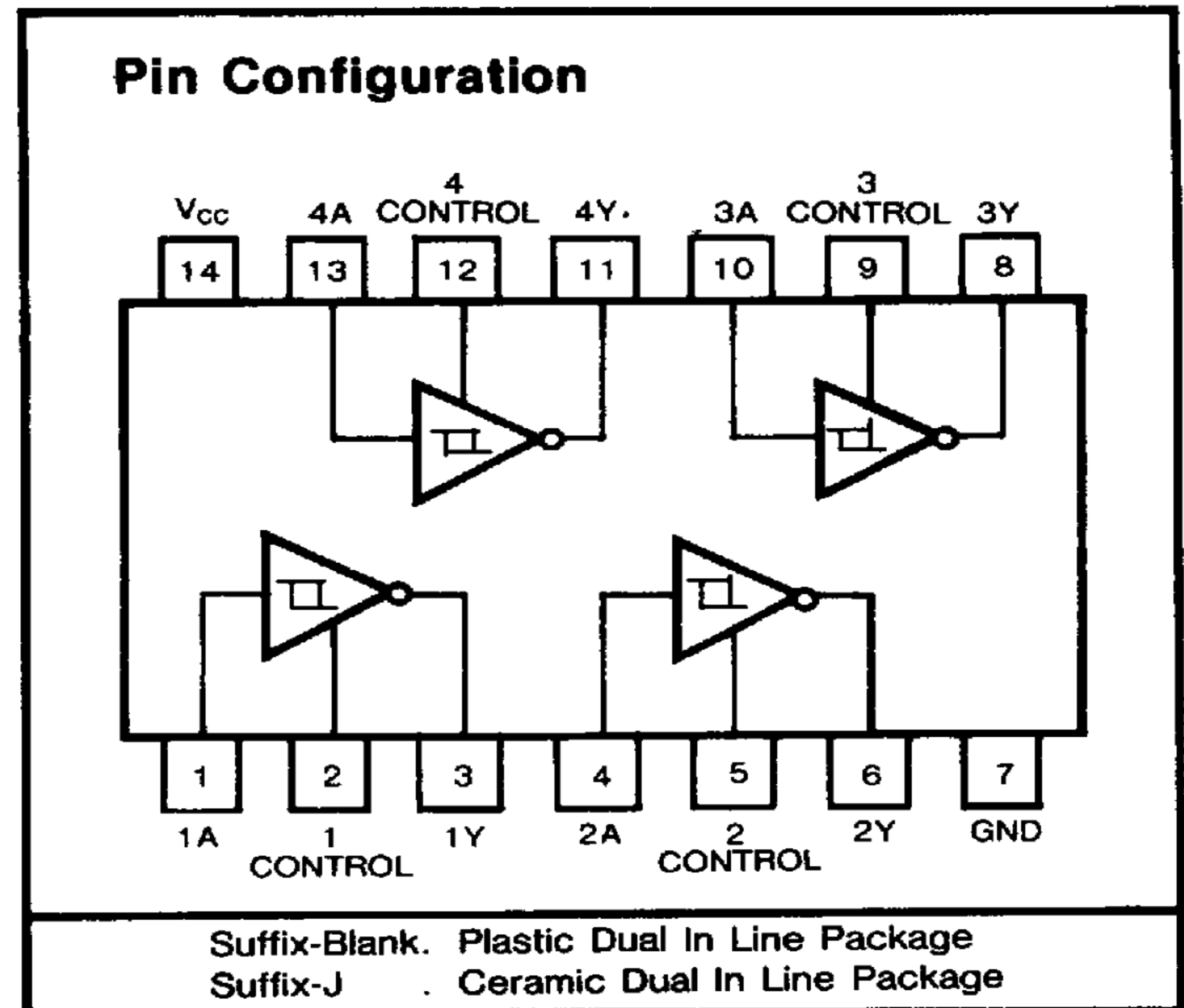


GD75189/A

QUADRUPLE LINE RECEIVERS

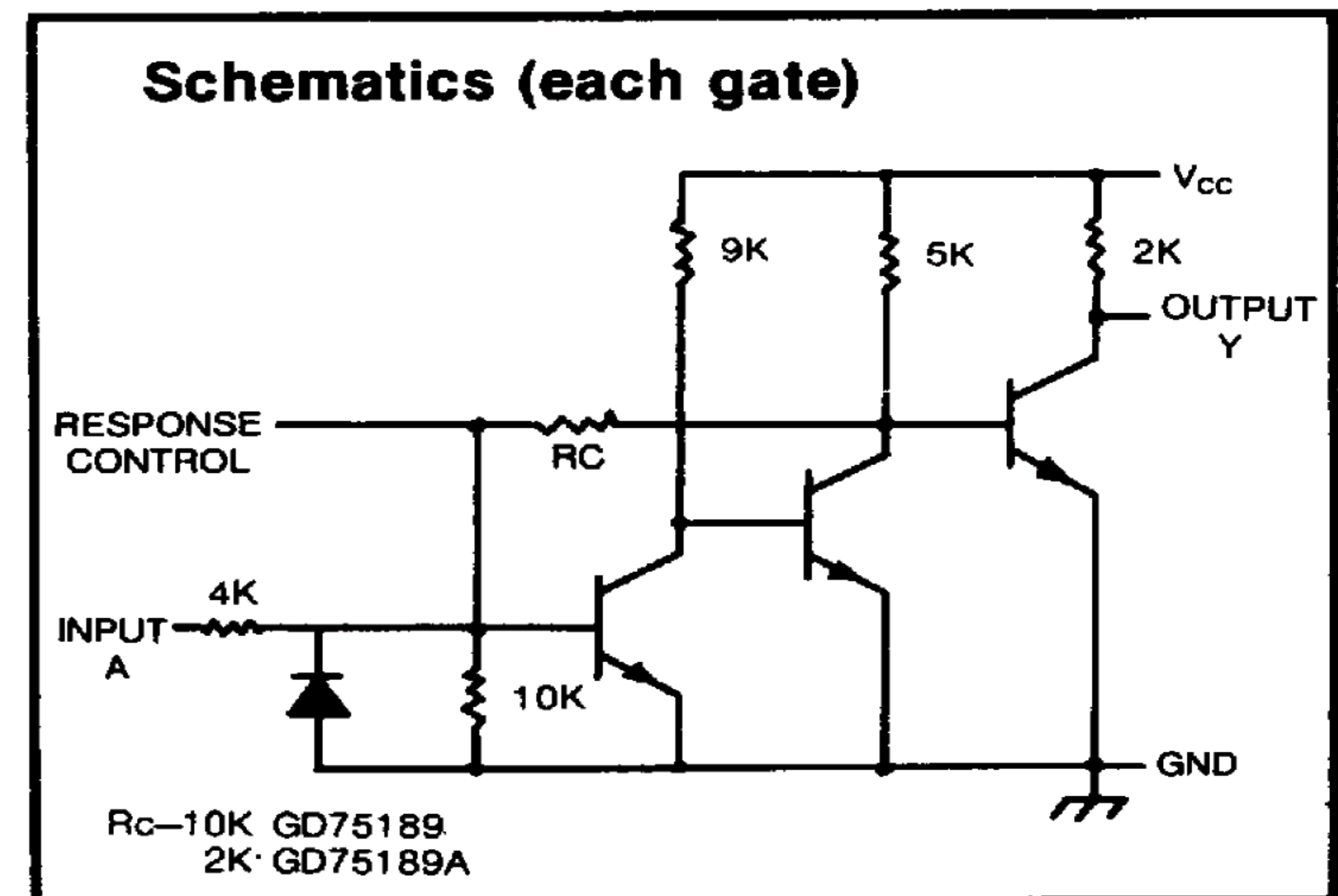
Feature

- Input Resistance ... $3k\Omega$ to $7k\Omega$
- Input Signal Range ... $\pm 30V$
- Fully Interchangeable with SN/75189A
- Operates from Single 5-V Supply
- Built-In Input Hysteresis (Double Thresholds)
- Response Control Provides: Input Threshold Shifting
Input Noise Filtering
- Satisfies Requirements of EIA RS-232-C



Description

The GD75189/A is monolithic quadruple line receivers designed to satisfy the requirements of the standard interface between data terminal equipment and data communication equipment as defined by EIA standard RS-232C. A separate response control terminal is provided for each receiver. A resistor or a resistor and bias voltage can be connected between this terminal and ground to shift the input threshold voltage levels. An external capacitor can be connected from this terminal to ground to provide input noise filtering.



Absolute Maximum Ratings

- | | | |
|--|-----------|-------------------------|
| • Supply voltage | V_{CC} | 10V |
| • Input voltage | V_I | $\pm 30V$ |
| • Output current | V_O | 20 mA |
| • Continuous total dissipation at (or below) $25^\circ C$ | P_T | 1 W |
| • Operating free-air temperature range | T_A | $0 \sim 175^\circ C$ |
| • Storage temperature range | T_{STG} | $-65 \sim +175^\circ C$ |
| • Lead temperature 1/16 inch from case for 60 seconds, J Package | | $300^\circ C$ |
| • Lead temperature 1/16 inch from case for 10 seconds, P Package | | $260^\circ C$ |

Electrical Characteristics over recommended operating free-air temperature range (): GD75189A

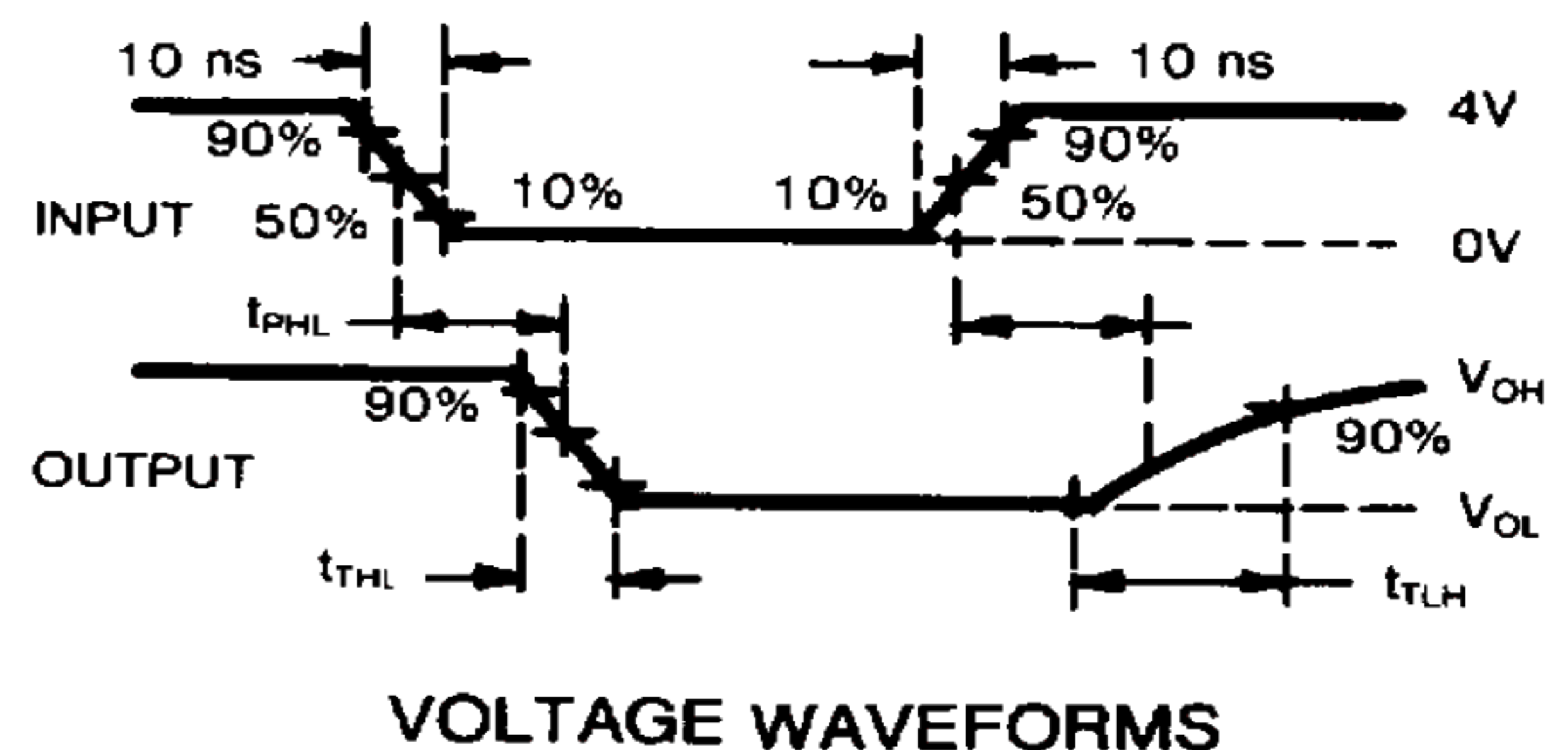
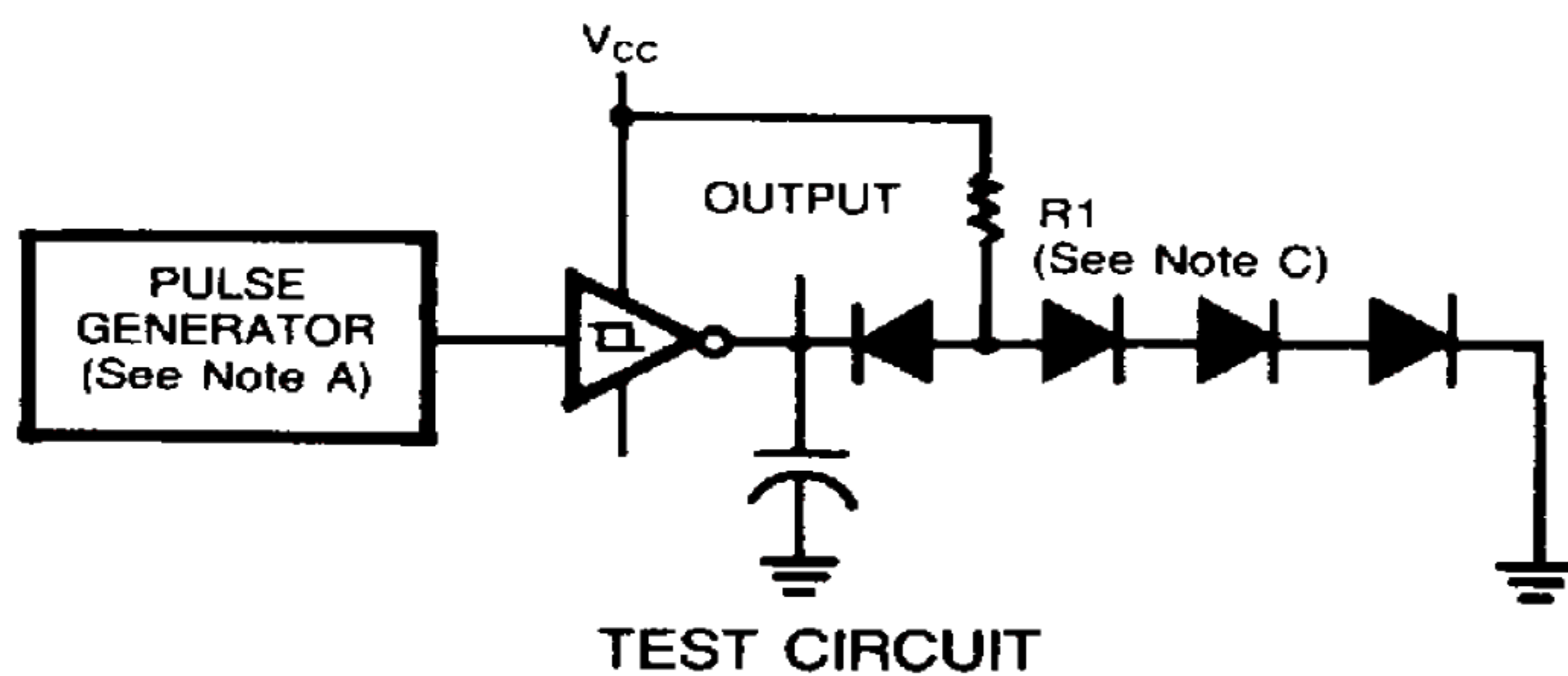
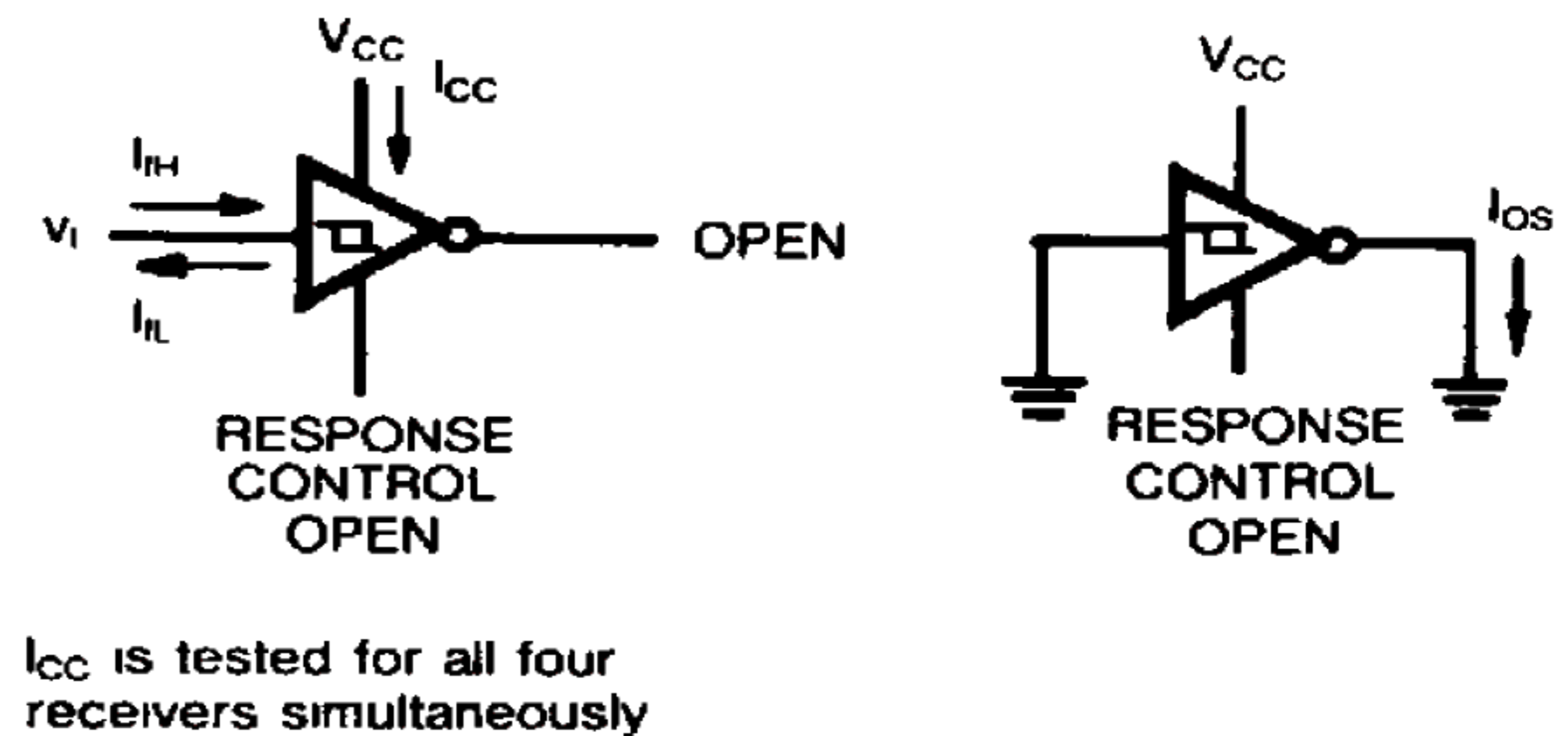
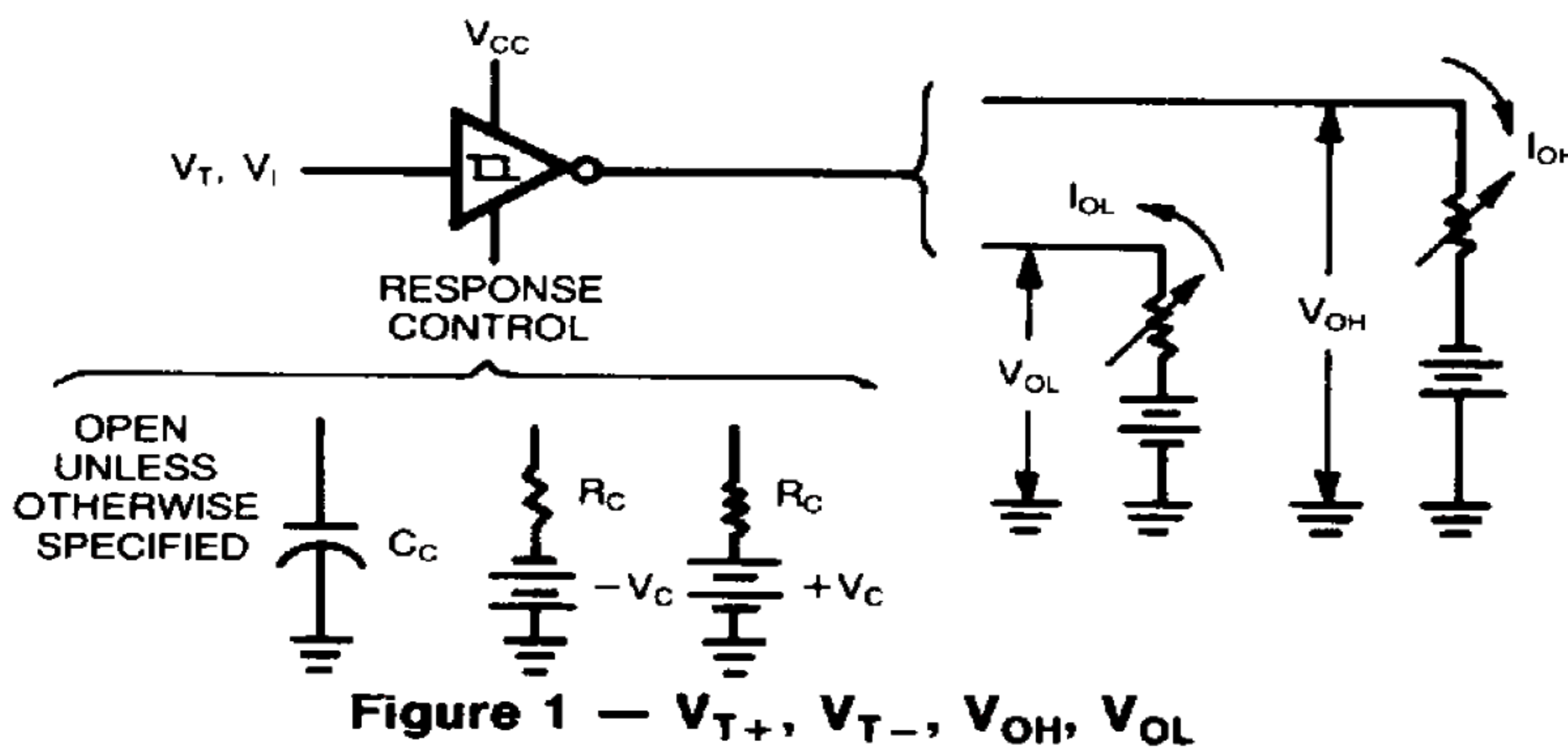
SYMBOL	PARAMETER	TEST FIGURE	TEST CONDITIONS†	MIN	TYP‡	MAX	UNIT
V_{T+}	Positive-going threshold voltage	1		1(1.75)	(1.9)	1.5(2.25)	V
V_{T-}	Negative-going threshold voltage	1		0.75	0.97	1.25	V
V_{OH}	High-level output voltage	1	$V_I=0.75V, I_{OH}=-0.5mA$	2.6	4	5	V
			Input open, $I_{OH}=-0.5mA$	2.6	4	5	
V_{OL}	Low-level output voltage	1	$V_I=3V, I_{OL}=10mA$		0.2	0.45	V
I_{IH}	High-level input current	2	$V_I=25V$	3.6		8.3	mA
			$V_I=3V$	0.43			
I_{IL}	Low-level input current	2	$V_I=-25V$	-3.6		-8.3	mA
			$V_I=-3V$	-0.43			
I_{OS}	Short-circuit output current	3			-3		mA
I_{CC}	Supply current	2	$V_I=5V, \text{Outputs open}$		20	26	mA

† All characteristics are measured with the response control terminal open
 ‡ All typical values are at $V_{CC}=5V, T_A=25^\circ C$

Switching Characteristics, $V_{CC}=5V, T_A=25^\circ C$

SYMBOL	PARAMETER	TEST FIGURE	TEST CONDITIONS	MIN	TYP	MAX	UNIT
t_{PLH}	Propagation delay time, low-to-high-level output	4	$C_L=15pF, R_L=3.9k\Omega$	25		85	ns
t_{PHL}	Propagation delay time, high-to-low-level output		$C_L=15pF, R_L=390\Omega$	25		50	
t_{TLH}	Transition time, low-to-high-level output		$C_L=15pF, R_L=3.9k\Omega$	120		175	ns
t_{THL}	Transition time, high-to-low-level output		$C_L=15pF, R_L=390\Omega$	10		20	

Parameter Measurement Information



- NOTES A The pulse generator has the following characteristics $Z_{OUT} = 50\Omega, t_w = 500ns$
 B C_L includes probe and jig capacitance
 C All diodes are 1N3064 or equivalent

Figure 4 - Switching Times

Arrows indicate actual direction of current flow. Current into a terminal is a positive value

Typical Characteristics

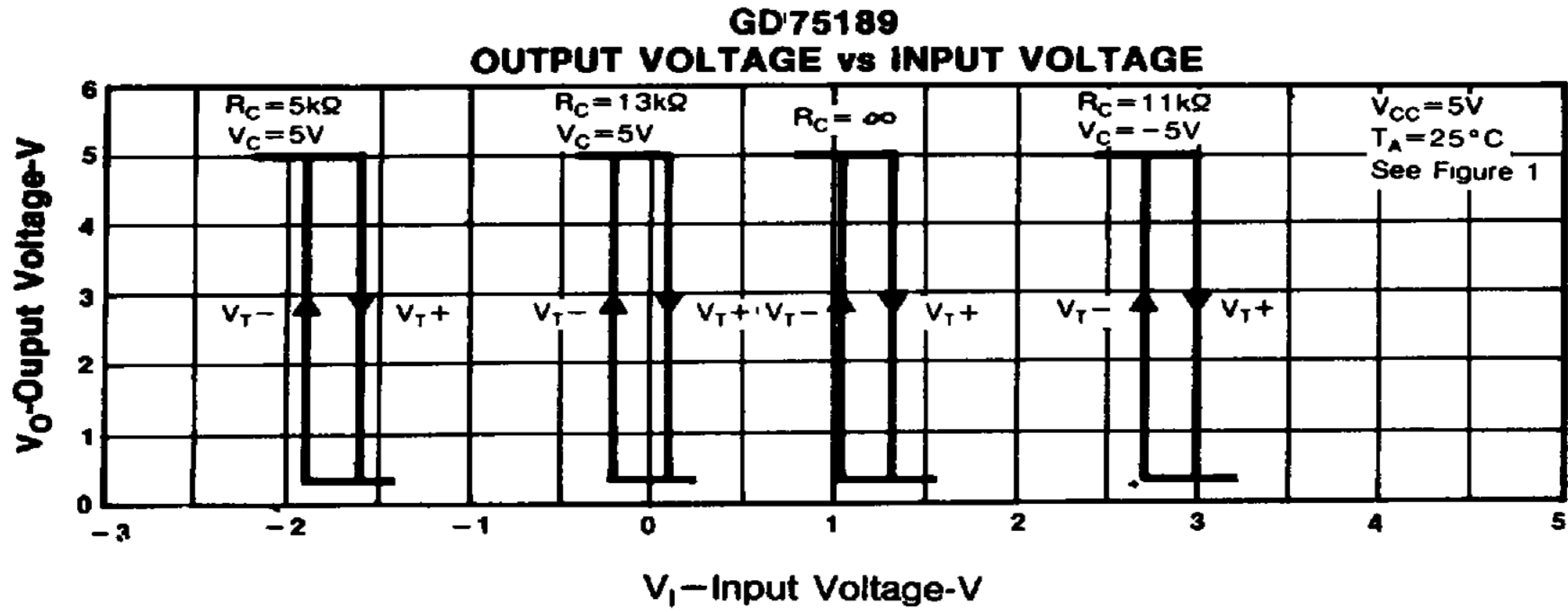


FIGURE 5

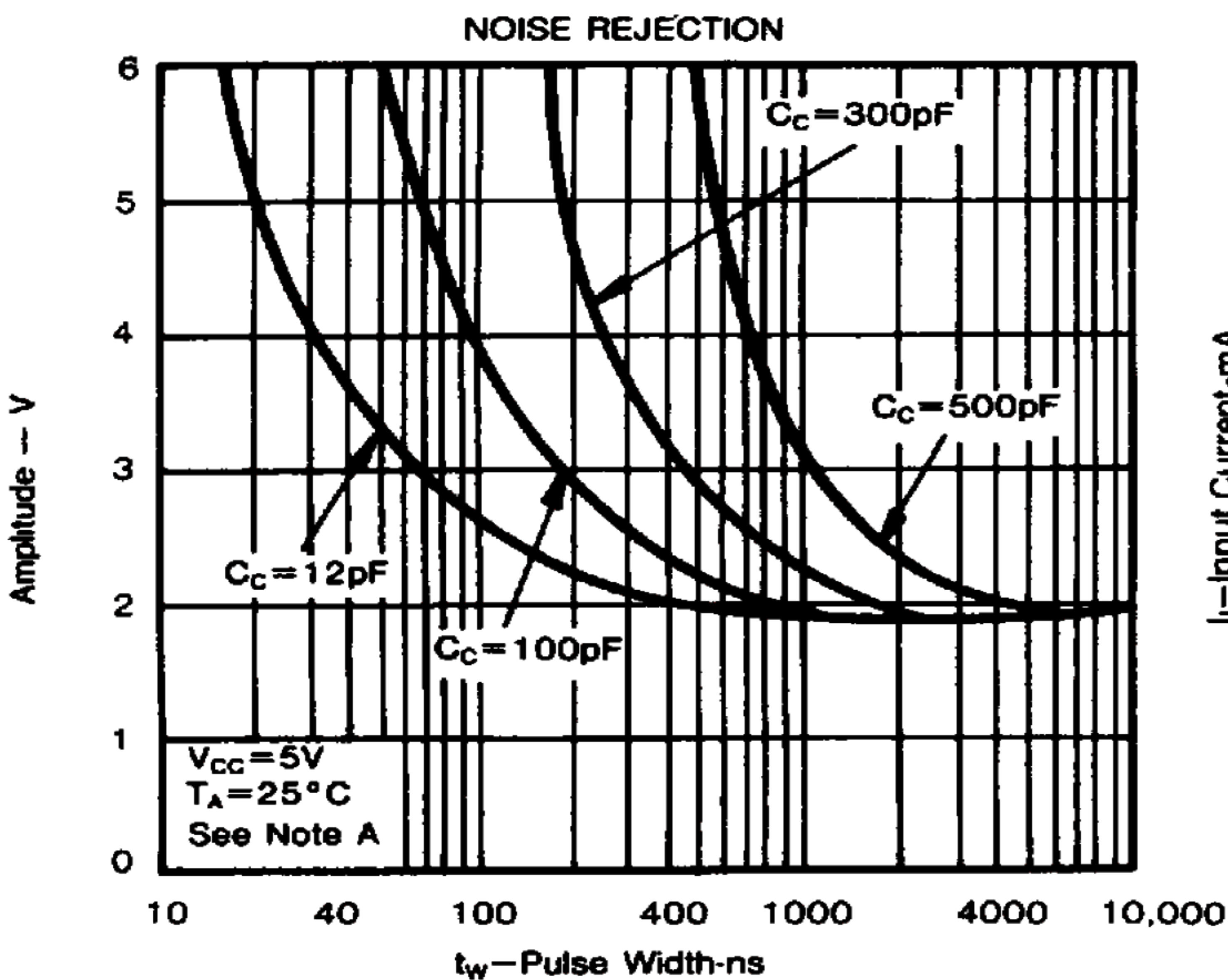
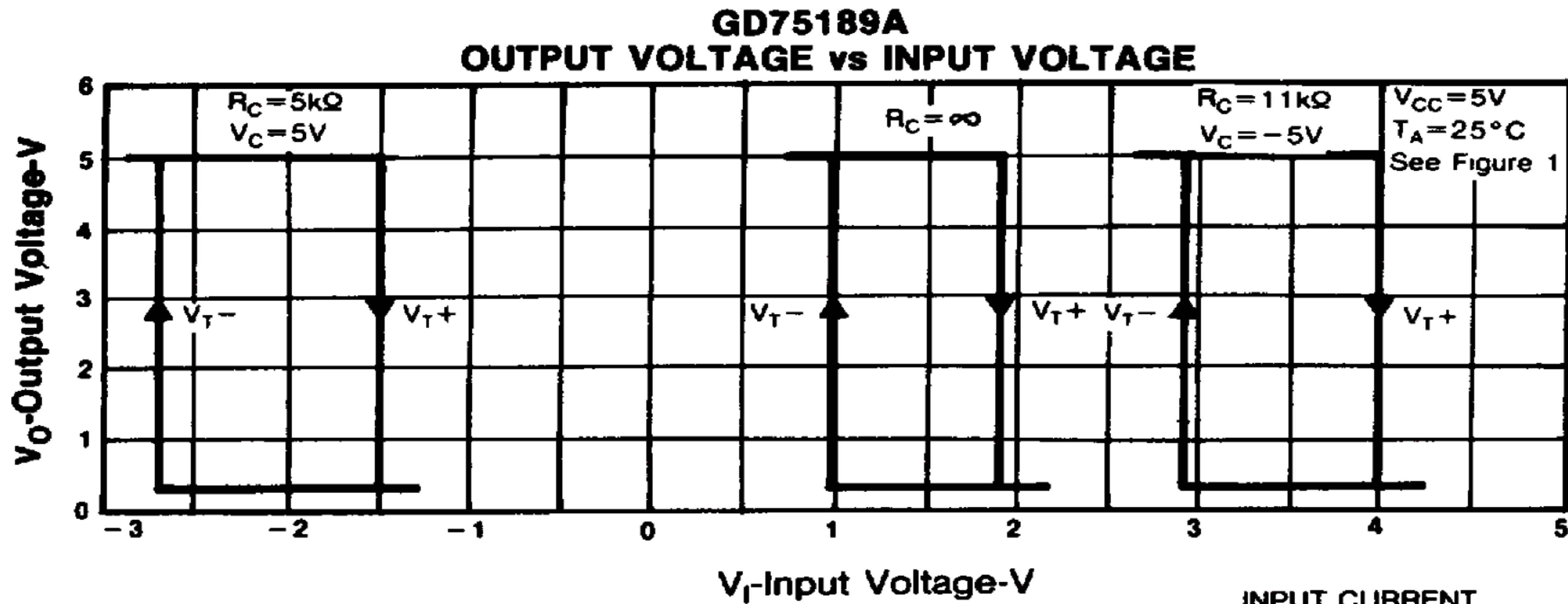


Figure 6

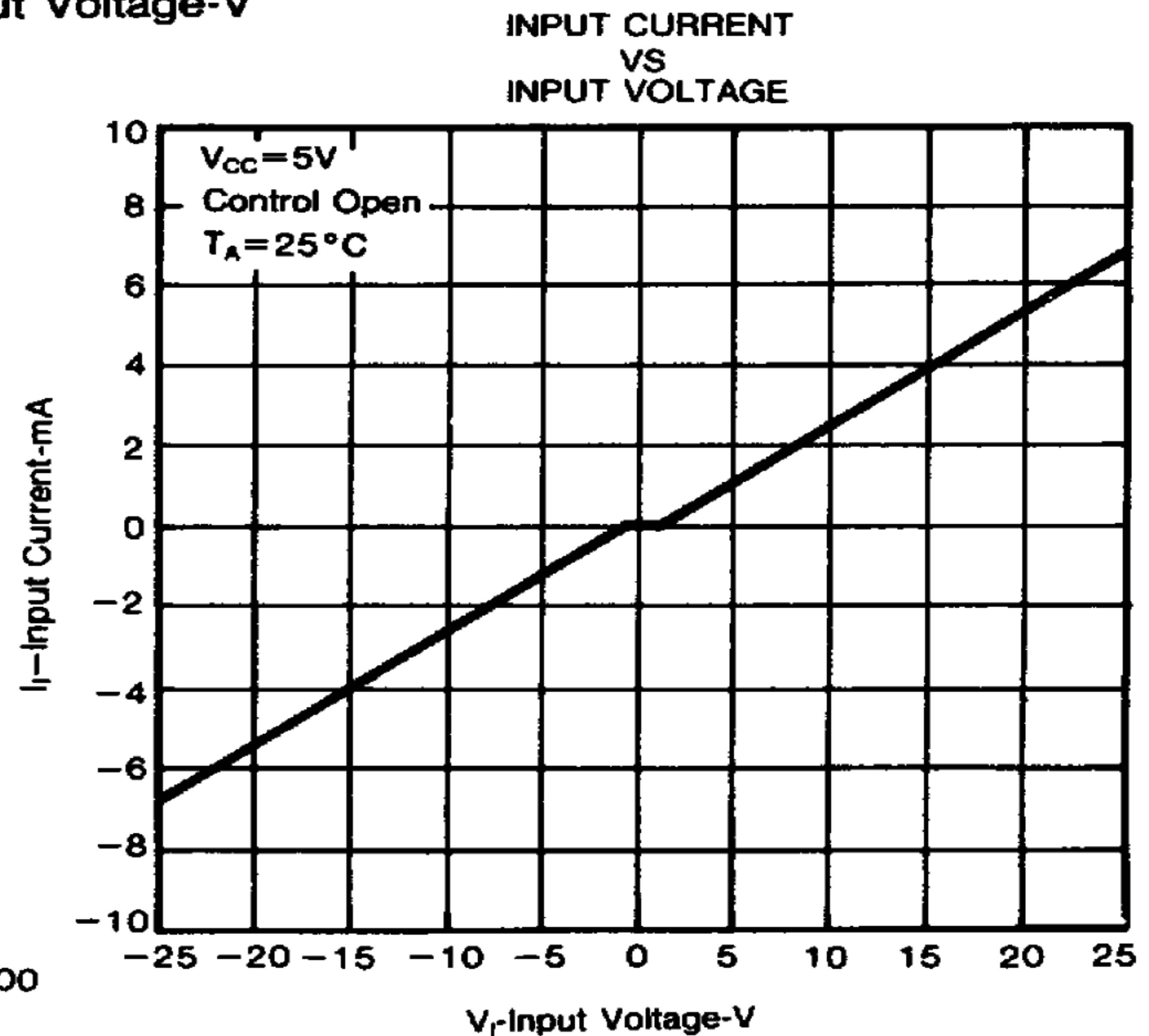


Figure 7

NOTE A This figure shows the maximum amplitude of a positive-going pulse that, starting from zero volts, will not cause a change of the output level