

## General Description

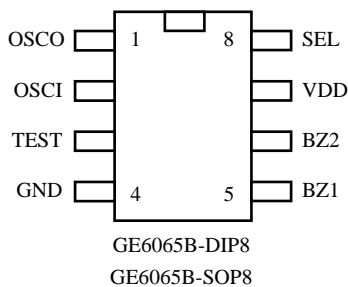
GE6065B is a CMOS process to manufacture the alarm sound generator ASIC, built-in voltage regulator circuit, reset capacitor, can directly enter the high-voltage power supply, and omit the diode and the reset capacitor voltage regulator.

GE6065B you can select mono or six-tone cycle of the output.

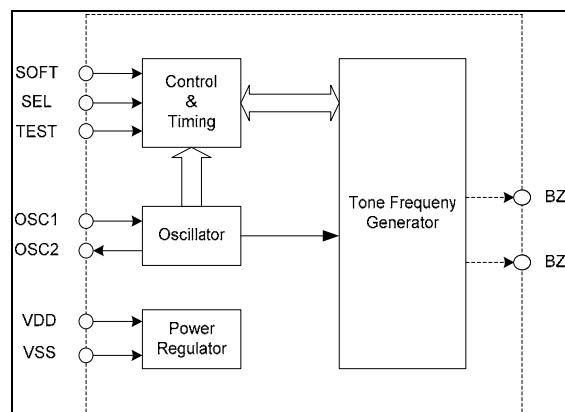
## Features

- CMOS Process
- Low-power, high noise immunity
- Built-in oscillator
- Built-in voltage regulator circuits can be directly input 12V-24V power supply
- Built-in reset circuit, provincial and lack of external reset capacitor
- Power control, loop output

## Pin Assignment



## Block Diagram



## Absolute Maximum Ratings

DC Supply Voltage $V_{DD}$	-----	-0.3V ~ 24V
Input Voltage Range $V_{IN}$	-----	-0.3 $V_{DD}$ TO $V_{DD}$ +0.3V
Storage Temperature $T_{STG}$	-----	-25 TO +125
Operating Temperature $T_{OP}$	-----	-10 TO +70

**Silvan Chip Electronics Tech.Co.,Ltd.**

Address: Fl.16 FuChang Building,Binhe Rd,Shenzhen,China

Phone: 86-755-88291843 88304213 Fax : 86-755-88290509

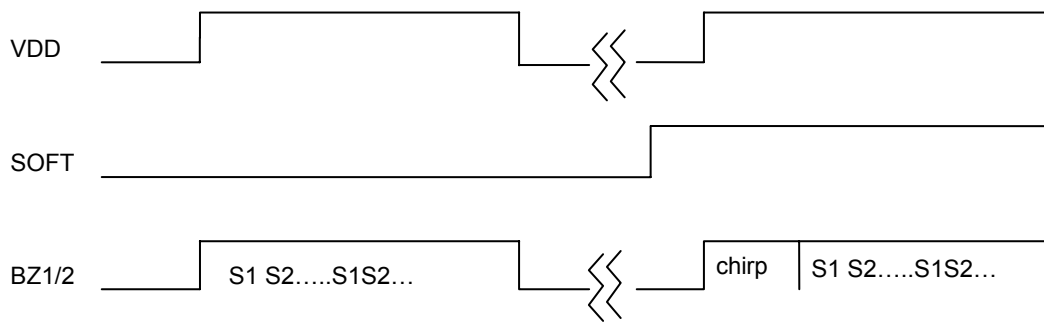
Email: [jja@sc-tech.cn](mailto:jja@sc-tech.cn)

Http:// [www.sc-tech.cn](http://www.sc-tech.cn)

**Electronic Characteristics**

Characteristics	Sym.	Min.	Typ.	Max.	Unit	Remark
Supply Voltage	V <sub>POW</sub>		12	24	V	@R <sub>Z</sub> =1KΩ
Operating Voltage	V <sub>DD</sub>	--	4.2	4.5	V	@Power=12V, R <sub>Z</sub> =1KΩ
Operating Current	I <sub>OP</sub>	--	10	20	mA	No Load, @R <sub>Z</sub> =1KΩ
BZ1/BZ2 Driving Current	I <sub>DRV</sub>	--	3.0	--	mA	@V <sub>DS</sub> =0.7V
Oscillator Frequency	F <sub>OSC</sub>	--	128	--	KHZ	R <sub>Osc</sub> = 300KΩ, F <sub>Osc</sub> ±10%

**Timing Diagram**

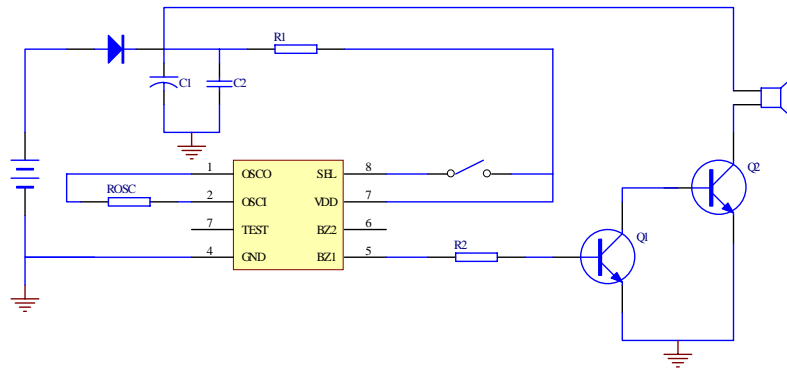


**Pin Description**

NAME	I/O	GE6065B DIP/SOP	Description
TEST	O	3	TEST PIN
GND	Power	4	GND
BZ1	O	5	Audio output pin 1
BZ2	O	6	Audio output pin 2
VDD	Power	7	Power
SEL	I	8	1/6 tones cycle output SEL=OPEN : 6 tones cycle SEL=VDD : 1 tone cycle
SOFT	I	--	Soft sound select pin SOFT=OPEN : Without soft sound SOFT=VDD : With soft sound
OSCO	O	1	Oscillator output pin
OSCI	I	2	Oscillator input pin

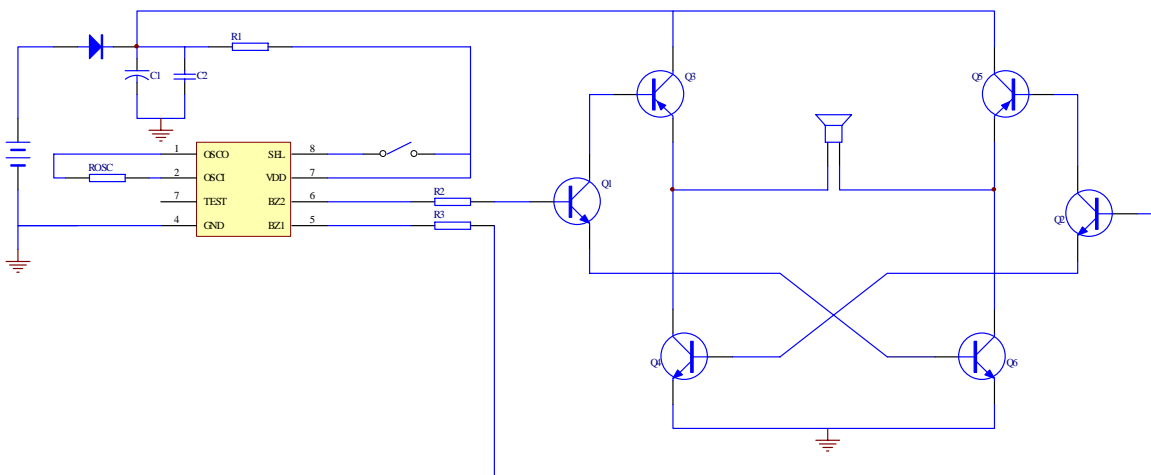
**Application Diagram**

**- Single pin output Application**



P/N	8Pin State	Description
GE6065B	OPEN	6 Tones cycle
	VDD	1 Tones cycle

**- Dual Pin output**



**Rosc EX-CHANGE**

GE6065B	ROSC(KΩ)	470	430	390	330	300	270	240	220
	FOSC(KHZ)	85	89	99	116	128	137	160	177