

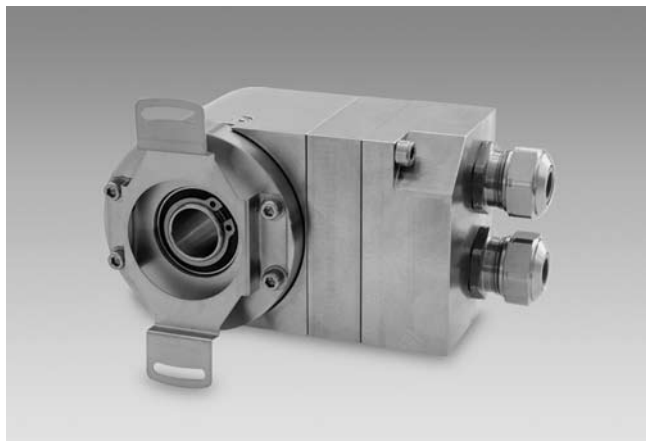
Absolute encoders - modular bus covers

multivo: stainless steel housing with hollow shaft

Multiturn encoder 13 bit ST / 16 bit MT

CANopen / DeviceNet / Profibus

GEMMH - multivo



GEMMH with modular bus cover

Features

- Encoder multiturn / bus cover
- Stainless steel design
- Optical sensing
- Resolution: singleturn 13 bit, multiturn 16 bit
- Hollow shaft max. $\varnothing 14$ mm
- Modular bus interfaces
- CANopen, DeviceNet, Profibus-DP
- High reliability by self-diagnostics
- Encoder for optional parameterization

Technical data - electrical ratings

Voltage supply	10...30 VDC
Reverse polarity protection	Yes
Consumption w/o load	≤ 100 mA (24 VDC)
Initializing time (typ.)	250 ms after power on
Interfaces	Profibus-DPV0, CANopen, DeviceNet
User address	Rotary switch in bus cover
Steps per turn	8192 / 13 bit
Number of turns	65536 / 16 bit
Absolute accuracy	$\pm 0.025^\circ$
Sensing method	Optical
Code	Binary
Code sequence	CW/CCW programmable
Interference immunity	DIN EN 61000-6-2
Emitted interference	DIN EN 61000-6-4
Programmable parameters	Steps per revolution Number of revolutions Preset Scaling Rotational direction
Diagnostic functions	Position or parameter error Multiturn sensing
Status indicator	DUO-LED integrated in bus cover
Approval	UL approval / E63076

Technical data - mechanical design

Housing	$\varnothing 58$ mm
Shaft	$\varnothing 12$ mm hollow shaft $\varnothing 14$ mm hollow shaft
Protection DIN EN 60529	IP 64
Operating speed	≤ 6000 rpm (mechanical) ≤ 6000 rpm (electric)
Rotor moment of inertia	20 gcm ²
Materials	Housing: stainless steel 1.4305 Flange: stainless steel 1.4305 Bus cover: stainless steel 1.4305
Operating temperature	-25...+85 °C -40...+85 °C (optional)
Relative humidity	95 % non-condensing
Resistance	DIN EN 60068-2-6 Vibration 10 g, 16-2000 Hz DIN EN 60068-2-27 Shock 200 g, 6 ms
Weight approx.	1500 g
E-connection	Bus cover

Absolute encoders - modular bus covers

multivo: stainless steel housing with hollow shaft

Multiturn encoder 13 bit ST / 16 bit MT

CANopen / DeviceNet / Profibus

GEMMH - *multivo*

Part number

GEMMH. 20

Interface

3P32 Profibus-DPV0 / cable gland
5P32 CANopen / cable gland
8P22 DeviceNet / cable gland

Hollow shaft

P Hollow shaft ø12 mm without pin
N Hollow shaft ø12 mm with pin 15 mm
R Hollow shaft ø14 mm without pin
Q Hollow shaft ø14 mm with pin 15 mm
2 Hollow shaft ø14 mm with pin 23.5 mm
3 Hollow shaft ø12 mm with pin 23.5 mm

CD with file descriptions is not included in the delivery. You may order them on CD as accessory free-of-charge.

Accessories

Mounting accessories (page %S)

Z 119.041	Torque support by rubber buffer element for encoders with 15 mm pin
Z 119.050	Spring coupling
Z 119.053	Spring coupling height 19.1 mm
Z 119.070	Spring coupling height 29.1 mm
Z 119.072	Spring coupling for encoders with ø58 mm housing, hole distance 73 mm
Z 119.073	Spring coupling for encoders with ø58 mm housing, hole distance 68 mm
Z 119.076	Spring coupling for encoders with ø58 mm housing
Z 119.082	Spring coupling for encoders with ø58 mm housing, hole distance 63 mm

Programming accessories (page %S)

Z 150.022	CD with describing files & manuals
-----------	------------------------------------

Absolute encoders - modular bus covers

multivo: stainless steel housing with hollow shaft

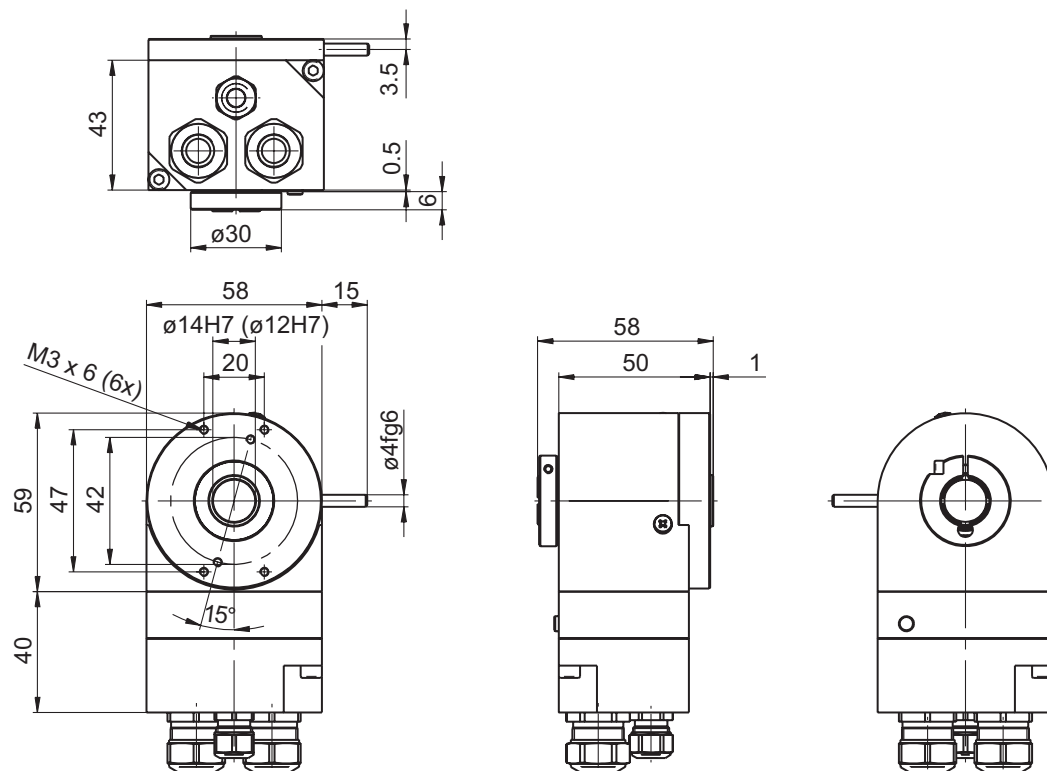
Multiturn encoder 13 bit ST / 16 bit MT

CANopen / DeviceNet / Profibus

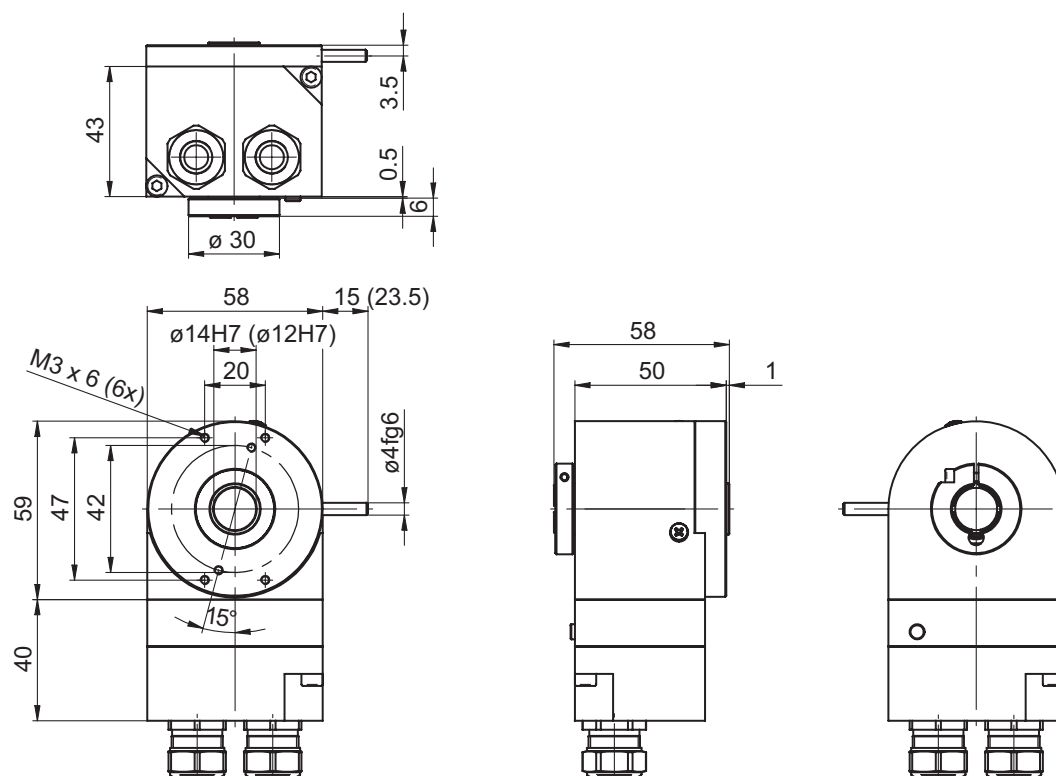
GEMMH - multivo

Dimensions

GEMMH CANopen, Profibus-DP



GEMMH DeviceNet



Absolute encoders - modular bus covers

multivo: stainless steel housing with hollow shaft

Multiturn encoder 13 bit ST / 16 bit MT

CANopen / DeviceNet / Profibus

GEMMH - *multivo*
