

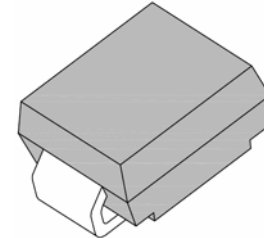
3.0A Surface Mount Sintered Glass Passivated Rectifier

GF3AB - GF3MB

3.0A Surface Mount Sintered Glass Passivated Rectifier

Features

- Sintered glass passivated (SGP) rectifier chip
- Glass passivated cavity-free junction
- High forward surge current capability
- Plastic package has underwriters laboratory flammability classification 94V-0
- High temperature soldering: 260 °C / 10 seconds at terminals
- RoHS compliant



**SMB
(DO-214AA)**



Mechanical Data

Case:	JEDEC SMB(DO-214AA) molded plastic
Terminals:	Solder plated solderable per MIL-STD-750, Method 2026
Polarity:	Cathode end indicated by color band
Weight:	0.004 Ounce, 0.12 gram

Maximum Ratings & Electrical Characteristics ($T_{Ambient}=25^{\circ}C$ unless noted)

Symbol	Description	GF3AB	GF3BB	GF3DB	GF3GB	GF3JB	GF3KB	GF3MB	Unit	Conditions
	Marking Code	GF3A	GF3B	GF3D	GF3G	GF3J	GF3K	GF3M		
VRRM	Max. Recurrent Peak Reverse Voltage	50	100	200	400	600	800	1000	V	
VRMS	Max. RMS Voltage	35	70	140	280	420	560	700	V	
VDC	Max. DC Blocking Voltage	50	100	200	400	600	800	1000	V	
IF(AV)	Max. Average Rectified Current	3.0							A	
IFSM	Peak Forward Surge Current	115							A	
VF	Max. Instantaneous Forward Voltage	1.0							V	IF=3.0A
IR	Max. DC Reverse Current at Rated DC Blocking Voltage	5							μA	TA=25 °C
		50								TA=125 °C
		100								TA=150 °C
CJ	Typical Junction Capacitance	40							pF	
Rθ-JA	Max. Thermal Resistance	47							° C/W	
Rθ-JL		13								
TJ,TSTG	Operating Junction and Storage Temperature Range	-65 to 175							° C	

3.0A Surface Mount Sintered Glass Passivated Rectifier

GF3AB - GF3MB

Typical Characteristics Curves

Fig.1- Forward Current Derating Curve

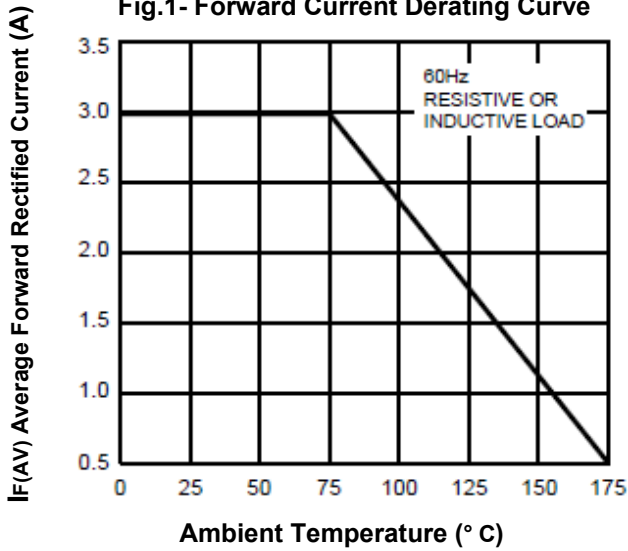


Fig.2-Max. Non-Repetitive Forward Surge Current

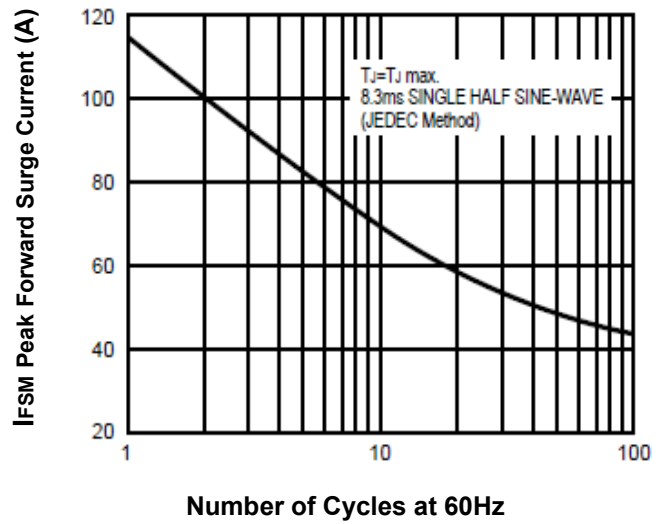


Fig.3- Typical Instantaneous Forward Characteristics

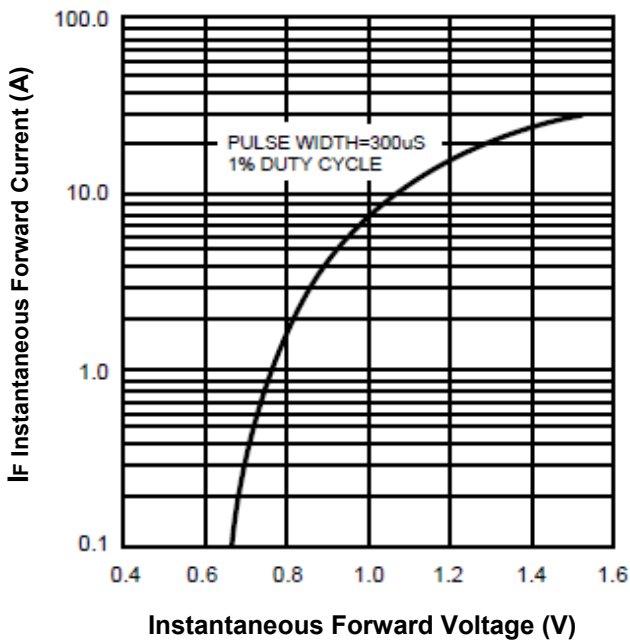
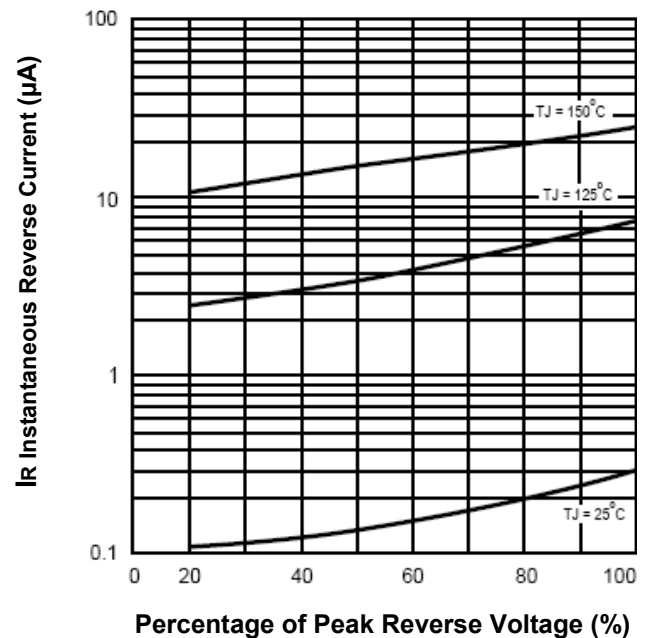


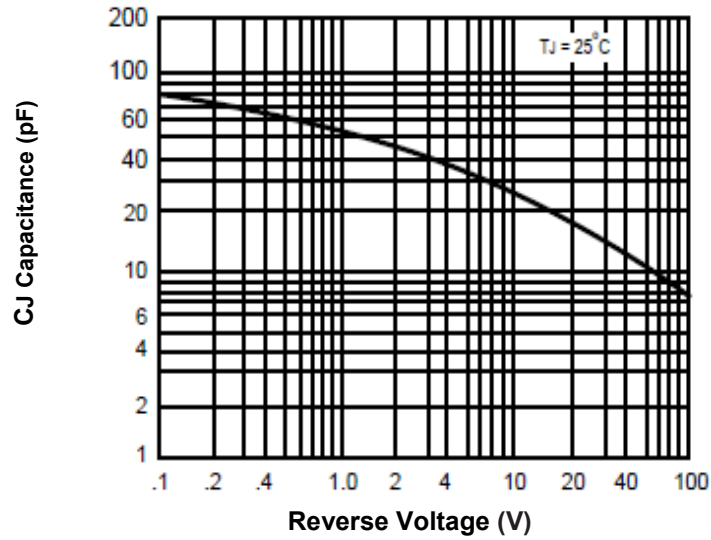
Fig.4- Typical Reverse Characteristics



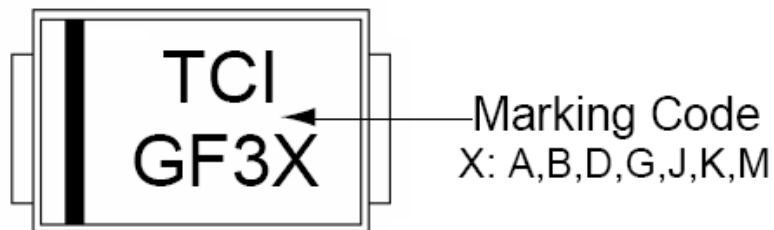
3.0A Surface Mount Sintered Glass Passivated Rectifier

GF3AB - GF3MB

Fig.5- Junction Capacitance



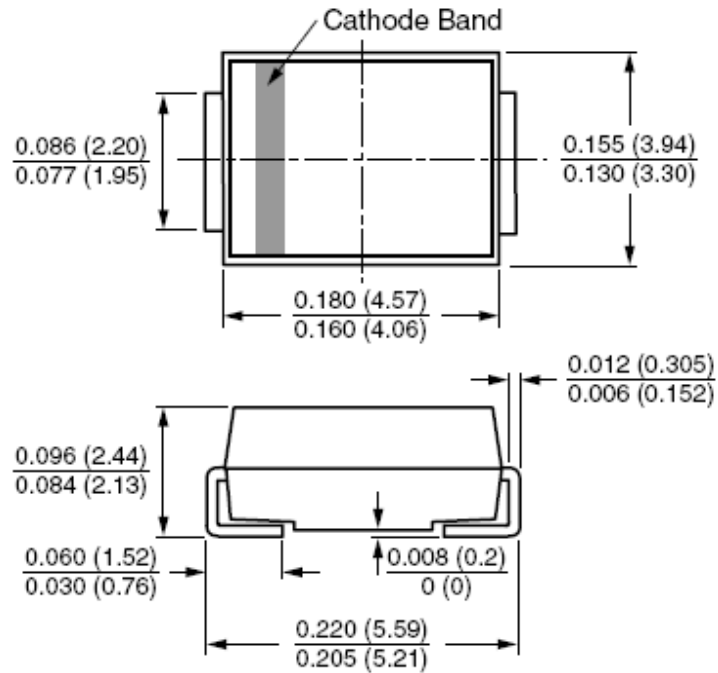
Marking Information:



3.0A Surface Mount Sintered Glass Passivated Rectifier

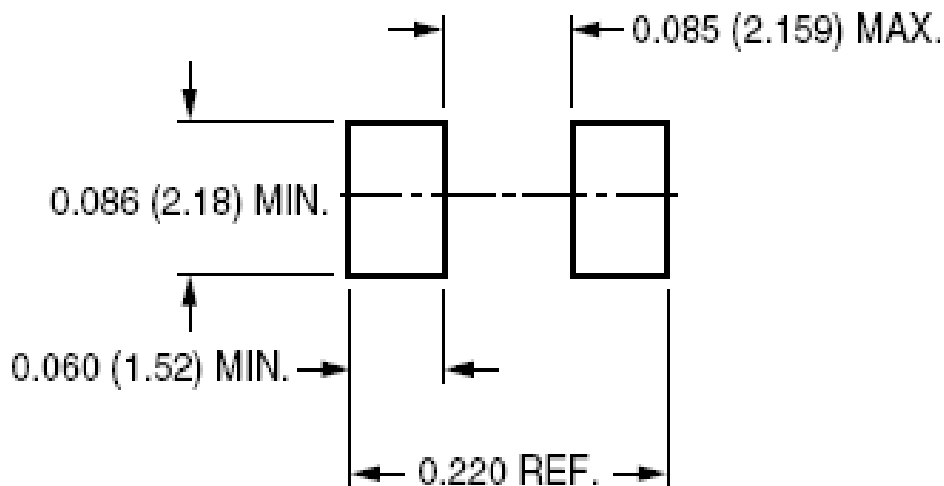
GF3AB - GF3MB

Dimensions in inch (mm)



**DO-214AA
(SMB)**

Mounting Pad Layout in inch (mm)



3.0A Surface Mount Sintered Glass Passivated Rectifier

GF3AB - GF3MB

How to contact us:

US HEADQUARTERS

28040 WEST HARRISON PARKWAY, VALENCIA, CA 91355-4162

Tel: (800) TAITRON (800) 824-8766 (661) 257-6060

Fax: (800) TAITFAX (800) 824-8329 (661) 257-6415

Email: taitron@taitroncomponents.com

Http://www.taitroncomponents.com

TAITRON COMPONENTS MEXICO, S.A .DE C.V.

BOULEVARD CENTRAL 5000 INTERIOR 5 PARQUE INDUSTRIAL ATITALAQUIA, HIDALGO C.P.
42970 MEXICO

Tel: +52-55-5560-1519

Fax: +52-55-5560-2190

TAITRON COMPONENTS INCORPORATED REPRESENTAÇÕES DO BRASIL LTDA

RUA DOMINGOS DE MORAIS, 2777, 2.ANDAR, SALA 24 SAÚDE - SÃO PAULO-SP 04035-001 BRAZIL

Tel: +55-11-5574-7949

Fax: +55-11-5572-0052

TAITRON COMPONENTS INCORPORATED, SHANGHAI REPRESENTATIVE OFFICE

METROBANK PLAZA, 1160 WEST YAN' AN ROAD, SUITE 1503, SHANGHAI, 200052, CHINA

Tel: +86-21-5424-9942

Fax: +86-21-5424-9931