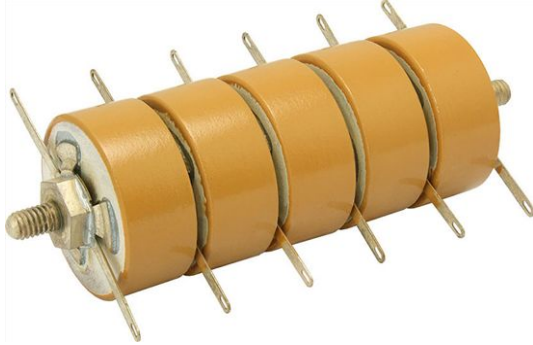


High Voltage Ceramic Capacitor Stacks, with Solder Tags, Class 2 Ceramic



QUICK REFERENCE DATA		
DESCRIPTION	VALUE	
Ceramic Class	2	2
Ceramic Dielectric	R4000	R6000
Type	GFMM2505, GFMM2507	GFMM2505, GFMM2507
Voltage (V_{DC})	19 000	11 000
Min. Capacitance (pF)	1300	2200
Max. Capacitance (pF)	1300	2200
Mounting	Solder tags	

MATERIAL

Capacitor elements made from class 2 ceramic dielectric with noble metal electrodes.

Connection terminals between the discs: brass, silver plated

FINISH

Insulating rims of the disc protective lacquered.

OPTIONAL TERMINALS

We offer a variety of intermediate solder tags to meet customers requirements. Please contact us.

FEATURES

- High voltage ratings
- Multiple design up to 7 stages
- Other versions on request

APPLICATIONS

Ceramic capacitor stacks have been developed for use in low power voltage multipliers used in high voltage DC generators. The major applications are x-ray equipment for medical diagnostics or electrostatic paint spraying equipment.

CAPACITANCE RANGE

1.3 nF to 2.2 nF

CAPACITANCE TOLERANCE

- - 10 % / + 50 %
- - 10 % / + 60 %

CERAMIC DIELECTRIC

- R4000 (Y5U)
- R6000 (Y5U)

RATED VOLTAGE

- 11 kV_{DC} per single disc
- 19 kV_{DC} per single disc

DIELECTRIC STRENGTH TEST

- 15 kV_{DC} per single disc, in dielectric fluid
- 25 kV_{DC} per single disc, in dielectric fluid

DISSIPATION FACTOR

Max. 2.5 % (1 kHz)

INSULATION RESISTANCE

Min. 10 G Ω (at 25 °C)

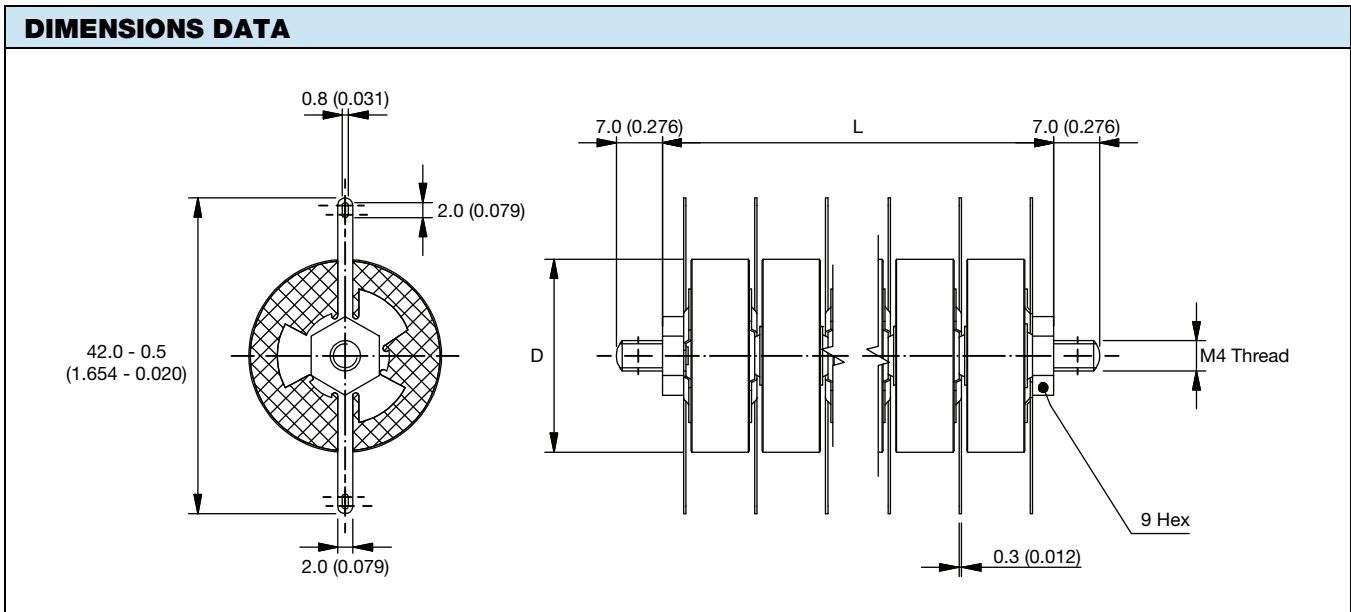
OPERATING TEMPERATURE RANGE

-25 °C to +85 °C

SAP PART NUMBER AND ELECTRICAL DATA							
PART NUMBER	CERAMIC	CAPACITANCE VALUES ⁽¹⁾ (pF)	RATED VOLTAGE ⁽¹⁾⁽²⁾ (kV _{DC})	TEST VOLTAGE ⁽¹⁾⁽³⁾ (kV _{DC})	NO. OF DISC IN SERIES	L _{MAX.} mm (INCH)	D _{MAX.} mm (INCH)
RHS1N3096BTZGY5998	R4000 (Y5U)	1300	19	25	5	70 (2.76)	27 (1.06)
RHS1N3096BTZGZ5999		- 10 % / + 50 %			7	93 (3.66)	
RHS1N3049BTZGT5994		1300			5	70 (2.76)	
RHS1N3049BTZBU5564		- 10 % / + 60 %			7	93 (3.66)	
RHS2N2096WEZGU5224	R6000 (Y5U)	2200	11	15	5	55 (2.17)	
RHS2N2096WEZGW5996		- 10 % / + 50 %			7	75 (2.95)	
RHS2N2049WEZGV5995		2200			5	55 (2.17)	
RHS2N2049WEZGX5997		- 10 % / + 60 %			7	75 (2.95)	

Notes

- (1) Per single disc
- (2) In an insulating environment
- (3) Min. 3 s in dielectric fluid



RELATED DOCUMENTS	
General Information	www.vishay.com/doc?22090



Disclaimer

ALL PRODUCT, PRODUCT SPECIFICATIONS AND DATA ARE SUBJECT TO CHANGE WITHOUT NOTICE TO IMPROVE RELIABILITY, FUNCTION OR DESIGN OR OTHERWISE.

Vishay Intertechnology, Inc., its affiliates, agents, and employees, and all persons acting on its or their behalf (collectively, "Vishay"), disclaim any and all liability for any errors, inaccuracies or incompleteness contained in any datasheet or in any other disclosure relating to any product.

Vishay makes no warranty, representation or guarantee regarding the suitability of the products for any particular purpose or the continuing production of any product. To the maximum extent permitted by applicable law, Vishay disclaims (i) any and all liability arising out of the application or use of any product, (ii) any and all liability, including without limitation special, consequential or incidental damages, and (iii) any and all implied warranties, including warranties of fitness for particular purpose, non-infringement and merchantability.

Statements regarding the suitability of products for certain types of applications are based on Vishay's knowledge of typical requirements that are often placed on Vishay products in generic applications. Such statements are not binding statements about the suitability of products for a particular application. It is the customer's responsibility to validate that a particular product with the properties described in the product specification is suitable for use in a particular application. Parameters provided in datasheets and / or specifications may vary in different applications and performance may vary over time. All operating parameters, including typical parameters, must be validated for each customer application by the customer's technical experts. Product specifications do not expand or otherwise modify Vishay's terms and conditions of purchase, including but not limited to the warranty expressed therein.

Except as expressly indicated in writing, Vishay products are not designed for use in medical, life-saving, or life-sustaining applications or for any other application in which the failure of the Vishay product could result in personal injury or death. Customers using or selling Vishay products not expressly indicated for use in such applications do so at their own risk. Please contact authorized Vishay personnel to obtain written terms and conditions regarding products designed for such applications.

No license, express or implied, by estoppel or otherwise, to any intellectual property rights is granted by this document or by any conduct of Vishay. Product names and markings noted herein may be trademarks of their respective owners.