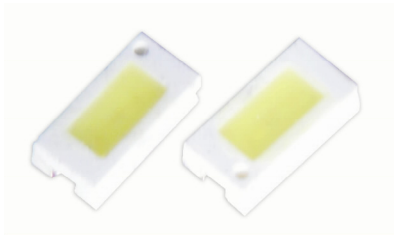


CERAMIC BASIC TYPE HIGH-PERFORMANCE LEDS



GH-3216 Series

For Reflow Soldering

NOTES: 1. All dimensions are in millimeters (inches);
 2. Tolerances are $\pm 0.2\text{mm}$ (.008 inch) unless otherwise noted;
 3. Resin color: water clear.

■ Absolute Maximum Ratings

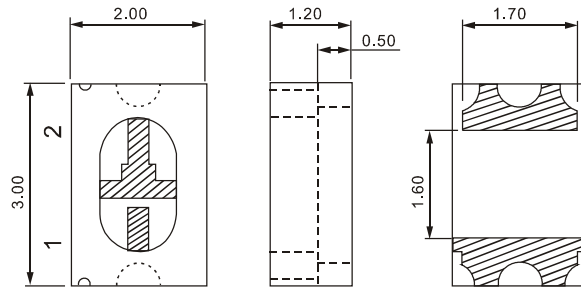
	UNIT	SPEC.
IF	mA	30
IFP	mA	120
VR	V	5
Topr	°C	-20 ~ +80
Tstg	°C	-20 ~ +100

Part No.	Material	Emitted Color	V _f (V)		λ (nm)		I _v (mcd)
			Typ.	Max.	λ _d	λ _p	Typ.
RS3216TC-DPG	AlGaInP	Red	1.90	2.40	631	640	60
OL3216TC-DPG	AlGaInP	Orange	1.90	2.40	624	635	77
AL3216TC-DPG	AlGaInP	Amber	1.90	2.40	595	600	86
YV3216TC-DPE	AlGaInP	Yellow	2.00	2.50	593	595	66
GB3216TC-DPG	AlGaInP	Green	2.10	2.60	578	575	43
GE3216TC-IPG	InGaN	Green	3.20	3.80	527	525	138
BJ3216TC-JPH	GaN	Blue	3.40	4.00	465	460	41
BV3216TC-EPC	GaN/SiC	Blue	4.00	4.50	465	430	9

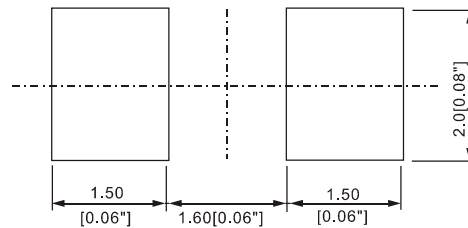
CERAMIC BASIC TYPE HIGH-PERFORMANCE LEDS



GH-3020 Series



For Reflow Soldering



NOTES: 1. All dimensions are in millimeters (inches);
 2. Tolerances are $\pm 0.2\text{mm}$ (.008inch) unless otherwise noted;
 3. Resin color: water clear.

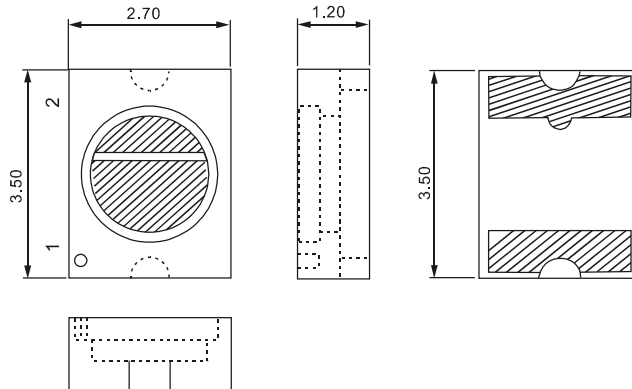
■ Absolute Maximum Ratings

	UNIT	SPEC.
IF	mA	30
IFp	mA	120
VR	V	5
Topr	°C	-20 ~ +80
Tstg	°C	-20 ~ +100

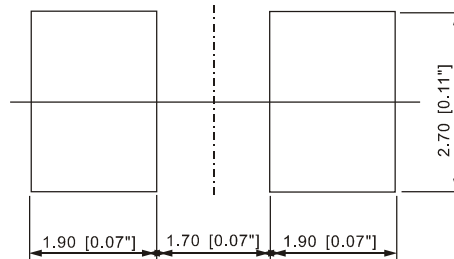
Part No.	Material	Emitted Color	V _f (V)		λ (nm)		I _v (mcd)
			Typ.	Max.	λ _d	λ _p	Typ.
RS3020TC-DPG	AlGaInP	Red	1.90	2.40	631	640	60
OL3020TC-DPG	AlGaInP	Orange	1.90	2.40	624	635	77
AL3020TC-DPG	AlGaInP	Amber	1.90	2.40	595	600	86
YV3020TC-DPE	AlGaInP	Yellow	2.00	2.50	593	595	66
GB3020TC-DPG	AlGaInP	Green	2.10	2.60	578	575	43
GE3020TC-IPG	InGaN	Green	3.20	3.80	527	525	138
BJ3020TC-JPH	GaInN	Blue	3.40	4.00	465	460	41
BV3020TC-EPC	GaN/SiC	Blue	4.00	4.50	465	430	9

CERAMIC BASIC TYPE HIGH-PERFORMANCE LEDs

GH-3527 Series



For Reflow Soldering



NOTES: 1. All dimensions are in millimeters (inches);
 2. Tolerances are $\pm 0.2\text{mm}$ ($.008\text{inch}$) unless otherwise noted;
 3. Resin color: water clear.

Absolute Maximum Ratings

	UNIT	SPEC.
IF	mA	30
IFp	mA	120
VR	V	5
Topr	°C	-20 ~ +80
Tstg	°C	-20 ~ +100

Part No.	Material	Emitted Color	V _f (V)		λ (nm)		I _v (mcd)
			Typ.	Max.	λ _d	λ _p	Typ.
RS3527TC-DPG	AlGaInP	Red	1.90	2.40	631	640	60
OL3527TC-DPG	AlGaInP	Orange	1.90	2.40	624	635	77
AL3527TC-DPG	AlGaInP	Amber	1.90	2.40	595	600	86
YV3527TC-DPE	AlGaInP	Yellow	2.00	2.50	593	595	66
GB3527TC-DPG	AlGaInP	Green	2.10	2.60	578	575	43
GE3527TC-IPG	InGaN	Green	3.20	3.80	527	525	138
BJ3527TC-JPH	GaInN	Blue	3.40	4.00	465	460	41
BV3527TC-EPC	GaN/SiC	Blue	4.00	4.50	465	430	9