

TO :

DATE : 2001.04.23

GREEN C&C TECH
2nd FL,898-45,Hogye-Dong,Dongan-Ku
Anyang,Kyungki-Do, Korea
TEL : 82-31-458-9105,9163
FAX : 82-31-458-9135

DOCUMENTATION FOR APPROVAL

PRODUCT : CCFL BACKLIGHT INVERTER

MODEL NAME : GH006

GCCT NAME : GCCT006A

APPROVAL	CHECKED	WRITTEN

PLEASE RETURN TWO DOCUMENT AFTER APPROVED SIGN.

--

GREEN C&C TECH	INVERTER SPECIFICATION (GH006)	R&D DATE : 2001.04.23
---------------------------	---	--------------------------

1. APPLICATION

This Document Specified The Detailed Product Requirements of Inverter GH006

2. SUITABLE LOAD

LCD MODULE : 1LAMP TFT LCD

3. ELECTRICAL CHARACTERISTICS

3-1. Absolute Maximum Ratings

ITEM	SYMBOL	SPEC	UNIT	REMARKS
INPUT VOLTAGE1	Vin1	8.5 20	V	
INPUT VOLTAGE2	Vin2	5.0	V	
OPERATING TEMPERATURE	Top	0 50		
STORAGE TEMPERATURE	Tstg	-20 75		
RELATIVE HUMIDITY	RH	90	%	

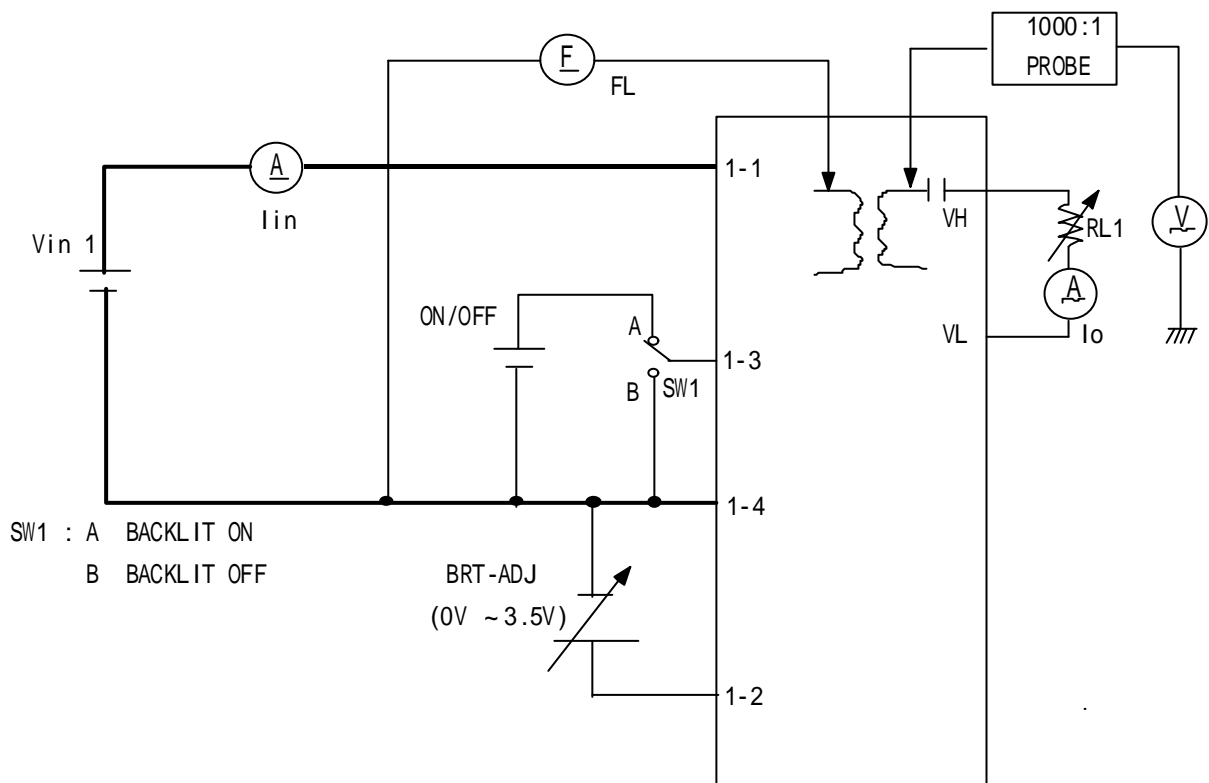
3-2. Control Signal

PIN NO.	SYMBOL	STATUS	ACTION	REMARKS
CN1 #3	BKLT_ON	HIGH	LAMP(CCFL)-ON	2.4~5.25V
		LOW	LAMP(CCFL)-OFF	0.8V MAX

GREEN C&C TECH	INVERTER SPECIFICATION (GH006)	R&D DATE : 2001.04.23
----------------	---	--------------------------

3-3. Output Characteristics

ITEM	SYMBOL	CONDITION		SPECIFICATION			UNIT
		Vin1(V) (DC-IN)	BRT-ADJ [V]	MIN	TYP	MAX	
OUTPUT CURRENT	Io(max)	8.5~20	0V	5.5	6.0	6.5	mArms
	Io(min)	8.5~20	3.5V	1.0	1.5	2.0	mArms
INPUT CURRENT	Iin	12	0V	-	330	365	mADC
FREQUENCY	FL	12	0V	43	48	53	KHz
OPEN OUTPUT VOLTAGE	Vo	8.5~20	-	1.2	1.35	1.7	kVrms



GREEN C&C TECH	INVERTER SPECIFICATION (GH006)	R&D DATE : 2001.04.23
---------------------------	---	--------------------------

4. INTERFACE

4.1 CN1 Connector 53261-0490(MOLEX) or Equivalent

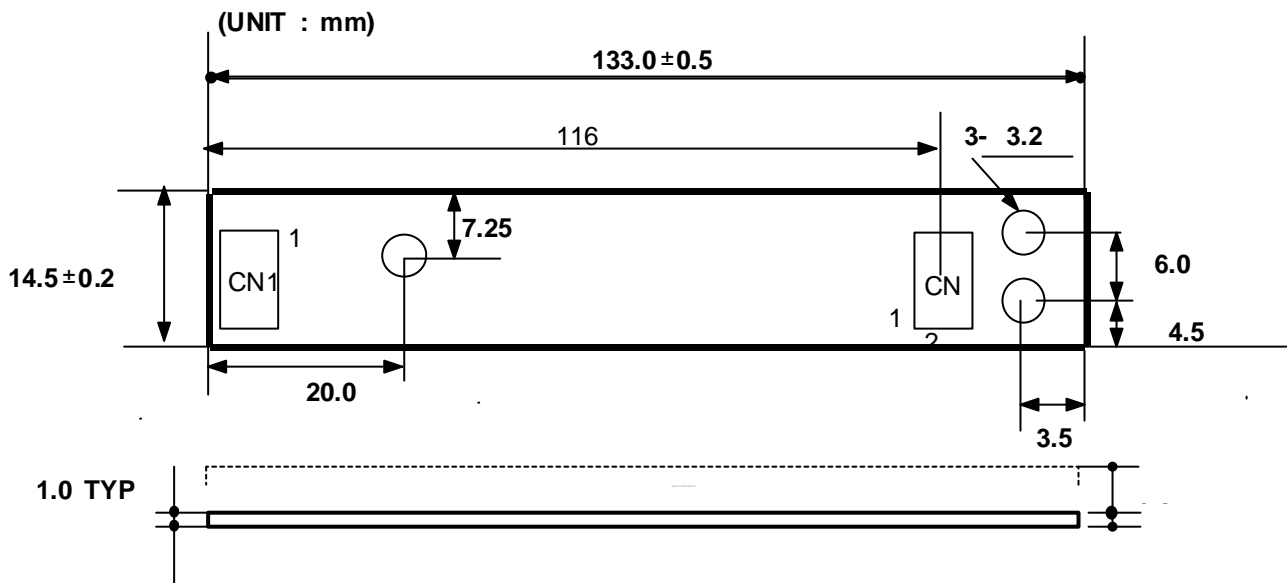
PIN NO	SYMBOL	REMARK
1	DC_IN	INVERTER INPUT POWER
2	BRT-ADJ	0V I _o MAX 3.5V I _o MIN
3	BACKLIT-ON	CCFL ON/OFF SIGAL
4	GND	GND

4.2. CN2 Connector : SM02(8.0)-BHS-TP(JST) or Equivalent

PIN NO.	SYMBOL	REMARKS
1	VH	HIGH
2	VL	LOW

GREEN C&C TECH	INVERTER SPECIFICATION (GH006)	R&D DATE : 2001.04.23
----------------	---	--------------------------

5. APPEARANCE (UNIT : mm)



6. NOTATION OF LOT NUMBER

MARKING : BOTTOM OF PCB.

GH006
YYWWMMM

GH006 : MODEL NAME

YY : YEAR OF PRODUCT '00,'01,...'98,'99

WW : WEEK OF PRODUCT 01,02,03,04,...52

MMMM : SERIAL NUMBER 0001,0002.....9998,9999