



Specification

GH140A(A1)

Version June 2009

NO	DATE	REVISION	PAGE
1	2009.06.29	PCB vendor changed. WONKYUNG, JOONGWON, SEENDUCK, RAMI, → WONKYUNG, JOONGWON, SONGDO, SEOKANG, BACKSONG FUSE vendor added. COOPER BUSSMAN : 6215FF4-R FET parts added. AP4506GEM : APEC , APM4548AKC : ANPEC AO4614B : AOS	7,8
REVISION HISTORY			

REV.											
Page											
REV.	0	0									
Page	12	13									
REV.	1	0	0	0	0	0	1	1	0	0	0
Page	1	2	3	4	5	6	7	8	9	10	11

1. APPLICATION

This Document Specified The Detailed Product Requirements of Inverter
GH140A(A1)

2. SUITABLE LOAD

LCD MODULE : SAMSUNG 15", 17" 4LAMP TFT LCD

3. ELECTRICAL CHARACTERISTICS

3-1. Absolute Maximum Ratings

ITEM	SYMBOL	SPEC	UNIT	REMARKS
INPUT VOLTAGE1	Vin1	10.8~13.2	V	
INPUT VOLTAGE2	Vin2	4.9~5.1	V	
OPERATING TEMPERATURE	Top	0~60	°C	
STORAGE TEMPERATURE	Tstg	-30~80	°C	
RELATIVE HUMIDITY	RH	90	%	

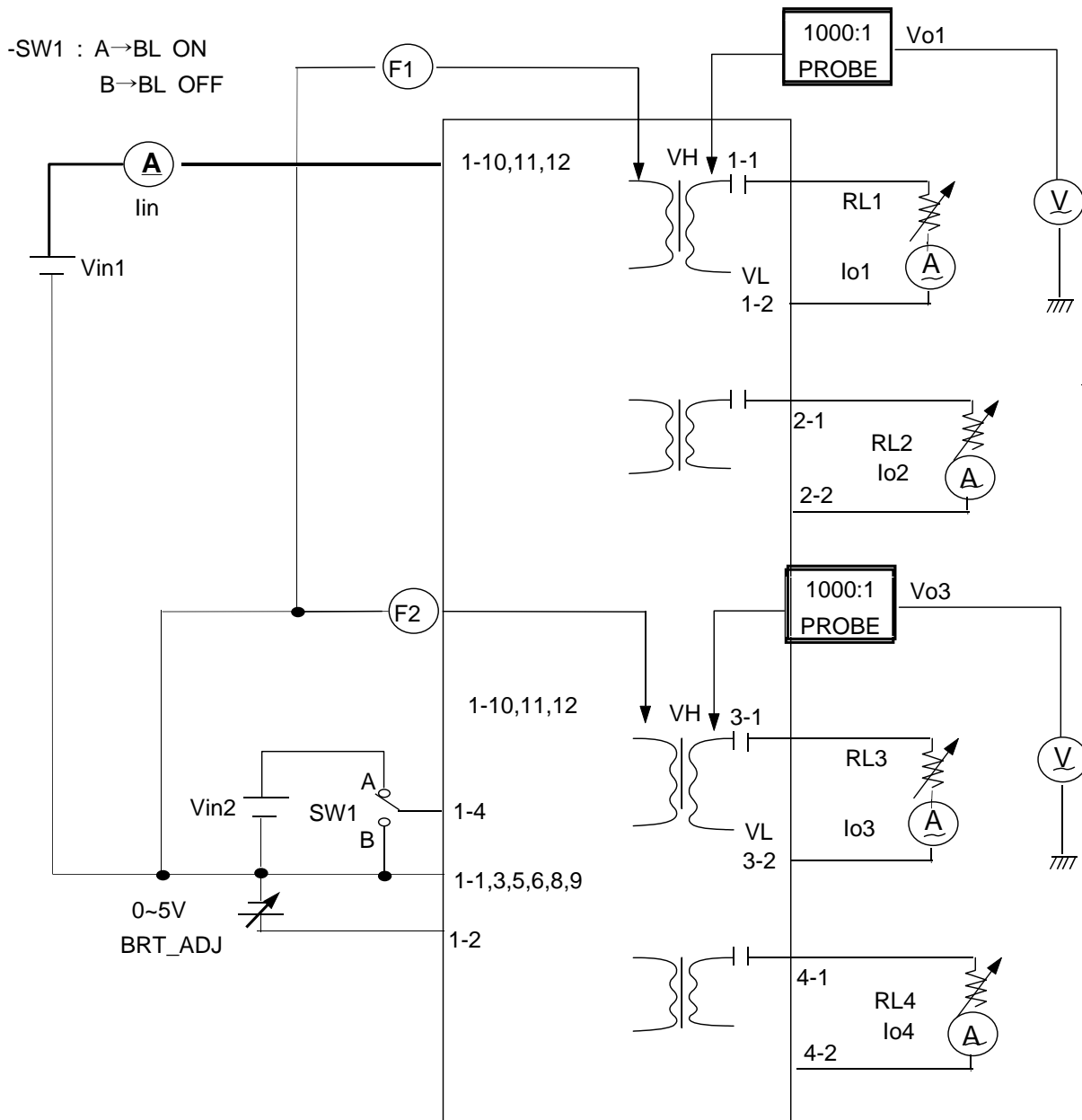
3-2. Control Signal

PIN NO.	SYMBOL	STATUS	ACTION	REMARKS
CN1 #4	BKLT_ON	HIGH	LAMP(CCFL)-ON	2.4~5.25V
		LOW	LAMP(CCFL)-OFF	0.8V MAX

4. Output Characteristics

ITEM	SYMBOL	CONDITION			SPECIFICATION			UNIT
		Vin1(V) (DC-IN)	BRT- ADJ	RL(k Ω)	MIN	TYP	MAX	
OUTPUT CURRENT	Io1,2(max)	12	0V	LAMP	6.5	7.0	7.5	mArms
	Io1,2(min)	12	5V	LAMP	3.5	4.0	4.5	
	Io3,4(max)	12	0V	LAMP	6.5	7.0	7.5	
	Io3,4(min)	12	5V	LAMP	3.5	4.0	4.5	
INPUT CURRENT	Iin	12	0V	LAMP	1.4	1.9	2.4	ADC
FREQUENCY	F	12	0V	LAMP	40	43	48	KHz

5. Test Circuit



6. INTERFACE

6.1.1 CN1 CONNECTOR : 12505WR-12A(P)(YEONHO) / Equivalent

PIN NO	SYMBOL	REMARK
2	BRT_ADJ	0 ~ 5V
1,3,5,6,8,9	GND	GND
4	BL ON/OFF	CCFL Drive SIGNAL(Active HIGH)
7	N.C	
10,11,12	DC-IN(Vin)	DC INPUT Power (12V)

6.1.2 CN2 CONNECTOR : 35001WR-02L(P)(YEONHO) / Equivalent

PIN NO.	SYMBOL	REMARK
1	HOT	HIGH
2	COLD	LOW

6.1.3 CN3 CONNECTOR : 35001WR-02L(P)(YEONHO) / Equivalent

PIN NO.	SYMBOL	REMARK
1	HOT	HIGH
2	COLD	LOW

6.1.4 CN4 CONNECTOR : 35001WR-02L(P)(YEONHO) / Equivalent

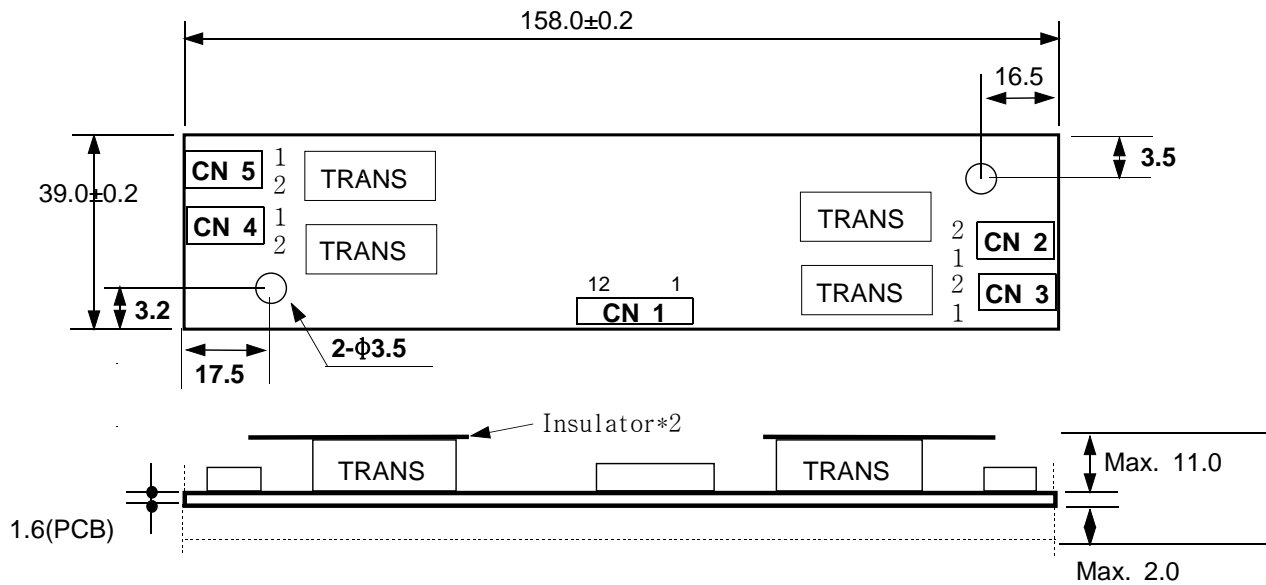
PIN NO.	SYMBOL	REMARK
1	HOT	HIGH
2	COLD	LOW

6.1.5 CN5 CONNECTOR : 35001WR-02L(P)(YEONHO) / Equivalent

PIN NO.	SYMBOL	REMARK
1	HOT	HIGH
2	COLD	LOW

7. APPEARANCE (UNIT : mm)

(TOLERANCE: ±0.2mm)



8. NOTATION OF LOT NUMBER

MARKING : BOTTOM OF PCB.



GH140A(A1)	: USER MODEL CODE
G	: MANUFACTURER CODE (GREEN C&C TECH.)
7	: YEAR OF PRODUCT 7 → 2007 , 8 → 2008 , ... , 1 → 2011
04	: WEEK OF PRODUCT 01,02,03,04,...52
0001	: SERIAL NUMBER 0001,0002.....9998,9999
AD	: GCCT MODEL CODE (GCCT140AD)



Data Modul Headquarters Munich
Landsberger-Str. 322
D-80687 Munich - Germany
Tel.: +49-89-56017-0

Sales Office Duesseldorf
Fritz-Vomfelde-Str. 8
D-40547 Duesseldorf - Germany
Tel.: +49-211-52709-0



Sales Office Hamburg
Borsteler Chaussee 51
D-22453 Hamburg - Germany
Tel.: +49-40-42947377 - 0



Data Modul France, S.A.R.L.
Bat B - Hall 204
1-3 Rue des Campanules
77185 Lognes - France
Tel.: +33-1-60378100



Data Modul Italia, S.r.l.
Regus Center Senigallia
Via Senigallia 18/2
20161 Milano - Italy
Tel.: +39-02-64672-509

Data Modul Iberia, S.L.
c/ Adolfo Pérez Esquivel 3
Edificio Las Americas III Oficiana 40
28230 Parque Empresarial
Madrid Las Rozas - Spain
Tel.: +34-916 366 458



Data Modul Ltd. / UK
Collins Building
3 Vigo Place - Aldridge - Walsall - WS9 8UG
United Kingdom
Tel.: +44-121-698-8641

Data Modul Inc. / USA
275 Marcus Blvd, Unit K
Hauppauge, NY 11788
USA
Tel.: (631) 951 0800