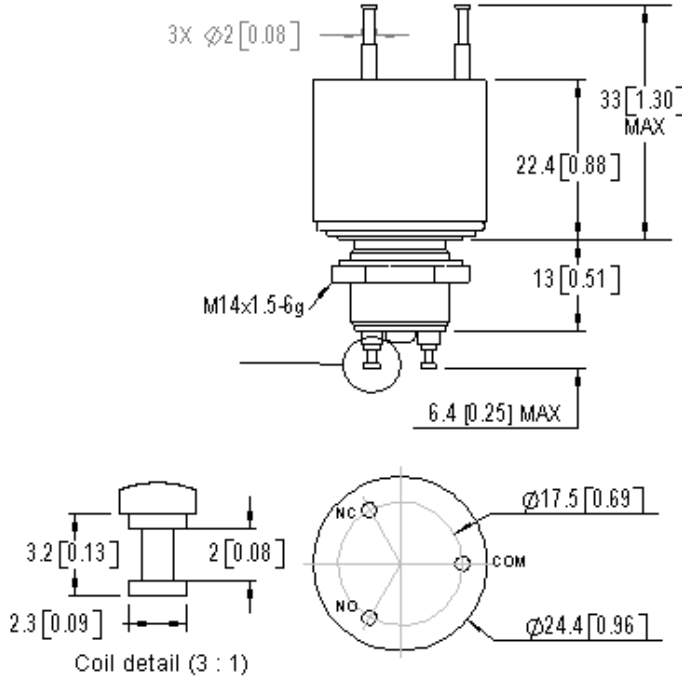


# GH2 - GH4 - GH6

# 8 kV

GH2: No Load Switching - GH4: Make & Break Load Switching - GH6: Make Only Load Switching  
 RoHS Compliant, date code 0601 and later



FEATURES	
<b>GH 8kV SERIES</b>	
<ul style="list-style-type: none"> <li>Easy to mount threaded base with jam nut</li> <li>User interchangeable coils provide for driver versatility</li> <li>Meets or exceeds standards set in MIL-R-83725</li> </ul>	
<b>GH2 - No Load Switching</b>	
<ul style="list-style-type: none"> <li>Low, stable contact resistance minimizes voltage drop in sensitive circuits</li> <li>High carry current, 25Adc continuous, in a small package</li> </ul>	
<b>GH4 - Make &amp; Break Load Switching</b>	
<ul style="list-style-type: none"> <li>Durable tungsten contacts for hot load switching*</li> <li>Vacuum dielectric for effective arc quenching when opening under load*</li> </ul>	
<b>GH6 - Make Only Load Switching</b>	
<ul style="list-style-type: none"> <li>Excellent for capacitive discharge and safety dump switch applications</li> <li>Can be modified to accommodate customer specified cables and connectors</li> </ul>	

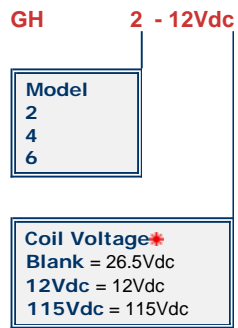
\*Consult factory for load switching apps.

PRODUCT SPECIFICATIONS				
Contact & Relay Ratings	Units	GH2	GH4	GH6
Contact Form		C	C	C
Contact Arrangement		SPDT	SPDT	SPDT
Voltage, Test Max., Contacts & to Base (15 $\mu$ A Leakage Max., dc or 60Hz)	kV Peak	10	10	10
Voltage, Operating Max., Contacts & to Base (15 $\mu$ A Leakage Max.)				
dc or 60 Hz	kV Peak	8	8	8
2.5 MHz	kV Peak	-	-	-
16 MHz	kV Peak	-	-	-
32 MHz	kV Peak	-	-	-
Current, Continuous Carry Max				
dc or 60 Hz	Amps	25	15	8
2.5 MHz	Amps	-	-	-
16 MHz	Amps	-	-	-
32 MHz	Amps	-	-	-
Coil Hi-Pot (V RMS, 60 Hz)	V	500	500	500
Capacitance				
Across Open Contacts	pF	-	-	-
Contacts to Ground	pF	-	-	-
Resistance, Contact Max @ 1A, 28Vdc	ohms	0.01	0.02	0.50
Operate Time	ms	6	6	6
Release Time	ms	6	6	6
Life, Mechanical	cycles	2 million	2 million	1 million
Weight, Nominal	g (oz)	39 (1.4)	39 (1.4)	39 (1.4)
Vibration, Operating, Sine (55-2000 Hz Peak)	G's	10	10	10
Shock, Operating, 1/2 Sine 11ms (Peak)	G's	50	50	50
Temperature Ambient Operating	$^{\circ}$ C	-55 to +125	-55 to +125	-55 to +125

COIL RATINGS			
Nominal, Volts dc	12	26.5	115
Pick-up, Volts dc, Max.	8	16	80
Drop-Out, Volts dc	.5 - 5	1 - 10	5 - 50
Coil Resistance (Ohms $\pm 10\%$ )	80	335	6000

Ratings listed are for 25 $^{\circ}$ C, sea level conditions

For more information, refer to [Relay User Instructions](#)



\*Order the relay with the coil voltage in the part number as shown above. The coil voltage will appear on the coil plate near the coil terminals rather than in the P/N on the relay.

09/06/11

