



Features

- 15A High switching Capability
- 1 Form A, 1 Form B and 1 Form C configurations
- Standard PCB layout
- Plastic sealed and flux proofed types available
- UL insulation system: Class F available
- Environmental friendly product (RoHS compliant)
- TV-8 Rating Certified
- Outline Dimensions: (20.3 x 16.5 x 20.2) mm

CONTACT DATA	
Contact arrangement	1A 1B or 1C
Contact Resistance	100mΩ
Contact material	Silver alloy
Contact rating (Res. load)	12A 277VAC
Max. switching voltage	277VAC
Max. switching current	12A
Max. switching power	3324 VA
Mechanical endurance	10,000,000 ops
Electrical endurance	100,000 ops

COIL	
Coil power	0.8W or 0.36W or 0.45W.

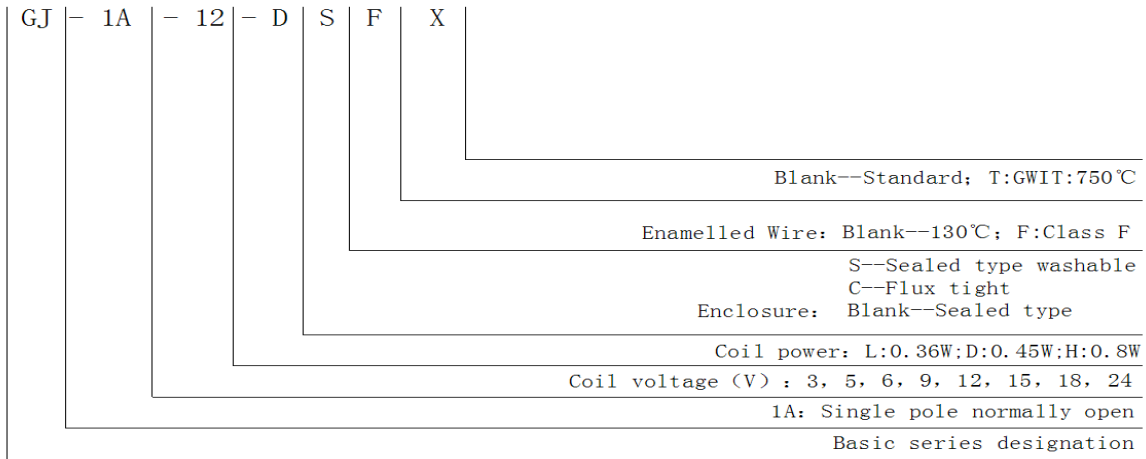
COIL DATE (AT 23°C)						
Nominal voltage (VDC)	Nominal operating current %10 (mA)	coil resistance 10% (Ω)	max allowable voltage	pick-up voltage (max)	Drop-out voltage (min)	Nominal operating power (W)
5	72	69.4	130% of nominal voltage	75% of nominal voltage	5% of nominal voltage	About 0.36
6	60	100				
9	40	225				
12	30	400				
18	20	900				
24	15	1600	130% of nominal voltage	75% of nominal voltage	5% of nominal voltage	About 0.45
48	7.5	6400				
6	75	80				
12	37.5	320				
24	18.75	1280	130% of nominal voltage	75% of nominal voltage	5% of nominal voltage	About 0.8
48	15.63	5120				
6	133.4	45				
12	66.7	180	130% of nominal voltage	75% of nominal voltage	5% of nominal voltage	About 2.5
24	45.83	720				
48	33.4	2880				
6	416.7	14.4				
12	208.4	57.6	130% of nominal voltage	75% of nominal voltage	5% of nominal voltage	About 2.5
24	104.2	230.4				
48	52.1	921.6				

CHARACTERISTICS		
Insulation resistance	1000MΩ (500VDC)	
Dielectric strength	Between coil & contacts	2500VAC 1min
	Between open contact	750VAC 1min
Operate time (at nomi. ovlt)	≤15ms	
Release time (at nomi. ovlt)	≤5ms	
Vibration resistance	Functionna	10Hz~55Hz 1.5mm
	Destructive	10Hz~55Hz 1.5mm
Shock resistance	Functionna	10G Min.
	Destructive	100G Min.
Humidity	5%~85% Rh	
Ambient temperature	-40°C~85°C	
Termination	PCB	
Unit weight	Approx 13g	

Note 1: 0.8W and 2.5W for the 0.8mm GAP products;
 Note 2: 0.8W and 2.5W no safety certification;

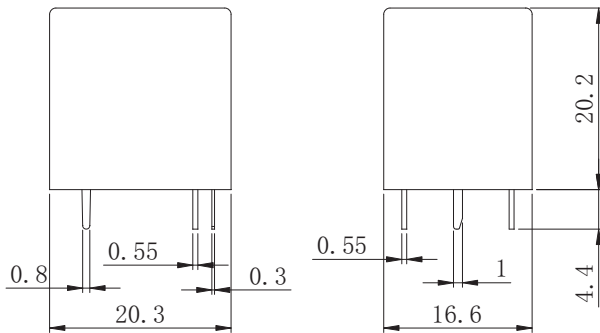
Safety Approval Ratings			
Approval	CQC	TUV	UL
File No.	CQC09002029472	R 50164189	E321783
Approval ratings	10A 250VAC	12A 277VAC cos phi=1 15A 30VDC;L/R=0ms	Form A : 125VAC 15A 120VAC TV-8 Form B : 125VAC 12A Form C : 125VAC 15A NO 120VAC TV-5 NO 125VAC 12A NC

GJ ORDERING INFORMATION

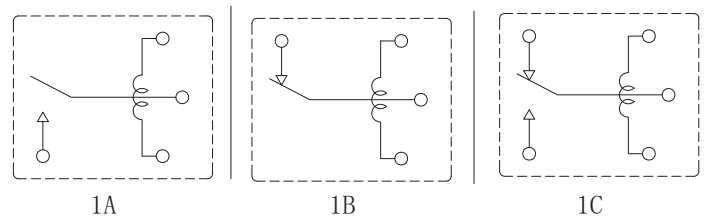


OUTLINE DIMENSIONS, WIRING DIAGRAM AND PC BOARD LAYOUT

Outline Dimensions

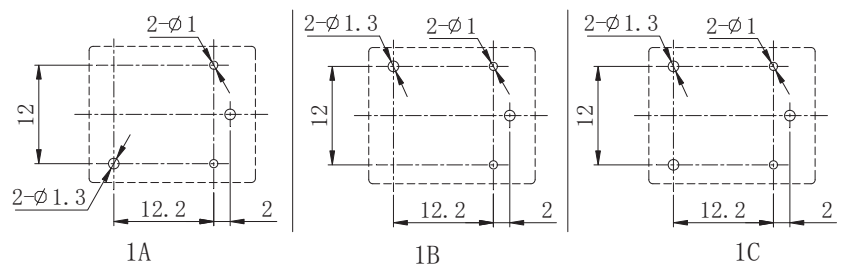


Wiring Diagram(Bottom view)



Outline dimensions hadn't specified tolerance ^o	
Outline Dimensions ^o	Tolerance ^o
≤1 ^o	±0.2 ^o
>1~5 ^o	±0.3 ^o
>5 ^o	±0.4 ^o

PCB Layout(Bottom view)



TOLERANCE: ±0.1mm

CHARACTERISTIC CURVES

